



3500 Annapolis Lane North, Minneapolis, MN 55447  
 Telephone: (763) 509-2084 Telefax: (763) 559-0108

# Unit Specification

## KE04112 Valve Drive Amplifier

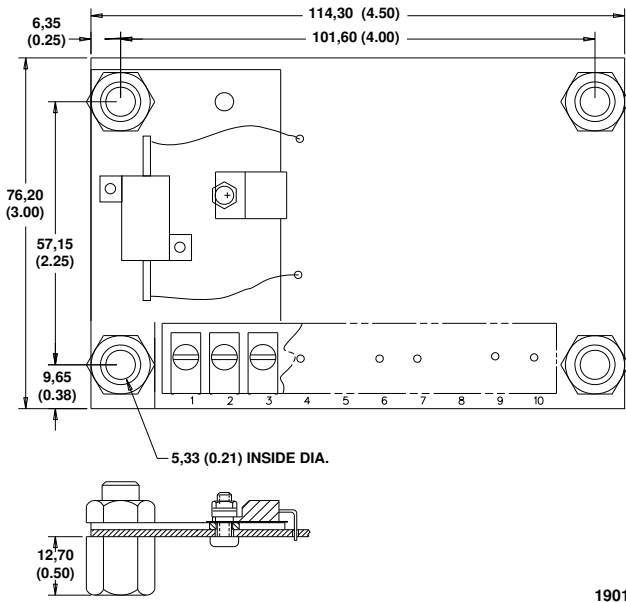
ISSUE: 2

DATE: September 1996

### GENERAL DESCRIPTION

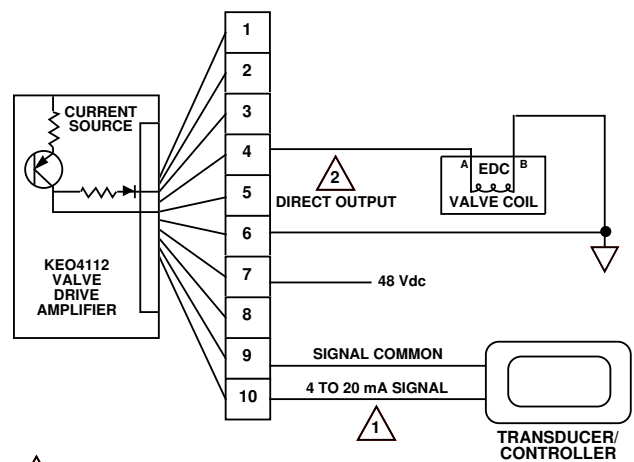
The device is a free-standing amplifier mounted on 4 stand offs. Current or voltage signal from a transducer/controller, through the amplifier, produces current to drive electrohydraulic actuators. Connections to the amplifier are via screw terminals.

### DIMENSIONS



Dimensions of the KE04112 in Millimeters (Inches).

### CONNECTION DIAGRAM



1 INPUT IMPEDANCE IS 240 OHMS

2 DIRECT OUTPUT: 200 mA AT 10 VOLTS MAXIMUM

### OUTPUT CHARACTERISTICS

SUPPLY VOLTAGE  
48 Vdc

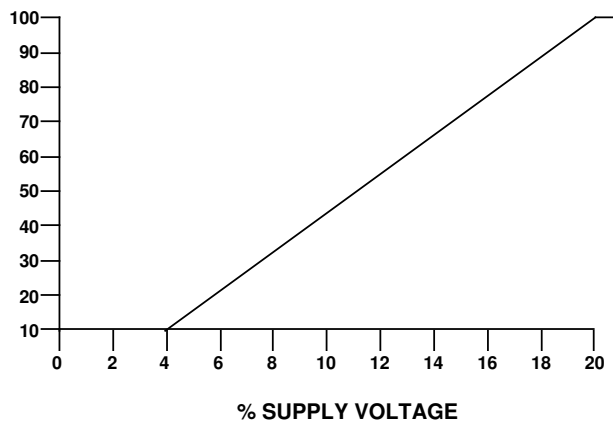
INPUT IMPEDANCE  
240 ohm

START CURRENT  
4 mA nominal (1 Volt)

FULL STROKE CURRENT  
20 mA (4.8 Volt)

OUTPUT CURRENT  
100 mA into a 25 ohm load

% MAXIMUM  
OUTPUT VOLTAGE



1651A