



# KE05

## Time Proportional Amplifier Module

BLN-95-9021-2

Issued: June 1995

### DESCRIPTION

The KE05 Time Proportional Amplifier Module provides automatic steering control on paving, curbing and planing machines. The KE05 receives a signal from an external potentiometer and outputs a control signal to a solenoid to position a screed, form or cutting drum.



### TECHNICAL DATA

#### ELECTRICAL

OPERATING VOLTAGE  
11 - 14 Vdc

OUTPUT CURRENT  
3.5 amps, maximum

STANDBY CURRENT  
100 mA, maximum

#### VOLTAGE MIDPOINT

Input null voltage shall be 4 Volts nominal when measured to the common on the PWB.

#### FREQUENCY

Within the proportional band the frequency of the output pulses is  $3 \pm 1$  Hz.

### ORDERING INFORMATION

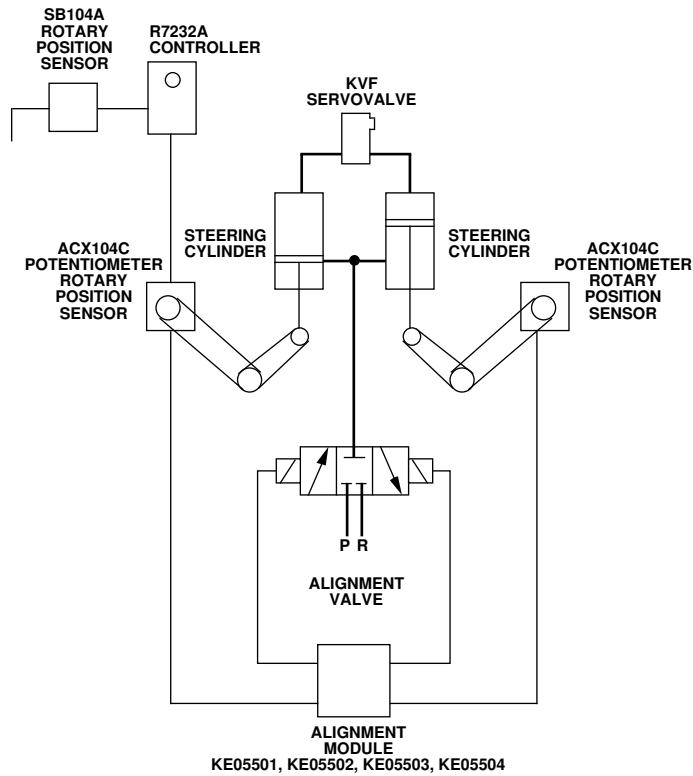
Order the KE05 per the information in Table A.

**TABLE A. INFORMATION NECESSARY TO ORDER THE KE05 AMPLIFIER.**

PART NUMBER	MAXIMUM DEADBAND (Vdc)	PROPORTIONING BAND		INPUT RATIO	GAIN	X TERM	R35,21
		TERM 5	TERM 6				
KE05501	.35	.25	.25	1:1	1X	No	100 Ohm
KE05502	.35	.25	.25	Nonlinear	1X	No	100 Ohm
KE05503	.47 (5) .25 (6)	.37	.21	2:1	1X	No	100 Ohm
KE05504	.16	.10± 50%	.10± 50%	1:1	5X	Yes	100 Ohm
KE05505	.35	.25	.25	1:1	1X	No	Jumpers
KE05506	.35	.25	.25	1:1	1X	No	100 Ohm

**NOTE:** All voltage measurements  $\pm 15\%$  unless noted otherwise. Bracketed numbers for the KE05503 refer to terminals. On the KE05506, R1 is jumpered so that summing can be done externally.

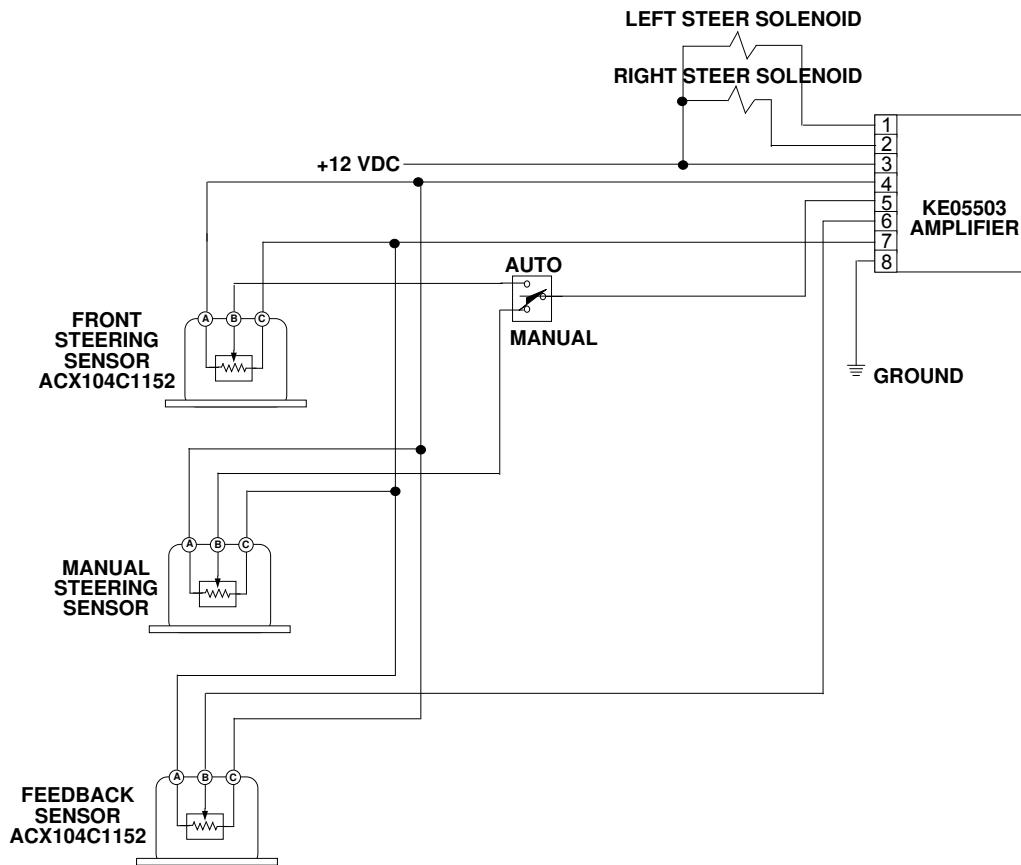
# CONNECTION DIAGRAM



— Bold lines represent hoses.

1374A

# TECHNICAL DATA



1583

## CUSTOMER SERVICE

### NORTH AMERICA

---

#### ORDER FROM

Danfoss (US) Company  
Customer Service Department  
3500 Annapolis Lane North  
Minneapolis, Minnesota 55447  
Telephone: (763) 509-2084  
Fax: (763) 559-0108

#### DEVICE REPAIR

For devices in need of repair, include a description of the problem, a copy of the purchase order and your name, address and telephone number.

#### RETURN TO

Danfoss (US) Company  
Return Goods Department  
3500 Annapolis Lane North  
Minneapolis, Minnesota 55447

### EUROPE

---

#### ORDER FROM

Danfoss (Neumünster) GmbH & Co.  
Customer Service Department  
Krokamp 35  
Postfach 2460  
D-24531 Neumünster  
Germany  
Telephone: 49-4321-8710  
Telex: (299) 708  
Fax: 49-4321-871-284