



3500 Annapolis Lane North, Minneapolis, MN 55447  
 Telephone: (763) 509-2084 Telefax: (763) 559-0108

# Unit Specification

## KE04108 Valve Drive Amplifier

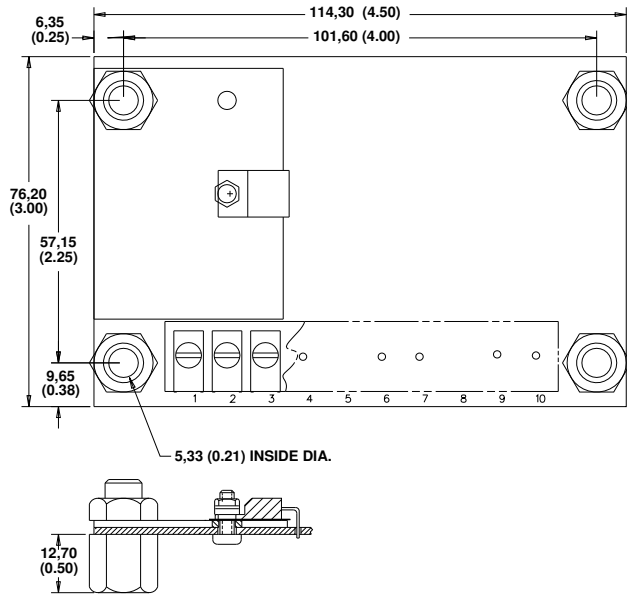
ISSUE: 4

DATE: September 1996

### GENERAL DESCRIPTION

The device is a free-standing amplifier mounted on 4 standoffs. Voltage signal from a transducer/controller, through the amplifier, produces a proportional current to drive electrohydraulic actuators. Connections to the amplifier are via screw terminals.

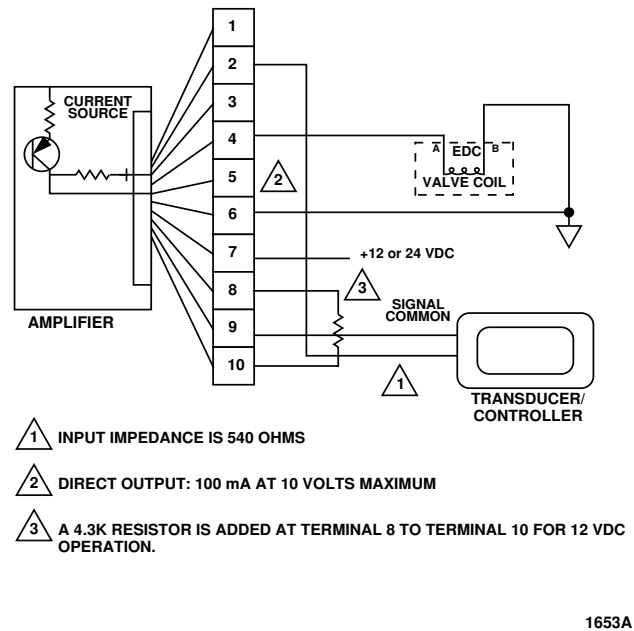
### DIMENSIONS



1647

Dimensions of the KE04108 in Millimeters (Inches).

### CONNECTION DIAGRAM



1653A

### OUTPUT CHARACTERISTICS

#### 12 VOLT OPERATION

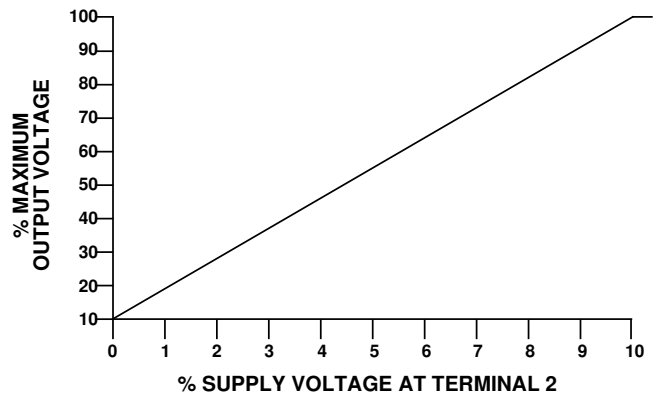
INPUT VOLTAGE  
 0 to 10 Vdc (terminal 2)

OUTPUT CURRENT  
 0-100 mA nominal into a 25 ohm load (terminal 4)

#### 24 VOLT OPERATION

INPUT VOLTAGE  
 0 to 10 Vdc (terminal 2)

OUTPUT CURRENT  
 0-110 mA nominal into a 25 ohm load (terminal 4)



1654A