



Unit Specification Sheet KE07202 Ramped Valve Driver

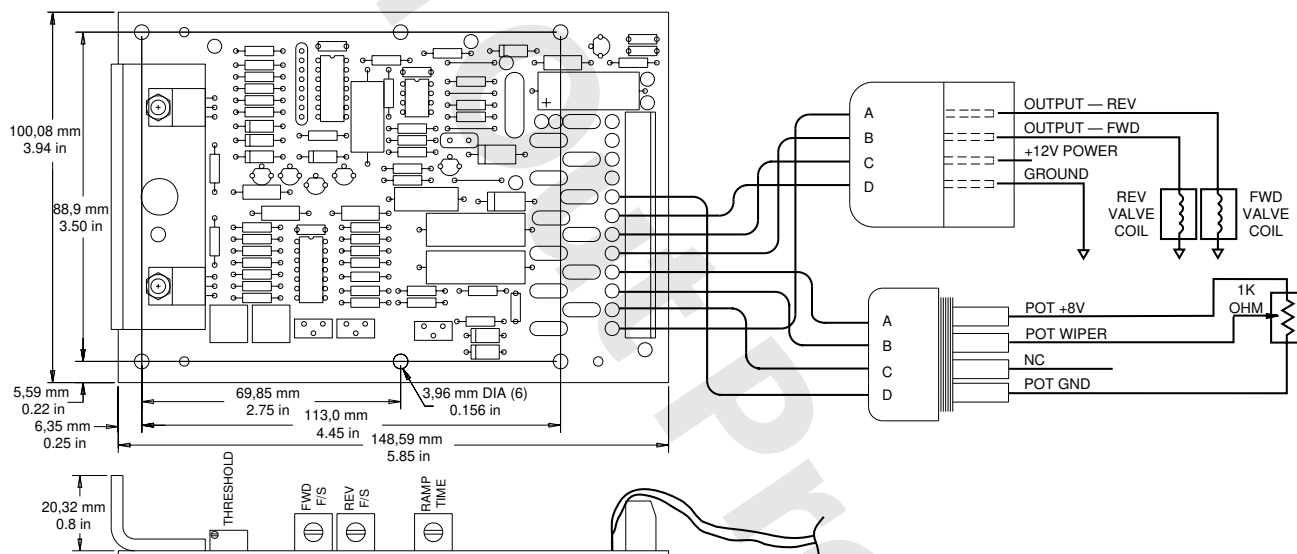
DESCRIPTION

This device is a ramped valve driver which accepts a setpoint potentiometer input from a control handle and drives a dual coil electrical displacement control. It is pulse-width modulated and has adjustable acceleration/deceleration ramping. The threshold, full stroke forward, and full stroke reverse outputs are adjustable.

Packard shroud connector for the power and output connections, and a 12" pigtail with 4-pin sealed Packard tower connector for the setpoint potentiometer connections. A kit with mounting hardware is shipped with the device. For mating connectors order kit K03384, 4-pin tower connector and K03379, 4-pin shroud connector.

It has a 12" pigtail with a 4-pin sealed

KE07202



1683

TECHNICAL DATA

Supply voltage

12 Vdc

PWM Frequency

1,000 Hz

Output current

250 mA maximum

Ramp Time

0 to 6 seconds from null

Factory settings with 22 ohm load

Threshold: 15 mA

Full Stroke: 135 mA

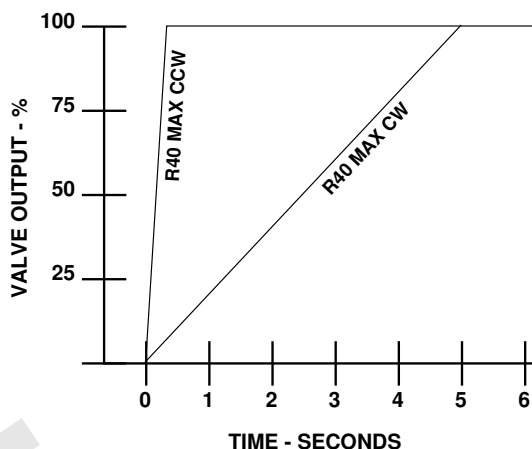


Unit Specification Sheet

KE07202

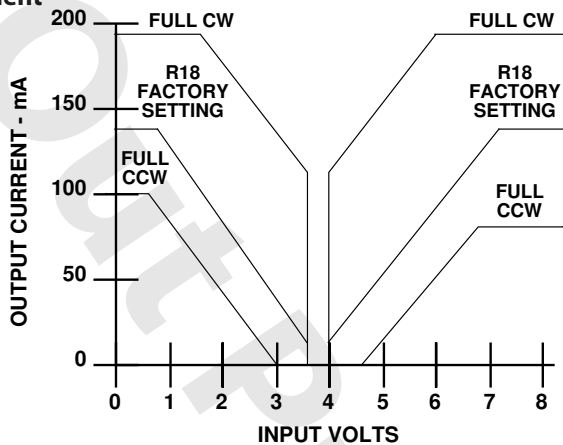
Ramped Valve Driver

ADJUSTMENTS



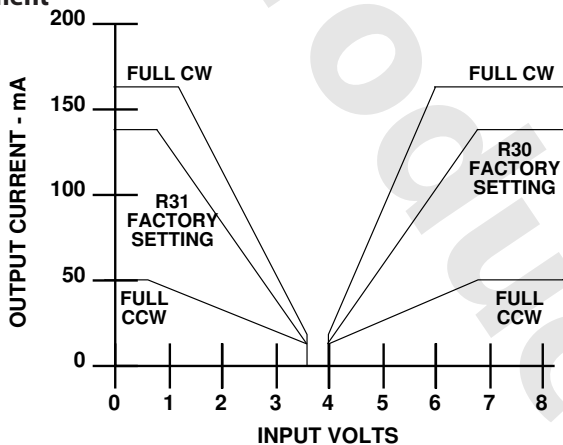
1679

Threshold Adjustment



1684

Full Stroke Adjustment



1685

CUSTOMER SERVICE

Danfoss (US) Company
3500 Annapolis Lane North
Minneapolis, Minnesota 55447
Phone: (763) 509-2084
Fax: (763) 559-0108