



Application:



The Danfoss FH-WS is a hard wired low voltage electronic thermostat used with hydronic heating systems. FH-WS is typically used to control the operation of electrical zone valve actuators in hydronic heating systems. The thermostat senses air temperature and with the addition of the optional floor sensor, it is capable of floor temperature limitation. Beneath the front cover flap is a LED that illuminates when there is a heat demand. Limitation tabs are built-in to allow the setting of the minimum and maximum air temperature. The thermostat provides a cost effective and efficient means of controlling comfort within a heated room.

Ordering Information:

Code No.	Description	Power	Scale	Temperature Range	Floor Sensor
088H0024	FH-WS Electronic Thermostat	24 VAC, 50-60Hz	°C	6° - 30°C	Optional
088H0034			°F	50° - 86°F	

Accessories:

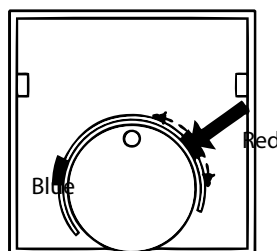
Code No.	Description
088H0025	Optional floor sensor for FH-WS thermostat. Sensor provides minimum or maximum regulation of floor temperature

Technical Specifications:

Power Supply	24 VAC (50-60Hz)
Mounting	Surface mounted
Wiring Requirements	3-wire, 4-wire if optional timer is used
Temperature Range	50° - 86°F (6° - 30°C)
Temperature Differential	± 1.75°F
Ambient Temperature	32° - 122° (0° - 50°C)
Freeze Protection	40°F (4°C)
Min. / Max. Floor Setting	68° - 113°F (20° - 45°C)
Night Setback	Manual, (Automatic is possible with external timer - not supplied)
Sensor FH-WS	NTC, 30 ohms 68°F (20°C), with 10 ft (3m) cable*

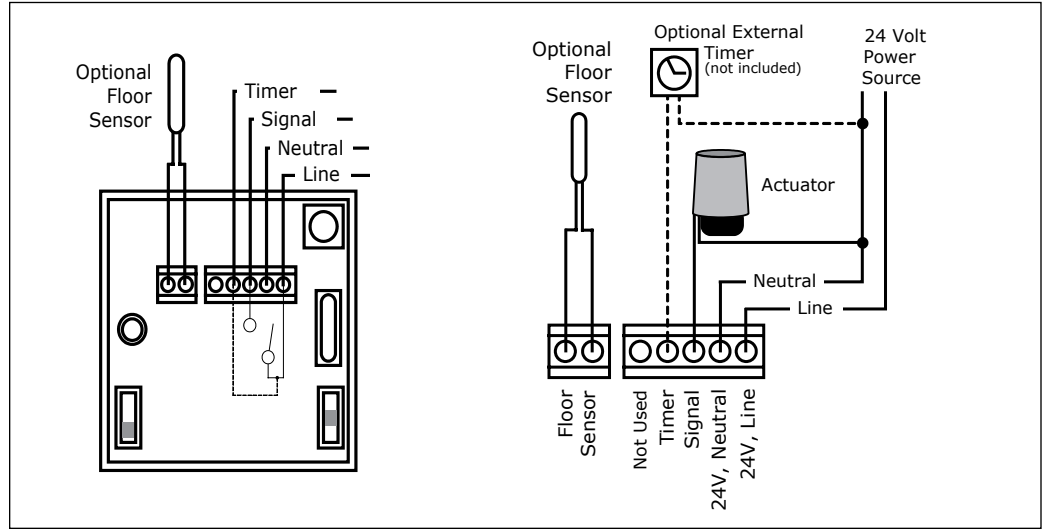
*The floor sensor can be extended to a maximum length of 33 ft. A wire size of 18-gauge should be used as an extension to the floor sensor.

Temperature Limitation:

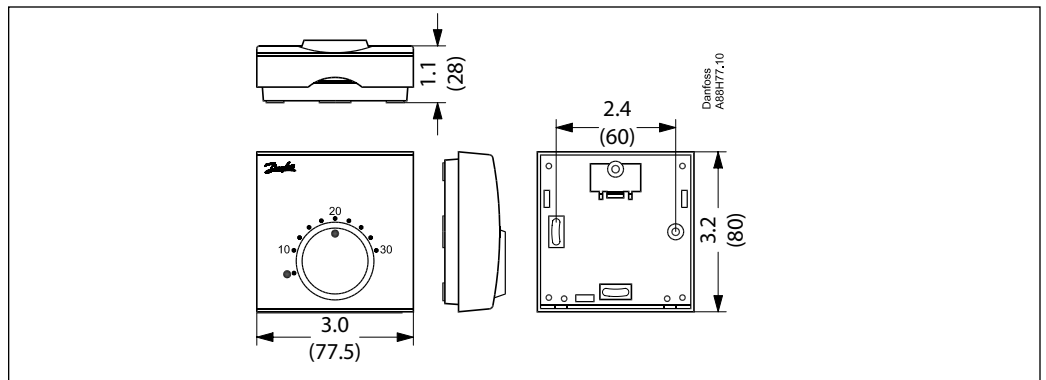


The setting range for the thermostat can be limited by means of the blue and red limitation rings located beneath the front cover. By setting them the temperature range is reduced. The settable limitation range is 50° - 86°F (6° -30°C).

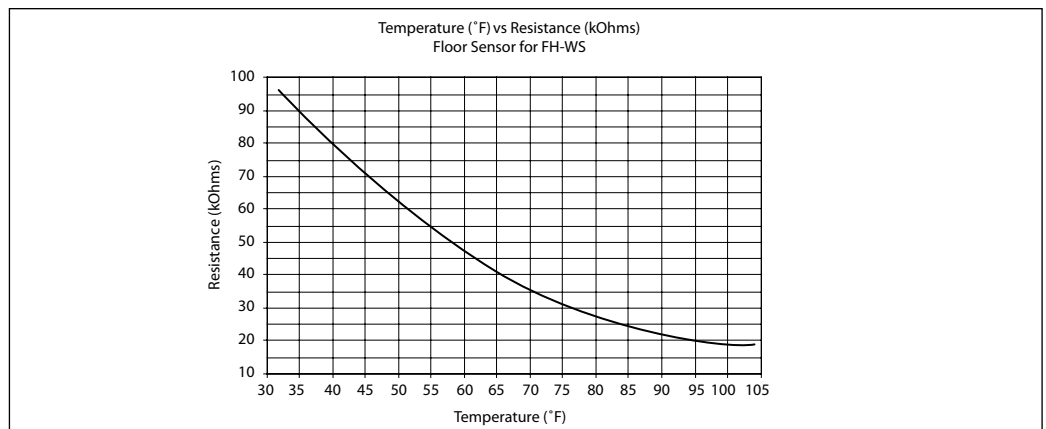
Wiring Diagram:



Dimensions
inches (mm):



Floor Sensor
Characteristics:



Danfoss can accept no responsibility for possible errors in printed materials and reserves the right to alter its products without notice. All trademarks in this material are property of the respective companies. Danfoss and Danfoss logotype are trademarks of Danfoss A/S. All rights reserved.



Danfoss
 Toronto, ON
 Toll Free: 866-676-8062
 Tel.: 905-285-2050, Fax: 905-285-2055
 www.na.heating.danfoss.com

Danfoss
 Baltimore, MD
 Toll Free: 866-375-HVAC (4822)
 Tel.: 443-512-0266, Fax: 443-512-0270
 www.na.heating.danfoss.com