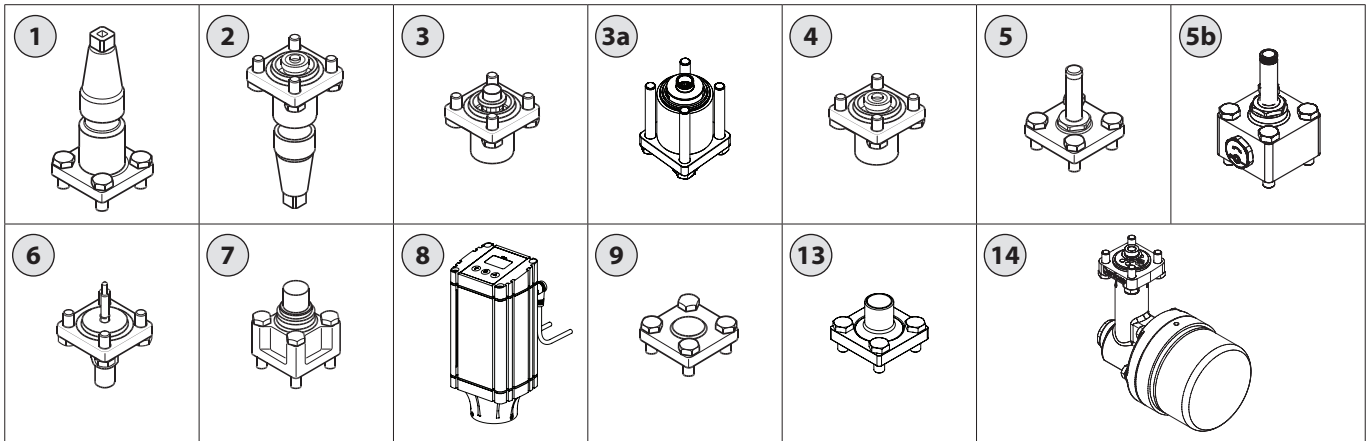


Data sheet - Spare parts and accessories

Valve station

Type ICF 15, ICF EVRAT, ICF 20, ICF SS 20



Description	Fig #	Qty.	Code no.
Stop, Check, Stop/check and Regulating valve module			
ICFS 15 – Stop valve module	1	1	148B5276
ICFS 20 – Stop valve module	1	1	027L1250
ICFS SS 20 – Stop valve module	1	1	027L4772
ICFR 20A – Manual regulating valve (incl. PEEK seat)	1	1	027L1254
ICFR SS 20A – Manual regulating valve (incl. PEEK seat)	1	1	027L4773
ICFR 20B – Manual regulating valve (incl. PEEK seat)	1	1	027L1255
ICFR SS 20B – Manual regulating valve (incl. PEEK seat)	1	1	027L4774
ICFN 20 – Stop/check valve module	2	1	027L1253
ICFN SS 20 – Stop/check valve module	2	1	027L4788
ICFC 20 – Check valve module	4	1	027L1252
ICFC SS 20 – Check valve module	4	1	027L4775
Packing gland for ICFS 20, ICFR 20, ICFN 20	–	1	148B4056
Red cap for ICFS 20	–	1	148B4075
Yellow cap for ICFR 20	–	1	027L1306
Green cap for ICFN 20	–	1	027L1316
Handwheel for ICFS 20	–	1	148B4060
Inspection kit for ICFS 15	–	1	148B6051
Repair kit for ICFS 15	–	1	148B6061
Overhaul kit for ICFS 15	–	1	148B6151

Description	Fig #	Qty.	Code no.
Filter module			
ICFF 15 - Filter module G ¼"	–	1	027L1246
ICFF 15 - Filter module ¾"NPT	–	1	027L1247
ICFF 20 – Filter module (incl. adaptor and pleated insert (150 µ (100 mesh) / 45 cm ² (7.0 in ²))	3	1	027L1251
ICFF SS 20 – Filter module (incl. adaptor and pleated insert (150 µ (100 mesh) / 45 cm ² (7.0 in ²))	3	1	027L4776
ICFF 20E – Filter module (incl. adaptor and pleated insert (150 µ (100 mesh) / 160 cm ² (24.8 in ²))	3a	1	027L2256
ICFF SS 20E – Filter module (incl. adaptor and pleated insert (150 µ (100 mesh) / 160 cm ² (24.8 in ²))	3a	1	027L4777
Filter element for ICFF 15	–	1	148H1136
Filter element for ICFF 20 74 µ	–	1	148H3292
Filter element pleated for ICFF 20 250 µ	–	1	148H3363
Filter element pleated for ICFF 20E, 250 µ	–	1	148H3269
Filter element for ICFF 20, ICFF SS 20, 150µ, 45 cm ²	–	1	027L0801
Filter element for ICFF 20E, ICFF SS 20E, 150µ, 160 cm ²	–	1	027L0800

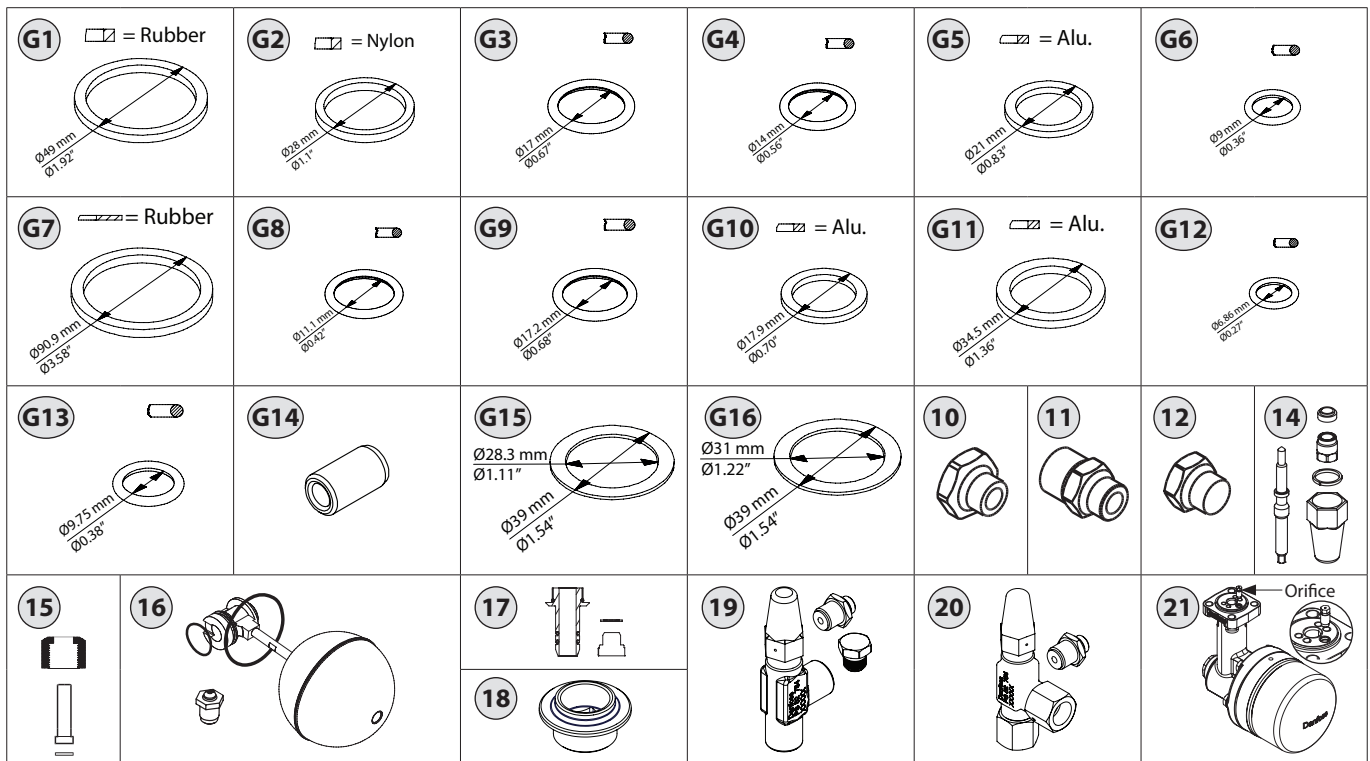
Description	Fig #	Qty.	Code no.
Solenoid valve module			
ICFE 20 – Solenoid valve module (incl. PEEK seat)	5	1	027L1257
ICFE SS 20 – Solenoid valve module (incl. PEEK seat)	5	1	027L4778
ICFE 20H – Solenoid valve module High Capacity	5b	1	027L1270
ICFE SS 20H – Solenoid valve module High Capacity	5b	1	027L4779
Repair kit for ICFE 20: Armature assembly, Diaphragm assembly, Al. gasket, O-ring	–	1	032F8030
Manual opening module			
ICFO 20 – Manual opening module	6	1	027L1260
ICFO SS 20 – Manual opening module	6	1	027L4786
Electronic expansion valve module			
ICFA 20 – Electronic expansion valve module (incl. PEEK seat)	5	1	027L1258
ICFA SS 20 – Electronic expansion valve module (incl. PEEK seat)	5	1	027L4780
Armature kit for ICFA 20: Armature, Armature tube assembly, Alu gasket	–	1	068F5045
Motor valve module			
ICM 20-A33 – Motor valve module (incl. PEEK seat)	7	1	027H1186
ICM SS 20-A33 – Motor valve module (incl. PEEK seat)	7	1	027L4785
ICM 20-A – Motor valve module (incl. PEEK seat)	7	1	027H1180
ICM SS 20-A – Motor valve module (incl. PEEK seat)	7	1	027L4782
ICM 20-B66 – Motor valve module (incl. PEEK seat)	7	1	027H1194
ICM SS 20-B66 – Motor valve module (incl. PEEK seat)	7	1	027L4781
ICM 20-B – Motor valve module (incl. PEEK seat)	7	1	027H1181
ICM SS 20-B – Motor valve module (incl. PEEK seat)	7	1	027L4783
ICM 20-C – Motor valve module (incl. PEEK seat)	7	1	027H1182
ICM SS 20-C – Motor valve module (incl. PEEK seat)	7	1	027L4784
ICAD 600A – Actuator with 1.5 m (60 in.) cables	8	1	027H9075
ICAD 600A – Actuator without cables	8	1	027H9120
Blank top cover and welding module			
ICFB 20 – Blank top cover	9	1	027L1259
ICFB SS 20 – Blank top cover	9	1	027L4787
ICFW 20 – Welding module 20 DIN	13	1	027L1245
ICFW SS 20 – Welding module 20 DIN	13	1	027L4789
ICFW 20 – Welding module ¾" SOC	13	1	027L1230
Defrost module			
ICFD 20	14	1	027L6701
ICFD 20C (CO ₂)	14	1	027L6708

All modules include a gasket and four bolts when supplied.

Data sheet - Spare parts and accessories

Valve station

Type ICF 15, ICF EVRAT, ICF 20, ICF SS 20



Description	Fig #	Qty.	Code no.	
Gaskets and O-rings for ICF 15				
Rubber gasket M3, M4	G1	2	027L1271	
Fiber gasket M1	G15	1		
Fiber gasket M2	G16	1		
Al-gaskets for side ports	G5	2		
O-ring for armature	G4	1		
Gasket for Cap	G2	2		
O-ring for PEEK seat	G3	2		
Gaskets and O-rings for ICF 20/ICF SS 20				
Rubber gasket bonnet-flange	G1	6	027L1261	
Stop, reg. and stop-check valves and ICM				
Gasket for a cap	G2	3		
O-ring for PEEK seat	G3	2		
O-ring for packing gland	G6	1		
Solenoid valve module				
O-ring for armature	G4	1	027L6702	
O-ring for PEEK seat	G3	1		
Al-gaskets for side ports	G5	6		
Defrost Module				
Rubber gasket bonnet-flange	G1	1	027L6702	
Gasket for Float housing flange	G7	1		
O-ring Inlet connector	G8	2		
O-ring Inlet connector	G9	1		
Al-gasket for Drain plug	G10	1		
Al-gasket for Union nut	G11	1		
O-ring Manual opener	G12	1		
O-ring Manual opener	G13	1		
Dowel Pin	G14	1		

Description	Fig #	Qty.	Code no.
PEEK seat set for ICM /ICF 20			
Seat PEEK	18	1	027L1272
Rubber gasket	G1	1	
O-ring for PEEK seat	G3	1	
Defrost Module SNV service kit (NPT thread)			
Al gasket	19	1	148B6607
Adapter G1/4" - 3/8" MPT	19	1	
SNV ST 3/8" FPT - 3/8" FPT	19	1	
Blind Plug 3/8" MPT	19	1	
Defrost Module SNV service kit (G thread)			
Al gasket	20	3	148B3778
Adapter G1/4" - G1/2"	20	1	
SNV ST G1/2" - G1/2"	20	1	
Defrost Module repair kit for ICFD 20 (Ammonia)			
Float, Float lever, Slider, Liquid orifice (incl. O-ring), O-ring for Orifice holder, AKV orifice, 2 x O-ring for Inlet connector	16	1	027L6703
Defrost Module repair kit for ICFD 20C (CO₂)			
Float, Float lever, Slider, Liquid orifice (incl. O-ring), O-ring for Orifice holder, AKV orifice, 2 x O-ring for Inlet connector	16	1	027L6709
Defrost Module inlet connector / drain plug			
Inlet connector	17	1	027L6704
O-ring for inlet connector	17	3	
Plug G 1/4"	17	1	
Alu gasket	17	1	

Continued...

Data sheet - Spare parts and accessories

Valve station

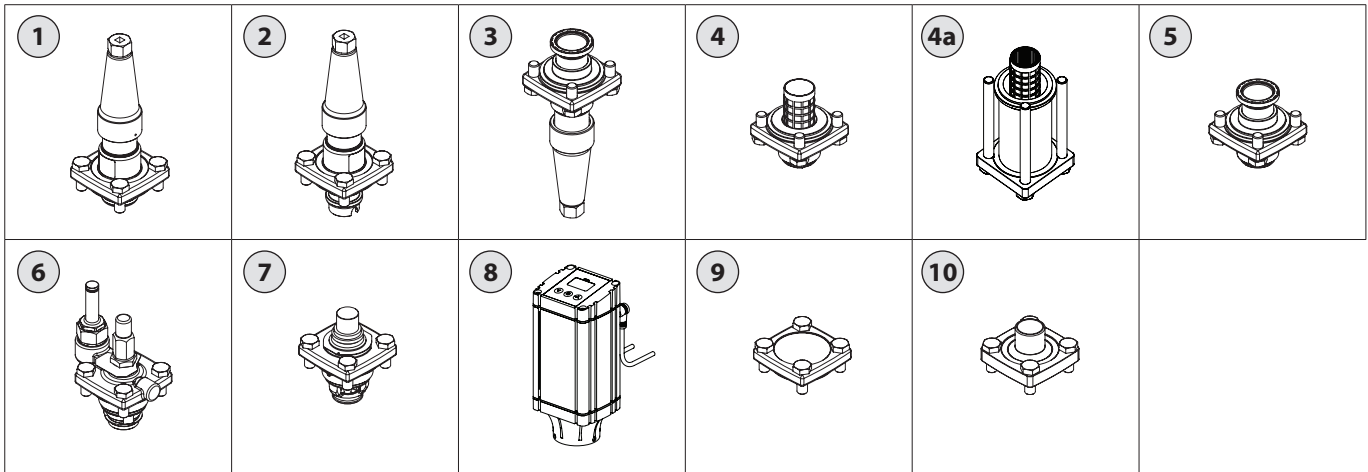
Type ICF 15, ICF EVRAT, ICF 20, ICF SS 20

Description	Fig #	Qty.	Code no.
Defrost Module kit for use when ICFD installed in ICV 20 valve housing			
Orifice kit: Can be used for both ICFD 20 (ammonia) and ICFD 20C (CO ₂)	21	1	027L6711
For ICF/ICF SS side ports			
For ICF side ports: Sight glass G 3/8" (including Al.gasket)	10	2	027L1267
For ICF SS 20/25 side ports with DIN connections: Sight glass SS G 3/8" (including Al. gasket)	10	2	027L4812
For ICF SS 20/25 side ports with ANSI Sch. 40 connections: Sight glass SS 3/8 NPT (including Al.gasket)	10	2	027L4821
Nipple for side connection G 3/8" - G 1/2" (including Al.gasket, for ICF with DIN and ANSI connections only)	11	2	027L1266
Nipple for side connection G 3/8" - G 1/2" (including Al.gasket, for ICF SS)	11	2	027L4810
Blind for side connection G 3/8" (including Al.gasket, for ICF with DIN and ANSI connections only)	12	2	027L1265
Blind for side connection G 3/8" (including Al.gasket, for ICF SS)	12	2	027L4811
Sight glass NPT 3/8" (for ICF with SOC connections only)	10	2	027L1269
Blind for side connection NPT 3/8" (for ICF with SOC connections only)	12	2	027L1268
1/2 in to DIN DN6 pipe weld connector for ICF	15	2	148B4184
1/2 in to DIN DN6 pipe weld connector for ICF SS	15	2	148B4689
For ICF EVRAT			
Repair kit (manual opener) for all ICF EVRAT	14	1	027L1248

Data sheet - Spare parts and accessories

Valve station

Type ICF 25, ICF SS 25



Description	Fig #	Qty.	Code no.
Stop, Check, Stop/check and Regulating valve module			
ICFS 25 – Stop valve module	1	1	027L2250
ICFS SS 25 – Stop valve module	1	1	027L4791
ICFR 25A – Manual regulating valve	2	1	027L2254
ICFR SS 25A – Manual regulating valve	2	1	027L4792
ICFR 25B – Manual regulating valve	2	1	027L2255
ICFR SS 25B – Manual regulating valve	2	1	027L4793
ICFN 25 – Stop/Check valve module	3	1	027L2253
ICFN SS 25 – Stop/Check valve module	3	1	027L4803
ICFC 25 – Check valve module	5	1	027L2252
ICFC SS 25 – Check valve module	5	1	027L4794
Packing gland for ICFS 25, ICFR 25, ICFN 25	–	1	148B4037
Red cap for ICFS 25	–	1	148B4076
Yellow cap for ICFR 25	–	1	027L1308
Green cap for ICFN 25	–	1	027L1318
Handwheel for ICFS 25	–	1	148B4062

Filter module

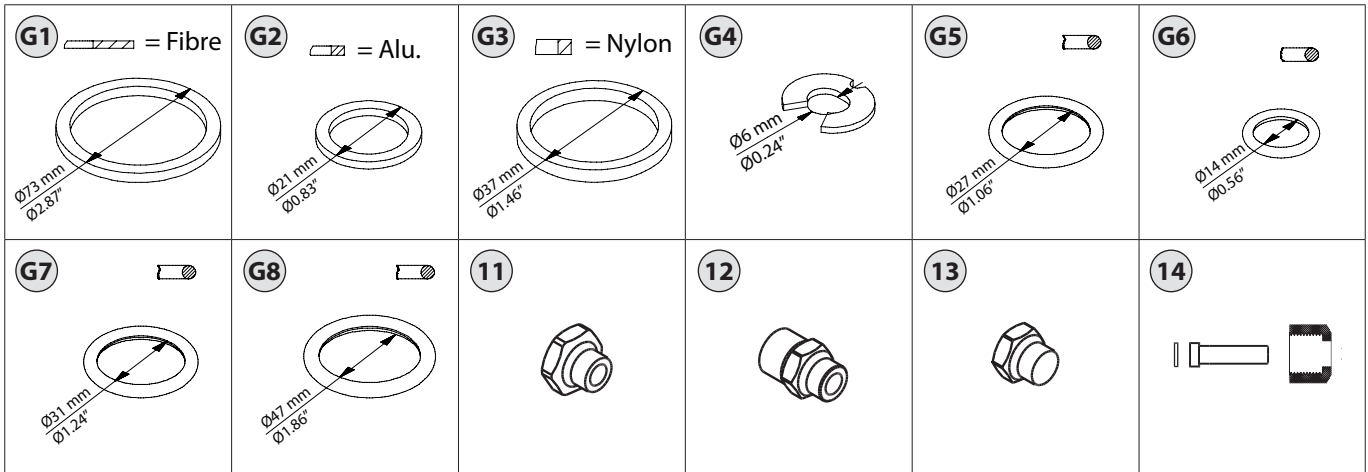
ICFF 25 – Filter module (incl. pleated insert (150 μ (100 mesh) / 160 cm ² (24.8 in ²)))	4	1	027L2251
ICFF SS 25 – Filter module (incl. pleated insert (150 μ (100 mesh) / 160 cm ² (24.8 in ²)))	4	1	027L4795
ICFF 25E – Filter module (incl. pleated insert (150 μ (100 mesh) / 330 cm ² (51.2 in ²)))	4a	1	027L2299
ICFF SS 25E – Filter module (incl. pleated insert (150 μ (100 mesh) / 330 cm ² (51.2 in ²)))	4a	1	027L4796
Filter element for ICFF 25 100 μ	–	1	148H3123
Filter element pleated for ICFF (25-40)E 250 μ	–	1	148H3296
Filter element for ICFF 25, ICFF SS 25, 150 μ - 160cm ²	–	1	027L0800
Filter element for ICFF 25E, ICFF SS 25E, 150 μ - 330 cm ²	–	1	027L0802

Description	Fig #	Qty.	Code no.
Solenoid valve module			
ICFE 25 – Solenoid valve module	6	1	027L2257
ICFE SS 25 – Solenoid valve module	6	1	027L4797
Motor valve module			
ICM 25-A – Motor valve module	7	1	027H2180
ICM SS 25-A – Motor valve module	7	1	027L4798
ICM 25-B – Motor valve module	7	1	027H2181
ICM SS 25-B – Motor valve module	7	1	027L4799
ICAD 600A – Actuator with 1.5 m (60 in.) cables,	8	1	027H9075
ICAD 600A – Actuator without cables	8	1	027H9120
Blank top cover and welding module			
ICFB 25 – Blank top cover	9	1	027L2259
ICFB SS 25 – Blank top cover	9	1	027L4802
ICFW 25 – Welding module 25DIN	10	1	027L2265
ICFW SS 25 – Welding module 25DIN	10	1	027L4800
ICFW 25 – Welding module 25SOC	10	1	027L2263

Data sheet - Spare parts and accessories

Valve station

Type ICF 25, ICF SS 25



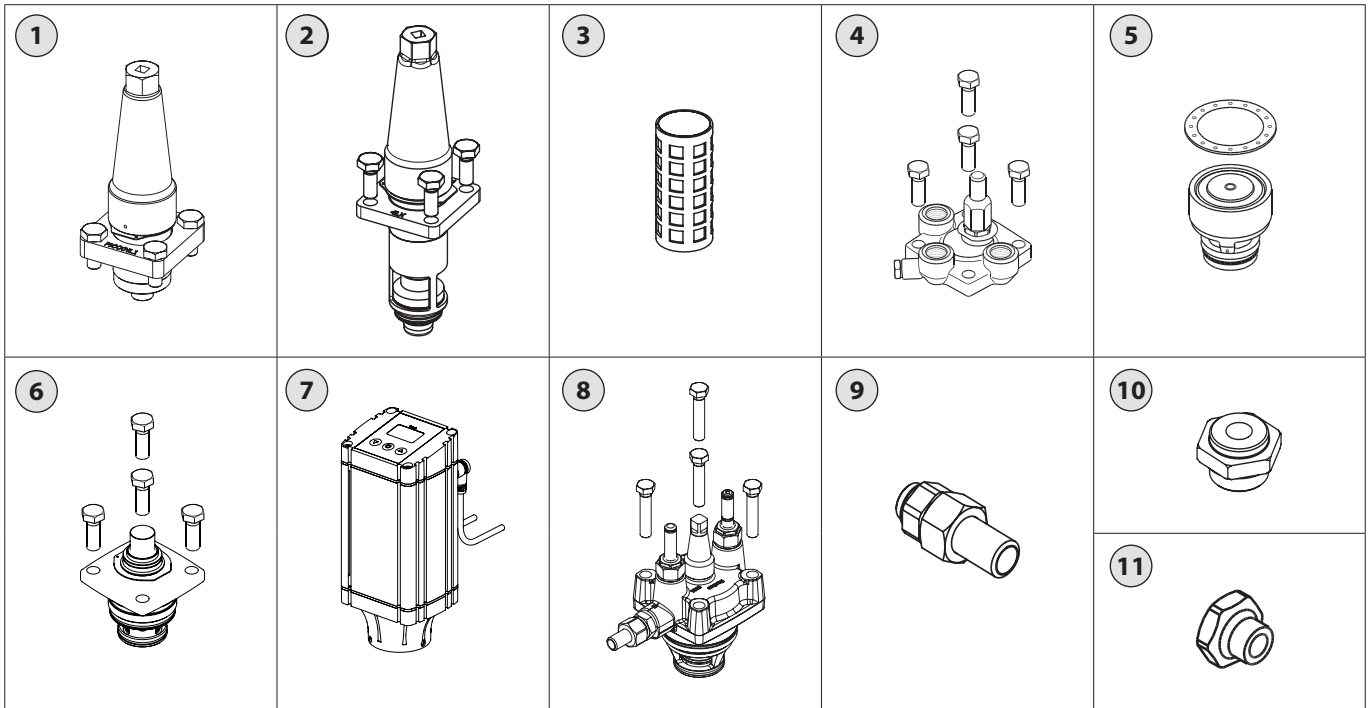
Description	Fig #	Qty.	Code no.	
Gaskets and O-rings for ICF 25/ICF SS 25				
O-rings bonnet-flange	G1	6	027L2260	
Stop, reg and stop-check valves				
Gasket for a cap	G3	3		
O-ring for check valve	G5	1		
Solenoid valve module				
O-ring for armature	G6	1		
O-ring for insert	G8	1		
O-ring for inserts (small)	G7	1		
Locking ring	G4	2		
ICM				
O-ring for insert	G8	1		
O-ring for inserts (small)	G7	1		
Side ports				
Al-gaskets	G2	2		

Description	Fig #	Qty.	Code no.
For ICF/ICF SS side ports			
For ICF side ports: Sight glass G 3/8" (including Al.gasket, for ICF with DIN and ANSI connections only)	11	2	027L1267
For ICF SS 20/25 side ports with DIN connections: Sight glass SS G 3/8" (including Al. gasket)	11	2	027L4812
For ICF SS 20/25 side ports with ANSI Sch. 40 connections: Sight glass SS 3/8 NPT (including Al. gasket)	11	2	027L4821
Nippel for side connection G 3/8" - G 1/2" (including Al.gasket, for ICF with DIN and ANSI connections only)	12	2	027L1266
Nippel for side connection G 3/8" - G 1/2" (including Al.gasket, for ICF SS)	12	2	027L4810
Blind for side connection G 3/8" (including Al.gasket, for ICF with DIN and ANSI connections only)	13	2	027L1265
Blind for side connection G 3/8" (including Al.gasket, for ICF SS)	13	2	027L4811
Sight glass NPT 3/8" (for ICF with SOC connections only)	11	2	027L1269
Blind for side connection NPT 3/8" (for ICF with SOC connections only)	13	2	027L1268
1/2 in. to DIN DN6 pipe weld connector for ICF	14	2	148B4184
1/2 in. to DIN DN6 pipe weld connector for ICF SS	14	2	148B4689

Data sheet - Spare parts and accessories

Valve station

Type ICF 50, ICF 65



Description	Fig #	Qty.	Code no.
Shut-off valve module			
SVA-S 50 – Stop valve module	1	1	148B5728
SVA-S 65 – Stop valve module	1	1	148B5822
Manual regulating valve module			
REG-SB 50 – Manual regulating module	2	1	148B5734
REG-SB 65 – Manual regulating module	2	1	148B5824
Strainer insert (50)			
Filter element 100µ (150 mesh)	3	1	148H3157
Filter element 150µ (100 mesh)	3	1	148H3130
Filter element 250µ (72 mesh)	3	1	148H3138
Filter element 500µ (38 mesh)	3	1	148H3144
Pleated filter element 150µ (100 mesh)	3	1	148H3179
Pleated filter element 250µ (72 mesh)	3	1	148H3184
Pleated filter element 500µ (38 mesh)	3	1	148H3189
Pilot operated valve module			
ICS 50 – Top cover 3 pilots	4	1	027H5173
ICS 65 – Top cover 3 pilots	4	1	027H6173
ICS 50 – Function module	5	1	027H5200
ICS 50-32 – Function module	5	1	027H5211
ICS 50-40 – Function module	5	1	027H5212
ICS 65 – Function module	5	1	027H6200
ICS 65-40 – Function module	5	1	027H6212
ICS 80 – Function module	5	1	027H8200

Description	Fig #	Qty.	Code no.
Motor operated valve module			
ICM 50-A – Motor valve module	6	1	027H5180
ICM 50-B – Motor valve module	6	1	027H5181
ICM 65-A – Motor valve module	6	1	027H6180
ICM 65-B – Motor valve module	6	1	027H6181
ICAD 1200A – Actuator with 1.5 m (60 in.) cables	7	1	027H9077
ICAD 1200A – Actuator without cables	7	1	027H9122
2-step solenoid valve module			
ICLX 50 – 2-step solenoid valve module	8	1	027H5204*
ICLX 65 – 2-step solenoid valve module	8	1	027H6204*
Welding connections			
M33 to DIN 25 mm Pipe	9	1	027H5544
M33 to ANSI 1 in. Pipe	9	1	027H5546
Defrost drain connection kit			
M33 - G 3/8 in.	10	1	027H5547
M33 - NPT 3/8 in.	10	1	027H5548
Defrost drain blind plug			
M33 x 1.5 in.	11	2	148F1111

* Including external pilot connection, damping orifice and NC/NO pilot valves. Not assembled.

For ordering of Inspection kits, Repair kits and Overhaul kits for the ICF 50/65 control modules; please refer to the spare parts and accessories data sheet for ICS, ICM and ICLX (AI245486497115).

For ordering of Inspection kits, Repair kits and Overhaul kits for the ICF 50/65 Stop-, Regulating-, Filter-, Check- and Stop/Check modules please refer to the spare parts and accessories data sheet for SVL Flexline (AI198786421038).