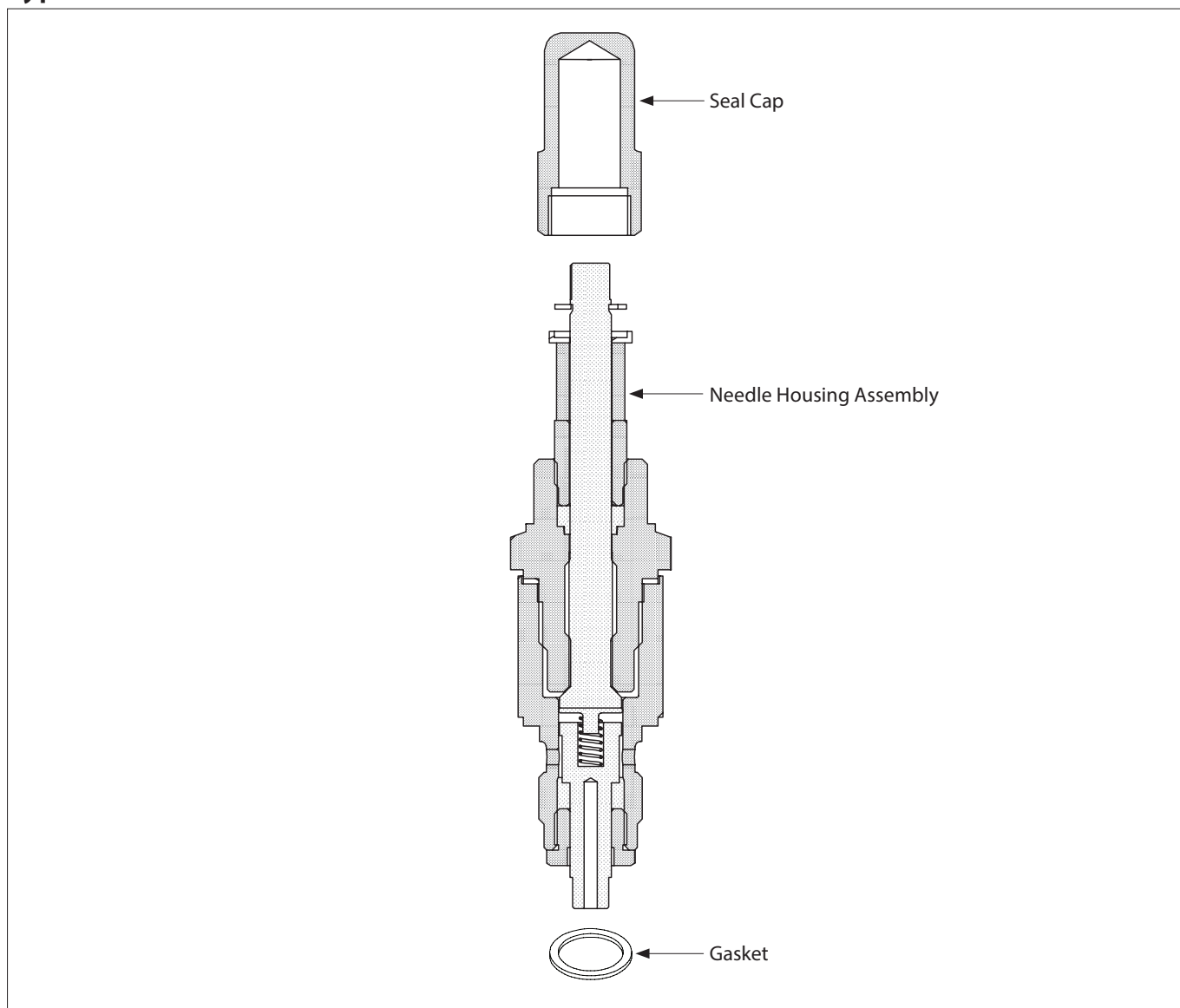


Data sheet – Spare parts and accessories

Dual position solenoid valve
Type ICSH



For product	Code no.
Repair kit	
ICSH-25	027H8413
ICSH-32	027H8414
ICSH-40	027H8415
ICSH-50	027H8416
ICSH-65	027H8417
ICSH-80	027H8418