

Data Sheet

PLUS+1[®] Extended Memory Controller

MC050-118



Mobile machine management

The MC050-118 Extended Memory controllers are elements of the flexible, powerful, expandable, and affordable PLUS+1[®] family of mobile machine management products. These devices are general-purpose controllers that are equally suited for use as members of a distributed machine control system, with intelligence in every node, or as stand-alone controllers.

Product highlights

The MC050-118 Extended Memory Controller is pin compatible with the PLUS+1[®] MC050-010 Controller. It employs a 32 bit Cortex-M3 Processor, providing the controller with extremely fast single cycle processing speed and 1024K internal flash. Extended Memory features include 2 MB flash vault memory for application data logging and an application key that enables the use of Danfoss developed GUIDE machine control solutions.



Application development

Users develop MC050-118 Extended Memory applications with PLUS+1[®] GUIDE. This Microsoft[®] Windows[®] based development environment features a user-friendly, field proven, icon-based graphical programming tool, application downloader, and service/diagnostic tool.

Features

- User-programmable with PLUS+1[®] GUIDE (Graphical User Integrated Development Environment)
- 50 pins: (1) DEUTSCH DRC connector
- ARM 32 bit Cortex-M3 running at 120 MHz
- FRAM non-volatile memory
- 12 bit analog-to-digital converter
- 9 to 36 Vdc power supply, monitored internally
- 2 CAN 2.0 B ports
- Power supply for external sensors rated at 5 Vdc to 450 mA, monitored and regulated internally
- 2 MB flash vault memory
- 2 LEDs under user control
- 3 mounting alternatives: stack, end, or side
- MC050-118 contains application key required to run Danfoss developed machine control application software
- CE compliant

Comprehensive technical literature is online at www.danfoss.com

22 inputs

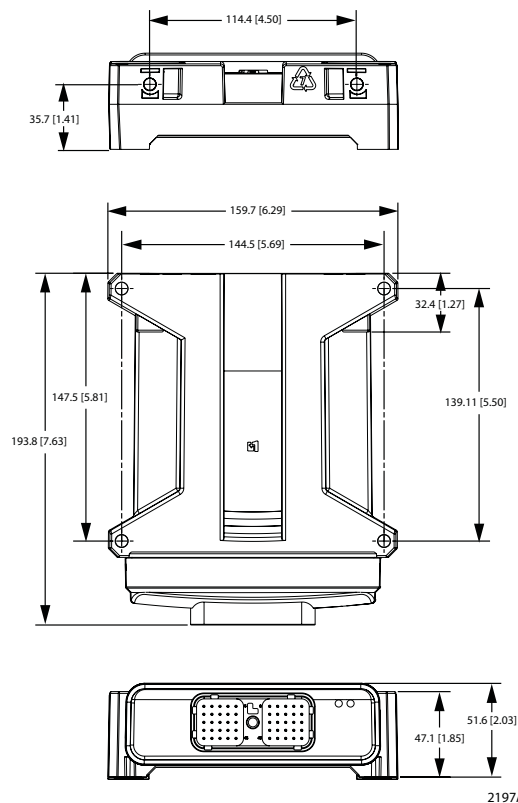
- 6 universal (DIN/AIN/FreqIN) that are user-defined as either:
 - Analog: With configurable ranges 0 to 5.25 Vdc or 0 to 36 Vdc
 - Digital: Pull up (5 Vdc), pull down (0 Vdc) or pull to center (2.5 Vdc)
 - Frequency (timing): 1 Hz to 10 kHz
- 6 digital (DIN) configurable as pull up (5 Vdc), pull down (0 Vdc)
- 4 digital/analog (DIN/AIN) that are user-defined as either:
 - Digital: Pull up (5 Vdc), pull down (0 Vdc) or pull to center (2.5 Vdc)
 - Analog: With configurable ranges 0 to 5.25 Vdc or 0 to 36 Vdc
- 4 analog (AIN/Temp/Rheo) 0 to 5.25 Vdc or 0 to 10,000 Ohm rheostat
- 2 fixed range analog (AIN/CAN shield) 0 to 5.25 Vdc or CAN shield pin

16 outputs

- 10 universal (PWMOUT/DOOUT/PVGOUT) that are user-defined as either:
 - Digital: (3 A), configurable as source or sink
 - PWM: (30 to 4000 Hz), configurable as open or closed loop with current control
 - Analog voltage: open loop PWM at 4000 Hz
- Any PWMOUT/DOOUT/PVGOUT can be used to provide reference power to one PVG valve.
- 3 digital (DOOUT) (3 A), configurable as source only
- 3 digital/PVG power supply (DOOUT/PVG Pwr) (3A), user-configurable; one DOOUT/PVG Pwr willpower up to three PVGs

Dimensions

mm [in]



! Caution

PCB damage may occur. All device power supply + pins must be connected to battery +. This device is not field serviceable. Opening the device housing will void the warranty.

Technical specifications

Supply voltage	9 to 36 Vdc
Operating temperature (ambient)	-40°C to 70°C [-40°F to 158°F]
Storage temperature	-40°C to 85°C [-40°F to 185°F]
Programming temperature	-40°C to 70°C [-40°F to 158°F]
IP rating (with mating connector attached)	IP 67
EMI/RFI rating	100 V/M
Weight	0.53 kg [1.16 lb]
Vibration	IEC 60068-2-64
Shock	IEC 60068-2-27 test Ea
Maximum current, sourcing	40 A
Maximum current, sinking	8 A

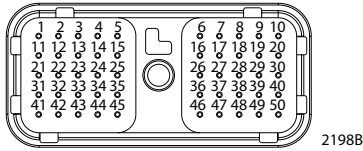
Related products	Danfoss part numbers	
CG150 CAN/USB Gateway	10104136	
DEUTSCH mating connector bag assembly	10102024 (16 to 20 AWG)	10100946 (20 to 24 AWG)
PLUS+1® GUIDE single user license	10101000	

Ordering information

MC050-118	11130960
------------------	----------

Pin information

50-pin connector



2198B

Pin	Controller function	Pin	Controller function
C1-P1	Power ground -	C1-P26	DIN/AIN/FreqIN
C1-P2	Power supply +	C1-P27	AIN/Temp/Rheo
C1-P3	CAN0 +	C1-P28	AIN/Temp/Rheo
C1-P4	CAN0 -	C1-P29	AIN/Temp/Rheo
C1-P5	AIN/CAN0 shield	C1-P30	AIN/Temp/Rheo
C1-P6	DIN	C1-P31	DOUT
C1-P7	DIN	C1-P32	DOUT
C1-P8	5 Vdc sensor power +	C1-P33	DOUT
C1-P9	Sensor power ground -	C1-P34	DOUT/PVG Pwr
C1-P10	DIN	C1-P35	DOUT/PVG Pwr
C1-P11	DIN	C1-P36	DOUT/PVG Pwr
C1-P12	DIN	C1-P37	PWMOUT/ DOUT/PVGOUT
C1-P13	DIN	C1-P38	PWMOUT/ DOUT/PVGOUT
C1-P14	DIN/AIN	C1-P39	PWMOUT/ DOUT/PVGOUT
C1-P15	DIN/AIN	C1-P40	PWMOUT/ DOUT/PVGOUT
C1-P16	DIN/AIN	C1-P41	PWMOUT/ DOUT/PVGOUT
C1-P17	DIN/AIN	C1-P42	PWMOUT/ DOUT/PVGOUT
C1-P18	DIN/AIN/FreqIN	C1-P43	PWMOUT/ DOUT/PVGOUT
C1-P19	DIN/AIN/FreqIN	C1-P44	PWMOUT/ DOUT/PVGOUT
C1-P20	CAN1 +	C1-P45	PWMOUT/ DOUT/PVGOUT
C1-P21	CAN1 -	C1-P46	PWMOUT/ DOUT/PVGOUT
C1-P22	AIN/CAN1 shield	C1-P47	Power supply +
C1-P23	DIN/AIN/FreqIN	C1-P48	Power supply +
C1-P24	DIN/AIN/FreqIN	C1-P49	Power supply +
C1-P25	DIN/AIN/FreqIN	C1-P50	Power supply +

Danfoss can accept no responsibility for possible errors in catalogues, brochures and other printed material. Danfoss reserves the right to alter its products without notice. This also applies to products already on order provided that such alterations can be made without subsequent changes being necessary in specifications already agreed. All trademarks in this material are property of the respective companies. Danfoss and the Danfoss logotype are trademarks of Danfoss A/S. All rights reserved.