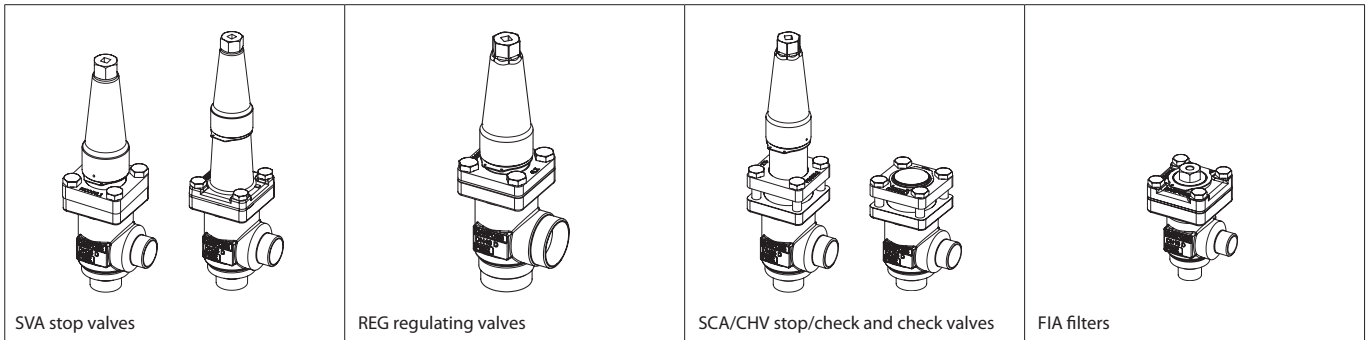


Data sheet

**Spare parts and accessories**

Shut-off valve, type SVA-S/L, SVA-ST, SVA-LT, SVA-HS | Regulating valve, type REG, REG-SA/SB | Check & stop valve, type SCA, SCA-X | Strainer, type FIA | Check valve, type CHV, CHV-X | ICF 50/65 control modules



Valve type	Size	See details on page #	Code no.
<b>Inspection kits</b>			
SVA-S/L, ST/LT - REG/SA, SB (Size 10 only)	6-10	2	148B6050
SVA-S/L, ST/LT, HS - REG/SA, SB - SCA/X - FIA - CHV/X	15-20	3-4	148B6051
SVA-S/L, ST/LT, HS - REG/SA, SB - SCA/X - FIA - CHV/X	25-40	5-6	148B6052
SVA-S/L, ST/LT, HS - REG/SA, SB - SCA/X - FIA - CHV/X	50	7-8	148B6053
SVA-S/L, ST/LT, HS - REG/SA, SB - SCA/X - FIA - CHV/X	65	9-10	148B6054
SVA-S/L, ST/LT, HS - SCA/X - FIA - CHV/X	80	11-12	148B6055
SVA-S/L, ST/LT, HS - SCA/X - FIA - CHV/X	100	13-14	148B6056
SVA-S/L, ST/LT, HS - SCA/X - FIA - CHV/X	125	15-16	148B6057
SVA-S/L, ST/LT, HS - FIA	150	17	148B6058
SVA-S/L, ST/LT, HS - FIA	200	18	148B6059

Valve type	Size	See details on page #	Code no.
<b>Repair kits</b>			
SVA-S/L, ST/LT - REG/SA, SB (Size 10 only)	6-10	19	148B6060
SVA-S/L, ST/LT, HS - REG/SA, SB - SCA/X	15-20	20-21	148B6061
SVA-S/L, ST/LT, HS - REG/SA, SB - SCA/X	25-40	22-23	148B6062
SVA-S/L, ST/LT, HS - REG/SA, SB - SCA/X	50	24-25	148B6063
SVA-S/L, ST/LT, HS - REG/SA, SB - SCA/X	65	26-27	148B6064
SVA-S/L, ST/LT, HS - SCA/X	80	28	148B6065
SVA-S/L, ST/LT, HS - SCA/X	100	29	148B6066
SVA-S/L, ST/LT, HS - SCA/X	125	30	148B6067
SVA-S/L, ST/LT, HS	150	31	148B6068
SVA-S/L, ST/LT, HS	200	32	148B6473

Valve type	Size	See details on page #	Code no.
<b>Overhaul kits</b>			
SVA-S/L, ST/LT	6-10	33	148B6150
SVA-S/L, ST/LT, HS	15-20	34	148B6151
SVA-S/L, ST/LT, HS	25-40	35	148B6152
SVA-S/L, ST/LT, HS	50	36	148B6153
SVA-S/L, ST/LT, HS	65	37	148B6154
SVA-S/L, ST/LT, HS	80	38	148B6155
SVA-S/L, ST/LT, HS	100	39	148B6156
SVA-S/L, ST/LT, HS	125	40	148B6157
SVA-S/L, ST/LT, HS	150	41	148B6158
SVA-S/L, ST/LT, HS	200	42	148B6472

Valve type	Size	See details on page #	Code no.
<b>Overhaul kits</b>			
SCA / X	15-20	43	148B6160
SCA / X	25-40	44	148B6161
SCA / X	50	45	148B6162
SCA / X	65	46	148B6163
SCA / X	80	47	148B6164
SCA / X	100	48	148B6165
SCA / X	125	49	148B6166
CHV / X	15-20	50	148B6167
CHV / X	25-40	51	148B6168
CHV / X	50	52	148B6169
CHV / X	65	53	148B6170
CHV / X	80	54	148B6171
CHV / X	100	55	148B6172
CHV / X	125	56	148B6173
REG-SA/SB	10	57	148B6174
REG-SA/SB	15-20	58	148B6175
REG-SA/SB	25-40	59	148B6176
REG-SA/SB	50	60	148B6177
REG-SA/SB	65	61	148B6178

Valve type	Size	See details on page #	Code no.
<b>Accessories</b>			
Cap incl. gasket Hand wheel incl. nut and washer Spring for stop/check and check valves Gasket for housing/top cover Grease for packing gland		62	

For REG valves with the previous cone design please refer to the spare part sheets DKRCI.PY.KM0.A and DKRCI.PY.KM0.D.

All kits are also suitable for the stainless steel versions of the products.  
For the Flexline™ products the alternative for the overhaul kit could be the standard top part from the parts programme.  
Please refer to the technical brochures of the individual Flexline™ products.

**Inspection kits:**

Contain all gaskets, O-rings and aluminium rings belonging to indicated valve type and valve size.  
For detailed content, see specific pages.

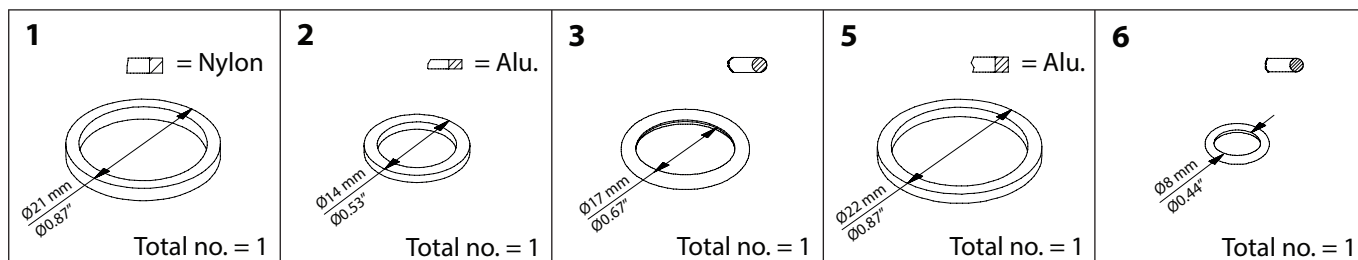
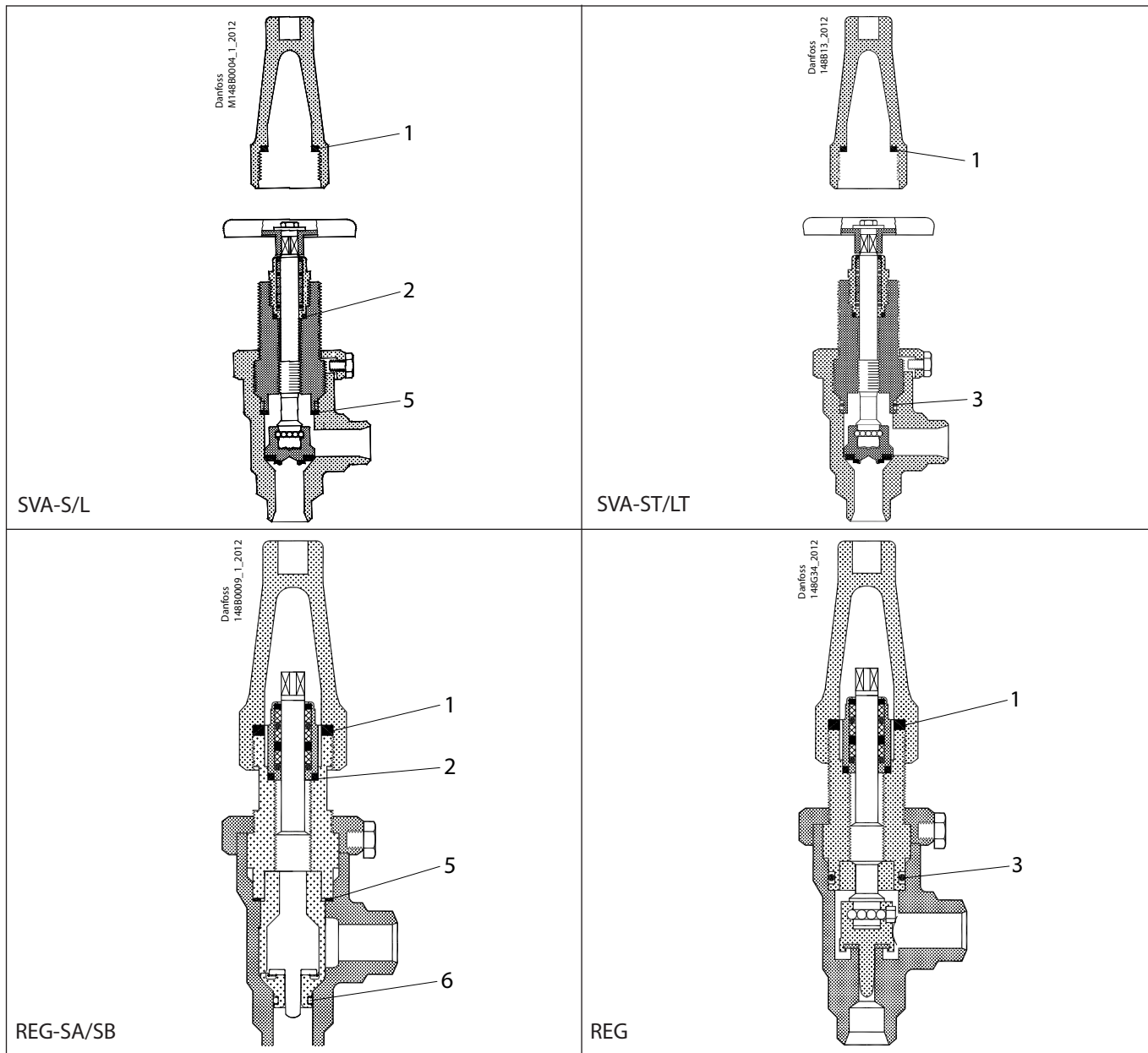
**Repair kits:**

Contain all gaskets, O-rings and aluminium rings belonging to indicated valve type and valve size along with a complete packing gland.  
For detailed content, see specific pages.

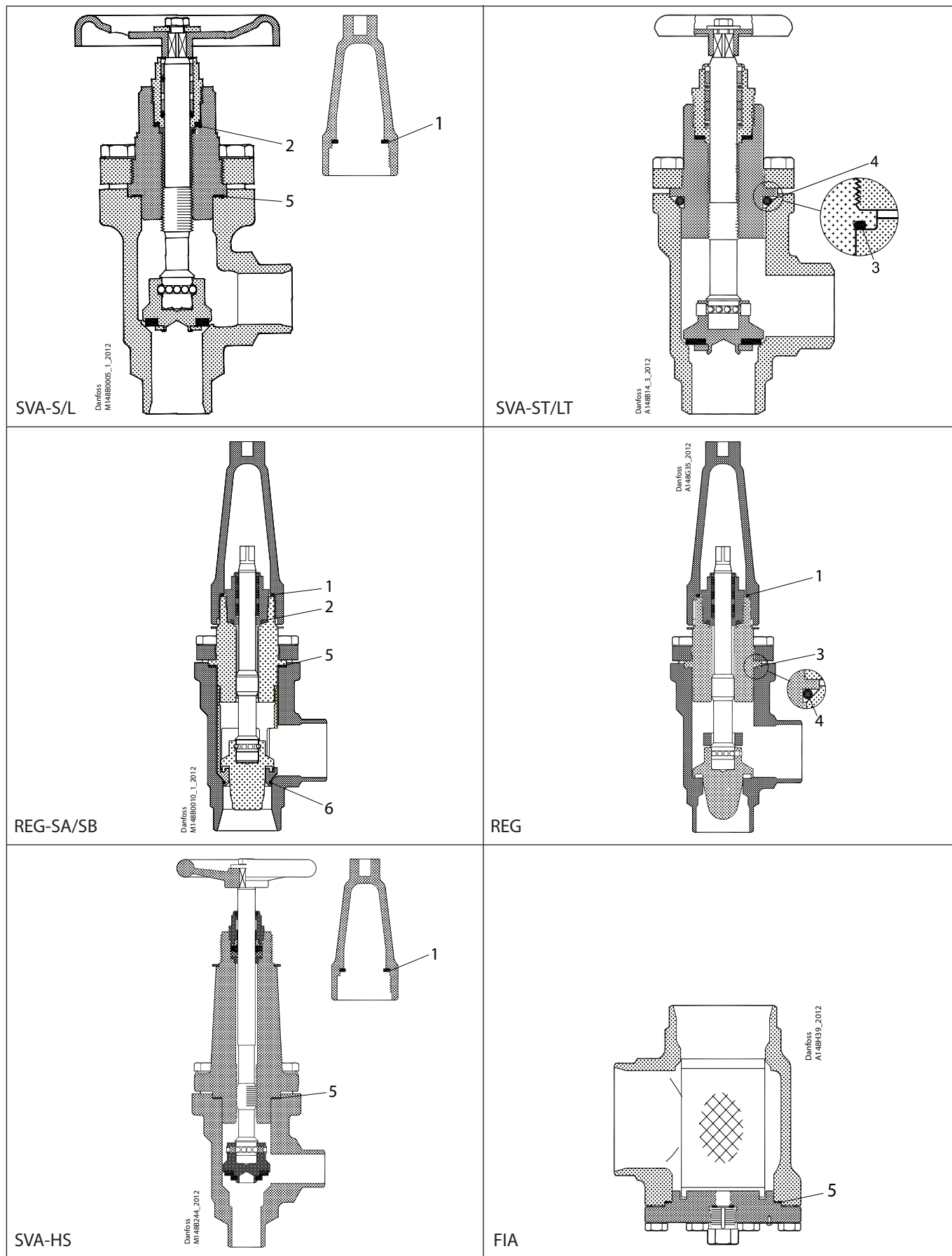
**Overhaul kits:**

Contain all gaskets, O-rings and aluminium rings belonging to indicated valve type and valve size and, where applicable, complete packing gland and parts that could be damaged or worn out. For detailed content, see specific pages.

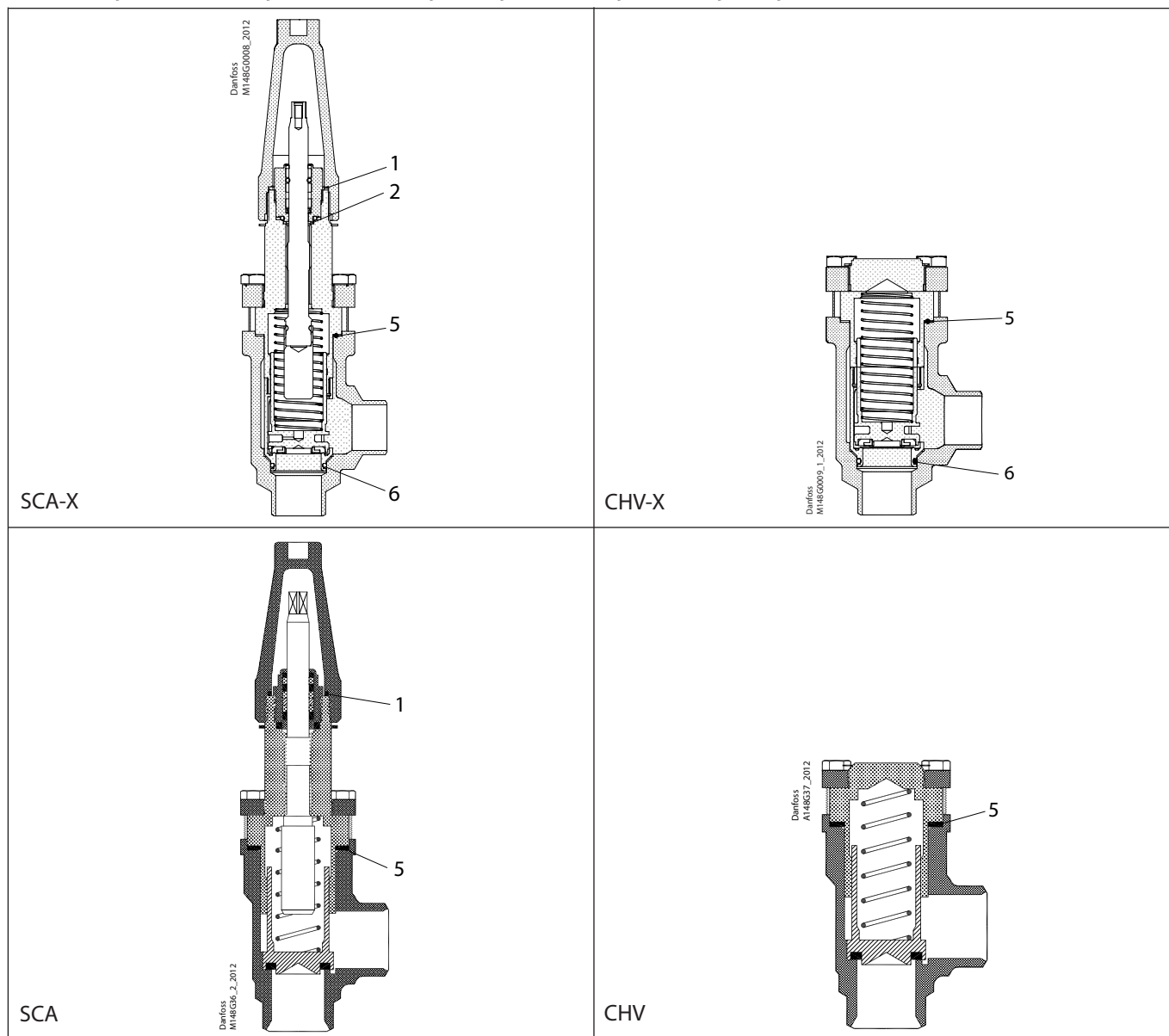
**Inspection kit | Code number 148B6050**  
**SVA-S/L, SVA-ST/LT sizes 6 to 10, REG-SA/SB, REG size 10**



**Inspection kit | Code number 148B6051**  
**SVA-S/L, SVA-ST/LT, REG-SA/SB, REG, SVA-HS, SCA/X, FIA, CHV/X sizes 15 - 20**

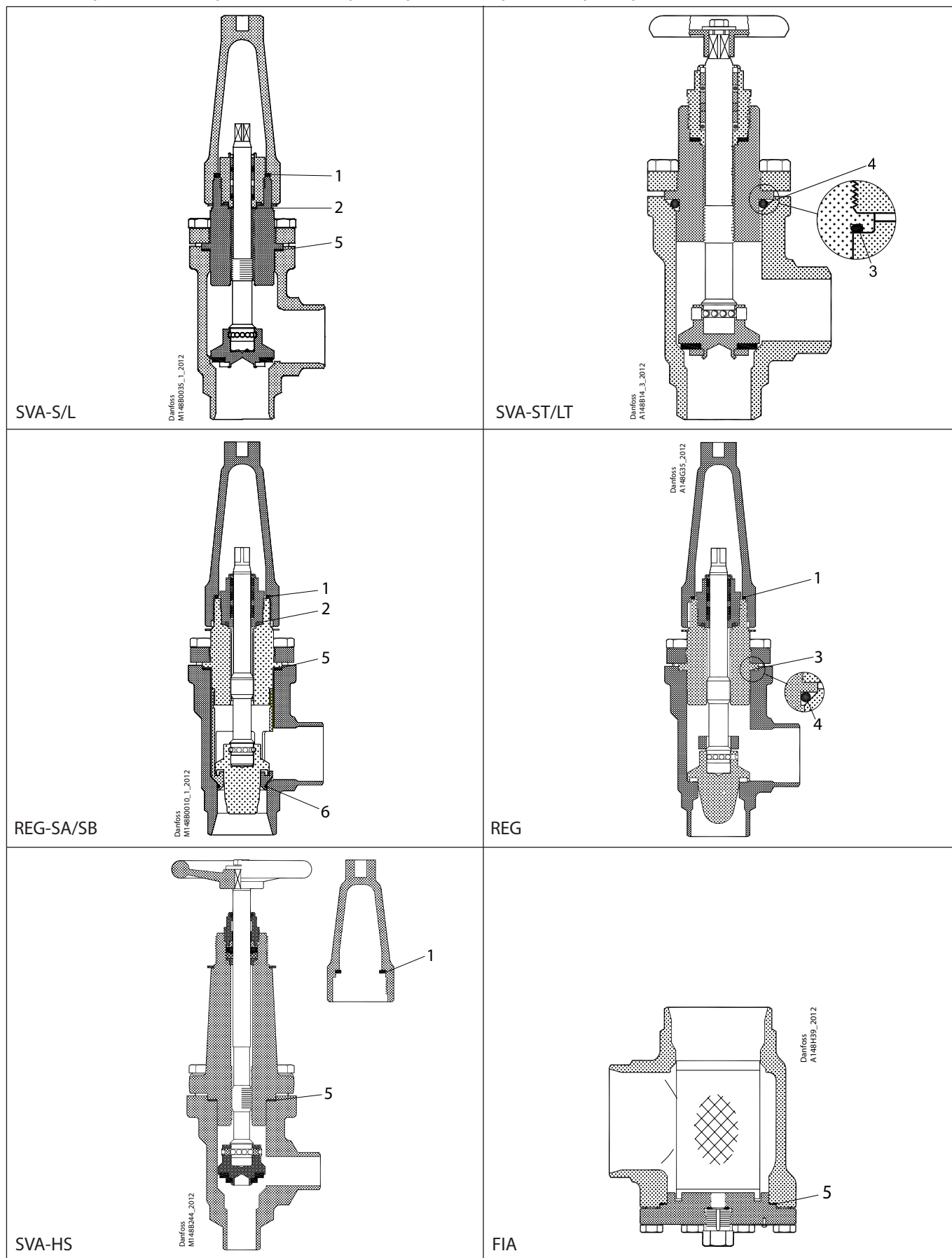


**Inspection kit | Code number 148B6051**  
**SVA-S/L, SVA-ST/LT, REG-SA/SB, REG, SVA-HS, SCA/X, FIA, CHV/X sizes 15 - 20**

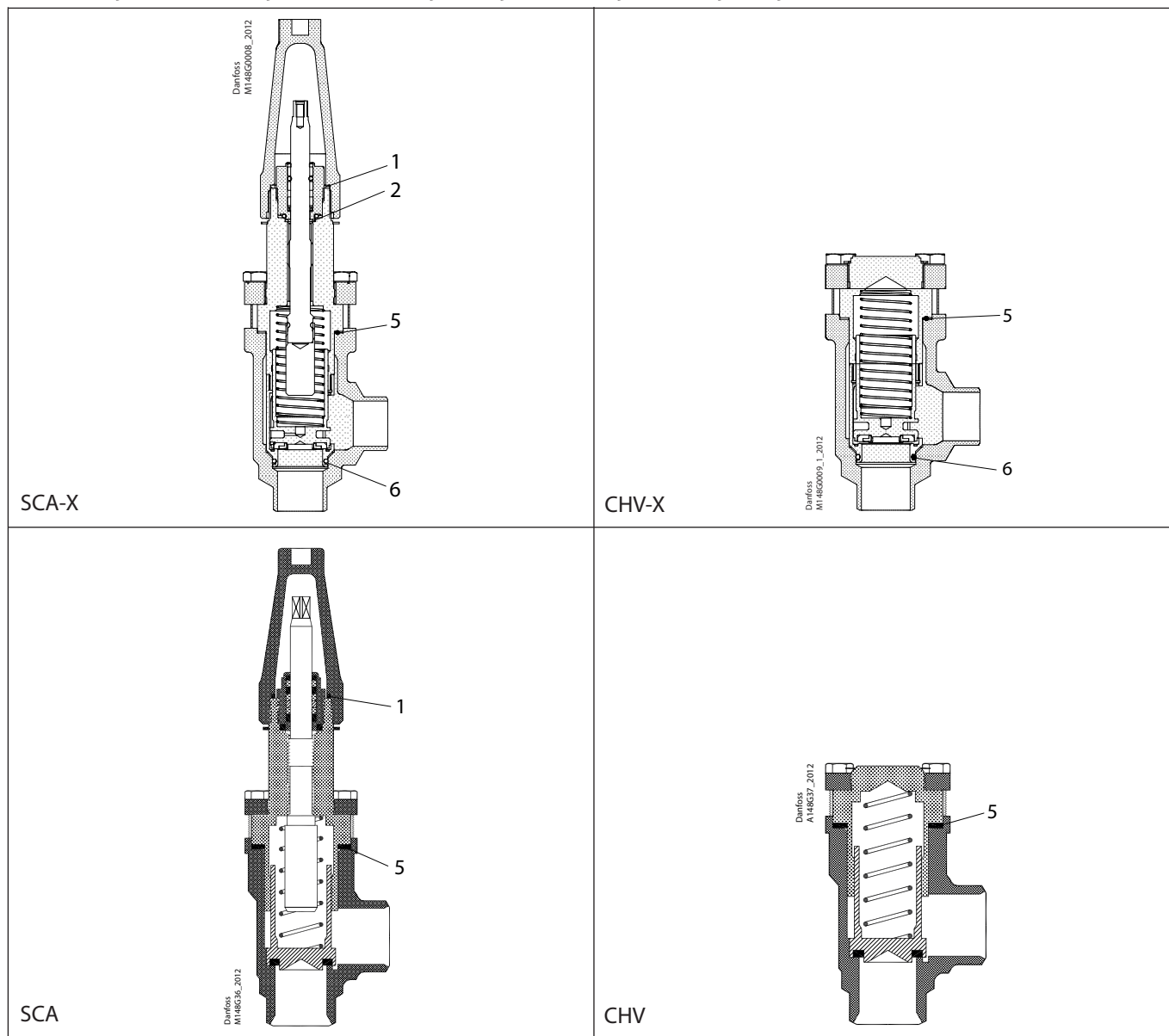


<p><b>1</b></p> <p> = Nylon</p> <p>Ø28 mm Ø1.1"</p> <p>Total no. = 1</p>	<p><b>2</b></p> <p> = Alu.</p> <p>Ø18 mm Ø0.69"</p> <p>Total no. = 1</p>	<p><b>3</b></p> <p>Ø27 mm Ø1.06"</p> <p>Total no. = 1</p>	<p><b>4</b></p> <p>Ø23 mm Ø0.91"</p> <p>Total no. = 1</p>	<p><b>5</b></p> <p> = Fibre</p> <p>Ø39 mm Ø1.55"</p> <p>Total no. = 1</p>
<p><b>6</b></p> <p>Ø17 mm Ø0.67"</p> <p>Total no. = 1</p>				

**Inspection kit | Code number 148B6052**  
**SVA-S/L, SVA-ST/LT, REG-SA/SB, REG, SVA-HS, SCA/X, FIA, CHV/X sizes 25-40**

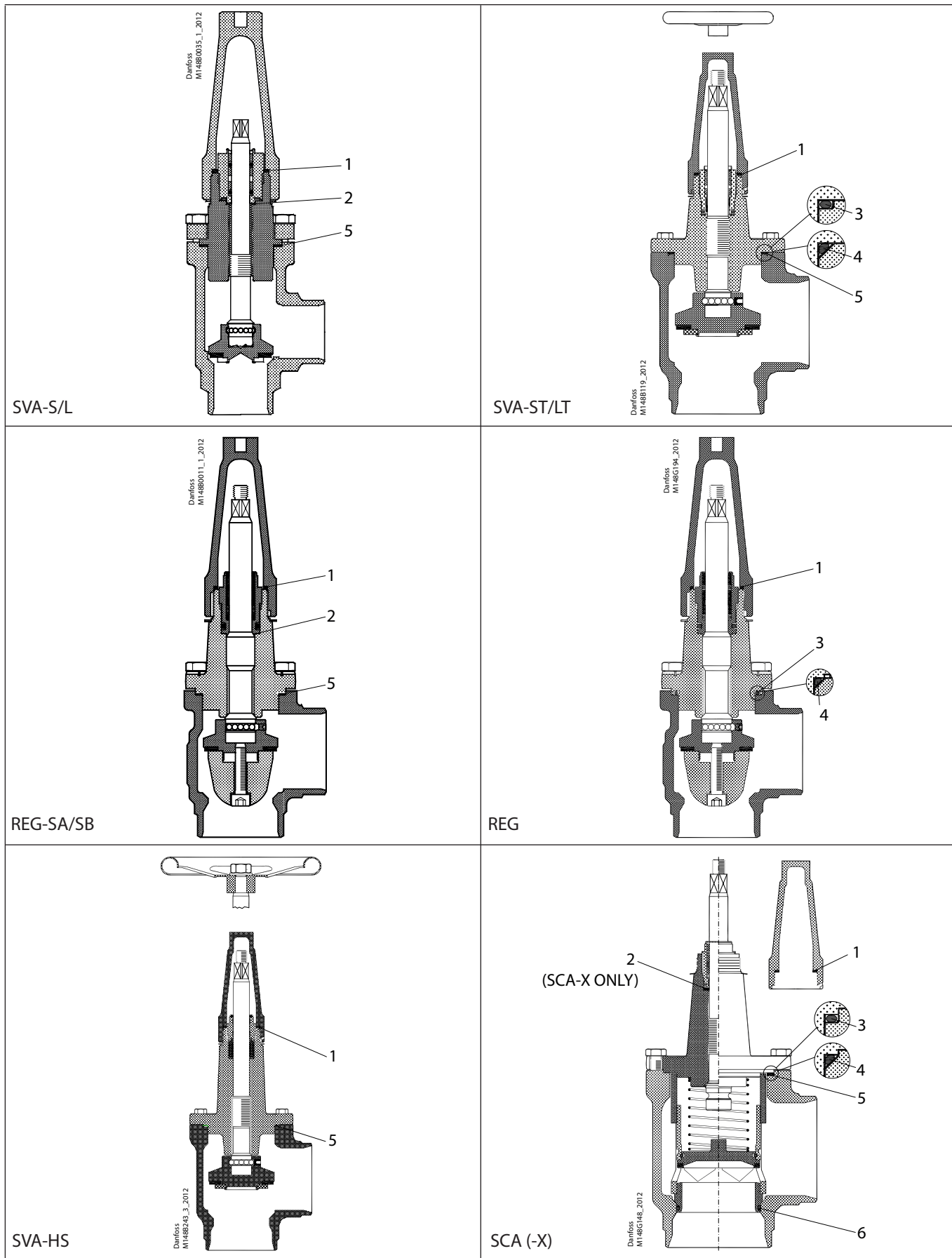


**Inspection kit | Code number 148B6052**  
**SVA-S/L, SVA-ST/LT, REG-SA/SB, REG, SVA-HS, SCA/X, FIA, CHV/X sizes 25-40**

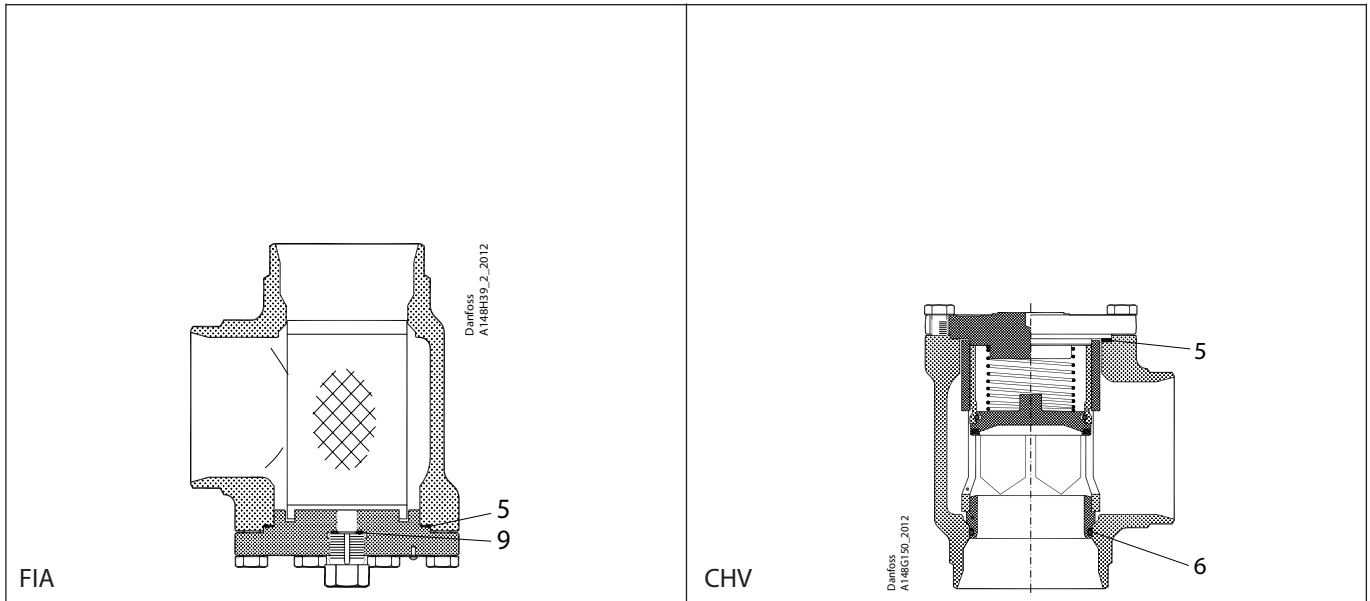


<p><b>1</b>  = Nylon</p> <p>Total no. = 1</p>	<p><b>2</b>  = Alu.</p> <p>Total no. = 1</p>	<p><b>3</b> </p> <p>Total no. = 1</p>	<p><b>4</b> </p> <p>Total no. = 1</p>	<p><b>5</b>  = Fibre</p> <p>Total no. = 1</p>
<p><b>6</b> </p> <p>Total no. = 1</p>				

**Inspection kit | Code number 148B6053**  
**SVA-S/L, SVA-ST/LT, REG-SA/SB, REG, SVA-HS, SCA/X, FIA, CHV/X size 50**



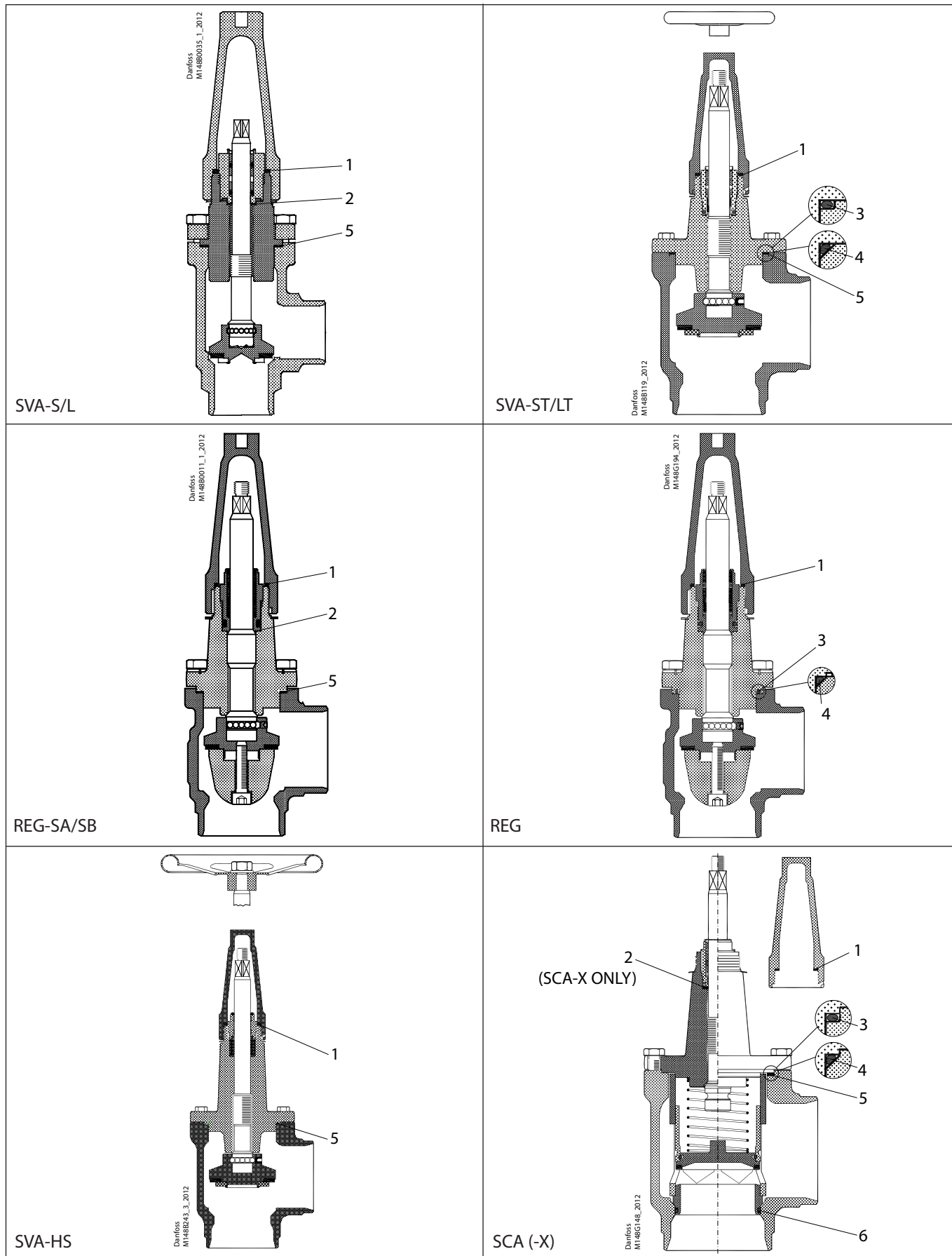
**Inspection kit | Code number 148B6053**  
**SVA-S/L, SVA-ST/LT, REG-SA/SB, REG, SVA-HS, SCA/X, FIA, CHV/X size 50**



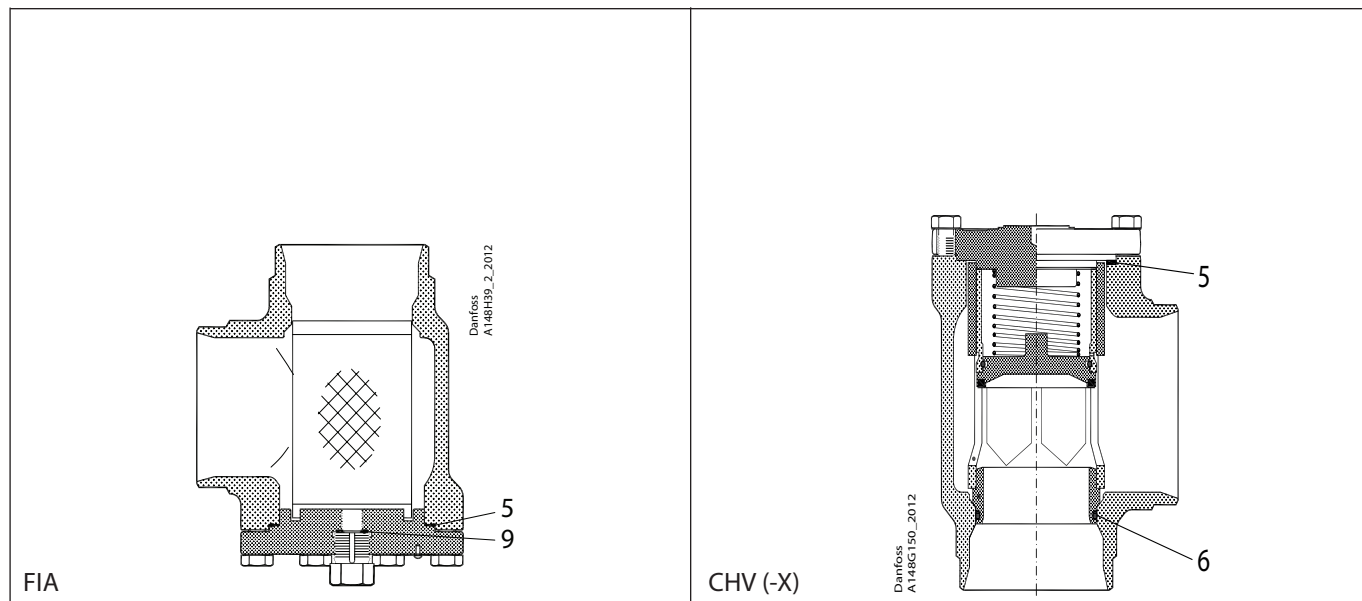
<p><b>1</b>  = Nylon</p> <p>Total no. = 1</p>	<p><b>2</b>  = Alu.</p> <p>Total no. = 1</p>	<p><b>3</b> </p> <p>Total no. = 1</p>	<p><b>4</b> </p> <p>Total no. = 1</p>	<p><b>5</b>  = Fibre</p> <p>Total no. = 1</p>
<p><b>6</b> </p> <p>Total no. = 1</p>	<p><b>9</b>  = Alu.</p> <p>Total no. = 1</p>			



**Inspection kit | Code number 148B6054**  
**SVA-S/L, SVA-ST/LT, REG-SA/SB, REG, SVA-HS, SCA/X, FIA, CHV/X size 65**

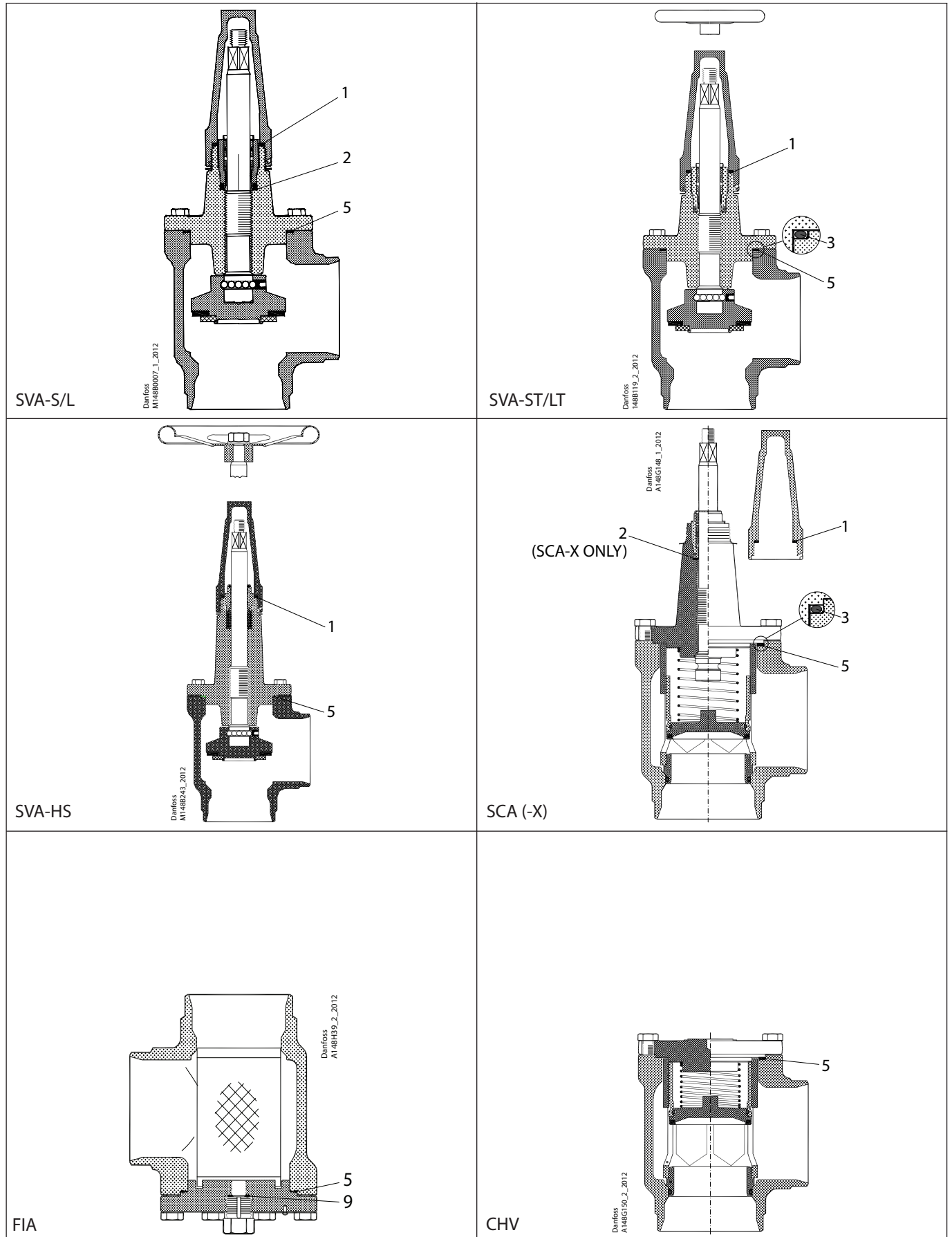


**Inspection kit | Code number 148B6054**  
**SVA-S/L, SVA-ST/LT, REG-SA/SB, REG, SVA-HS, SCA/X, FIA, CHV/X size 65**

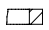
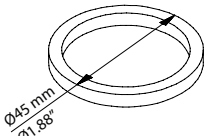
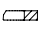
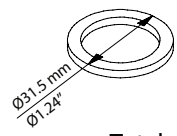
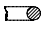
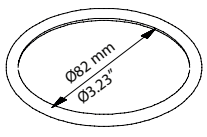
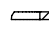
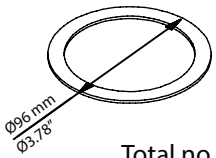
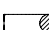
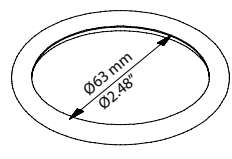
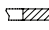
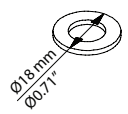


<p><b>1</b></p> <p> = Nylon</p> <p>Total no. = 1</p>	<p><b>2</b></p> <p> = Alu.</p> <p>Total no. = 1</p>	<p><b>3</b></p> <p>Total no. = 1</p>	<p><b>4</b></p> <p>Total no. = 1</p>	<p><b>5</b></p> <p> = Fibre</p> <p>Total no. = 1</p>
<p><b>6</b></p> <p>Total no. = 1</p>	<p><b>9</b></p> <p> = Alu.</p> <p>Total no. = 1</p>			

**Inspection kit | Code number 148B6055**  
**SVA-S/L, SVA-ST/LT, SVA-HS, SCA/X, FIA, CHV/X size 80**



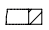
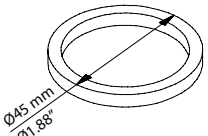
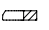
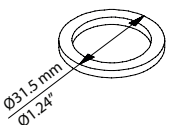

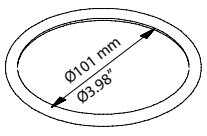
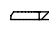
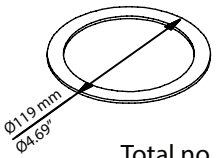
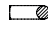
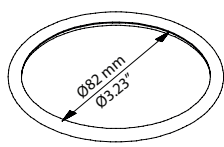
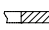
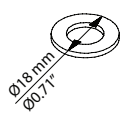
**Inspection kit | Code number 148B6055**  
**SVA-S/L, SVA-ST/LT, SVA-HS, SCA/X, FIA, CHV/X size 80**

<p><b>1</b></p> <p> = Nylon</p>  <p>Total no. = 1</p>	<p><b>2</b></p> <p> = Alu.</p>  <p>Total no. = 1</p>	<p><b>3</b></p> <p></p>  <p>Total no. = 1</p>	<p><b>5</b></p> <p> = Fibre</p>  <p>Total no. = 1</p>	<p><b>6</b></p> <p></p>  <p>Total no. = 1</p>
<p><b>9</b></p> <p> = Alu.</p>  <p>Total no. = 1</p>				

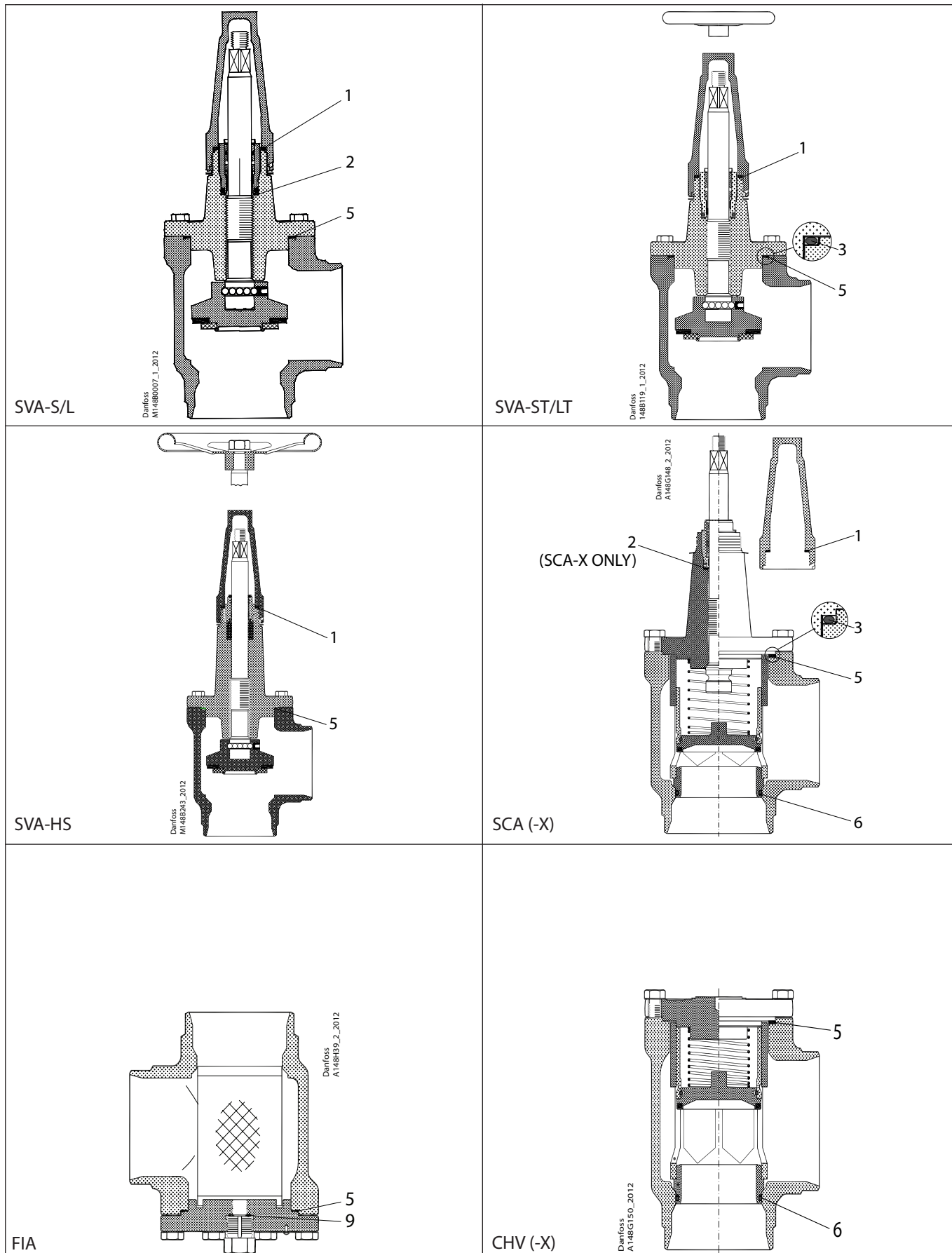
**Inspection kit | Code number 148B6056**  
**SVA-S/L, SVA-ST/LT, SVA-HS, SCA/X, FIA, CHV/X size 100**

<p>SVA-S/L</p>	<p>SVA-ST/LT</p>
<p>SVA-HS</p>	<p>SCA (-X)</p>
<p>FIA</p>	<p>CHV (-X)</p>

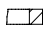
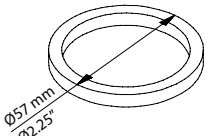
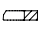
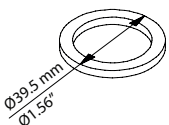
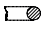
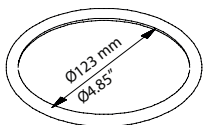
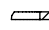
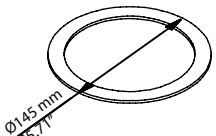
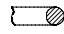
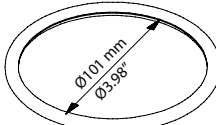
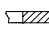
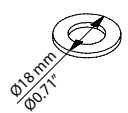
**Inspection kit | Code number 148B6056**  
**SVA-S/L, SVA-ST/LT, SVA-HS, SCA/X, FIA, CHV/X size 100**

<p><b>1</b></p> <p> = Nylon</p>  <p>Ø45 mm Ø38 mm</p> <p>Total no. = 1</p>	<p><b>2</b></p> <p> = Alu.</p>  <p>Ø31.5 mm Ø24 mm</p> <p>Total no. = 1</p>	<p><b>3</b></p> <p></p>  <p>Ø101 mm Ø98 mm</p> <p>Total no. = 1</p>	<p><b>5</b></p> <p> = Fibre</p>  <p>Ø119 mm Ø69 mm</p> <p>Total no. = 1</p>	<p><b>6</b></p> <p></p>  <p>Ø82 mm Ø73 mm</p> <p>Total no. = 1</p>
<p><b>9</b></p> <p> = Alu.</p>  <p>Ø18 mm Ø7 mm</p> <p>Total no. = 1</p>				

**Inspection kit | Code number 148B6057**  
**SVA-S/L, SVA-ST/LT, SVA-HS, SCA/X, FIA, CHV/X size 125**

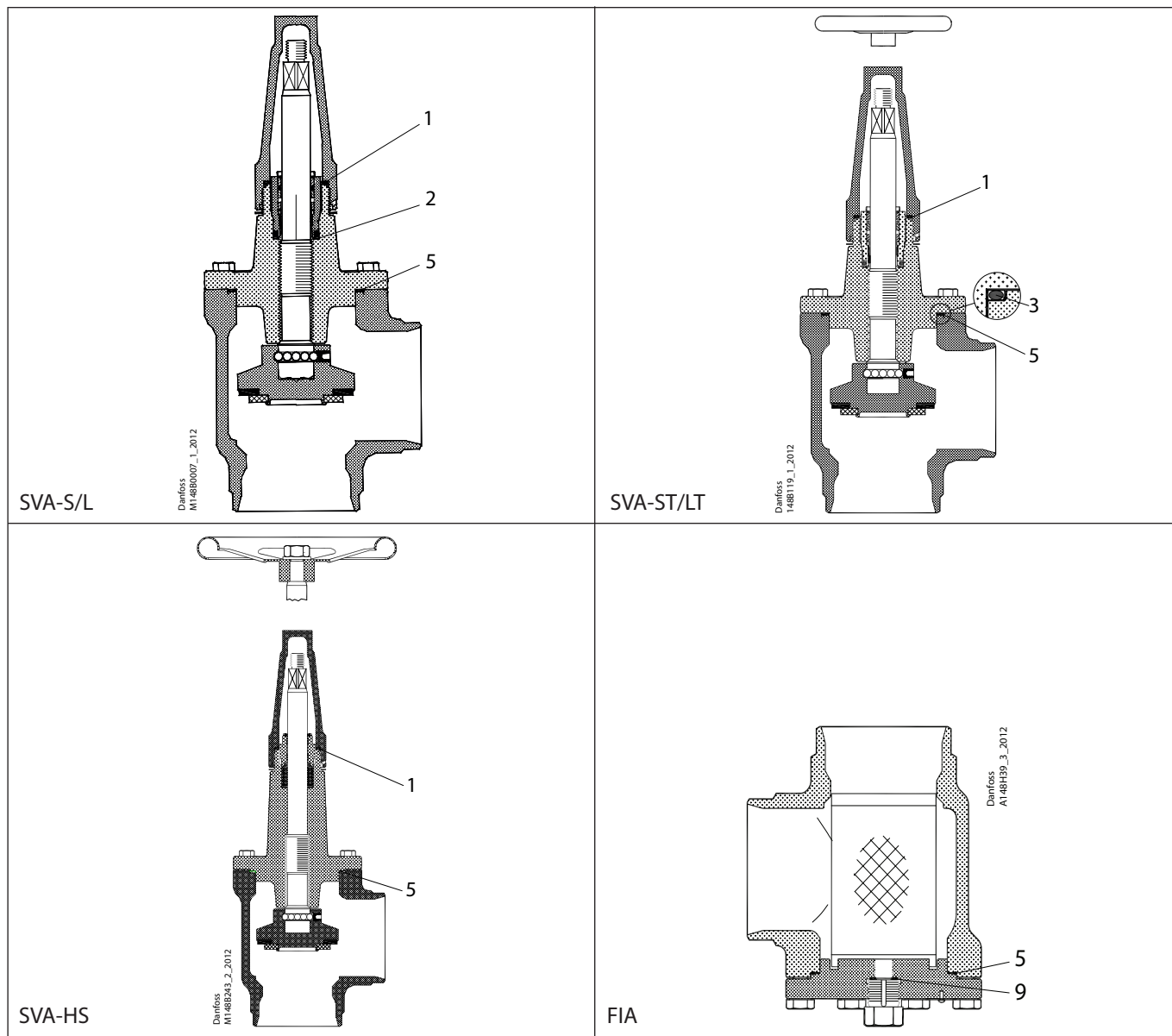


**Inspection kit | Code number 148B6057**  
**SVA-S/L, SVA-ST/LT, SVA-HS, SCA/X, FIA, CHV/X size 125**

<p><b>1</b></p> <p> = Nylon</p>  <p>Total no. = 1</p>	<p><b>2</b></p> <p> = Alu.</p>  <p>Total no. = 1</p>	<p><b>3</b></p>   <p>Total no. = 1</p>	<p><b>5</b></p> <p> = Fibre</p>  <p>Total no. = 1</p>	<p><b>6</b></p>   <p>Total no. = 1</p>
<p><b>9</b></p> <p> = Alu.</p>  <p>Total no. = 1</p>				

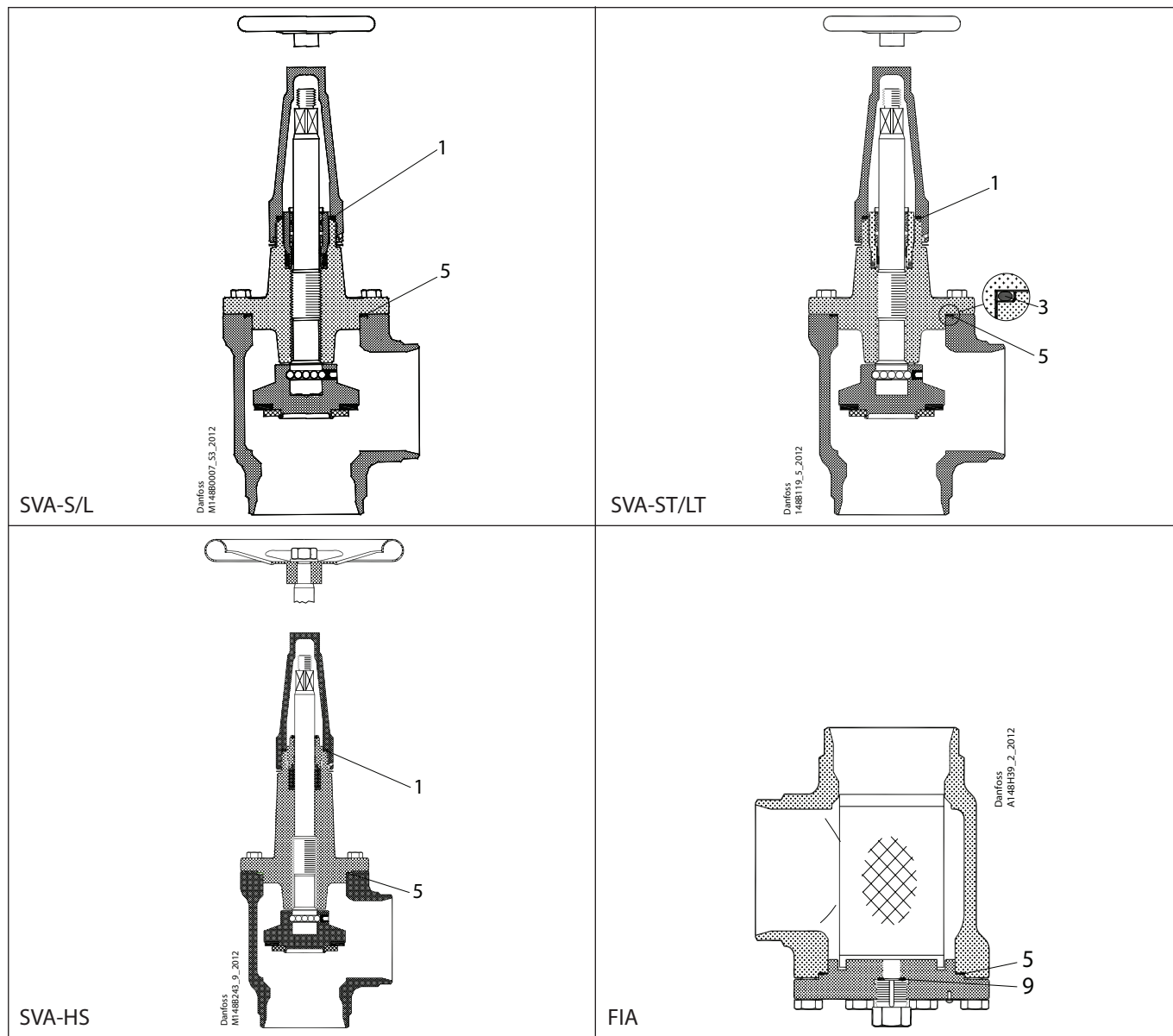


**Inspection kit | Code number 148B6058**  
**SVA-S/L, SVA-ST/LT, SVA-HS, FIA size 150**



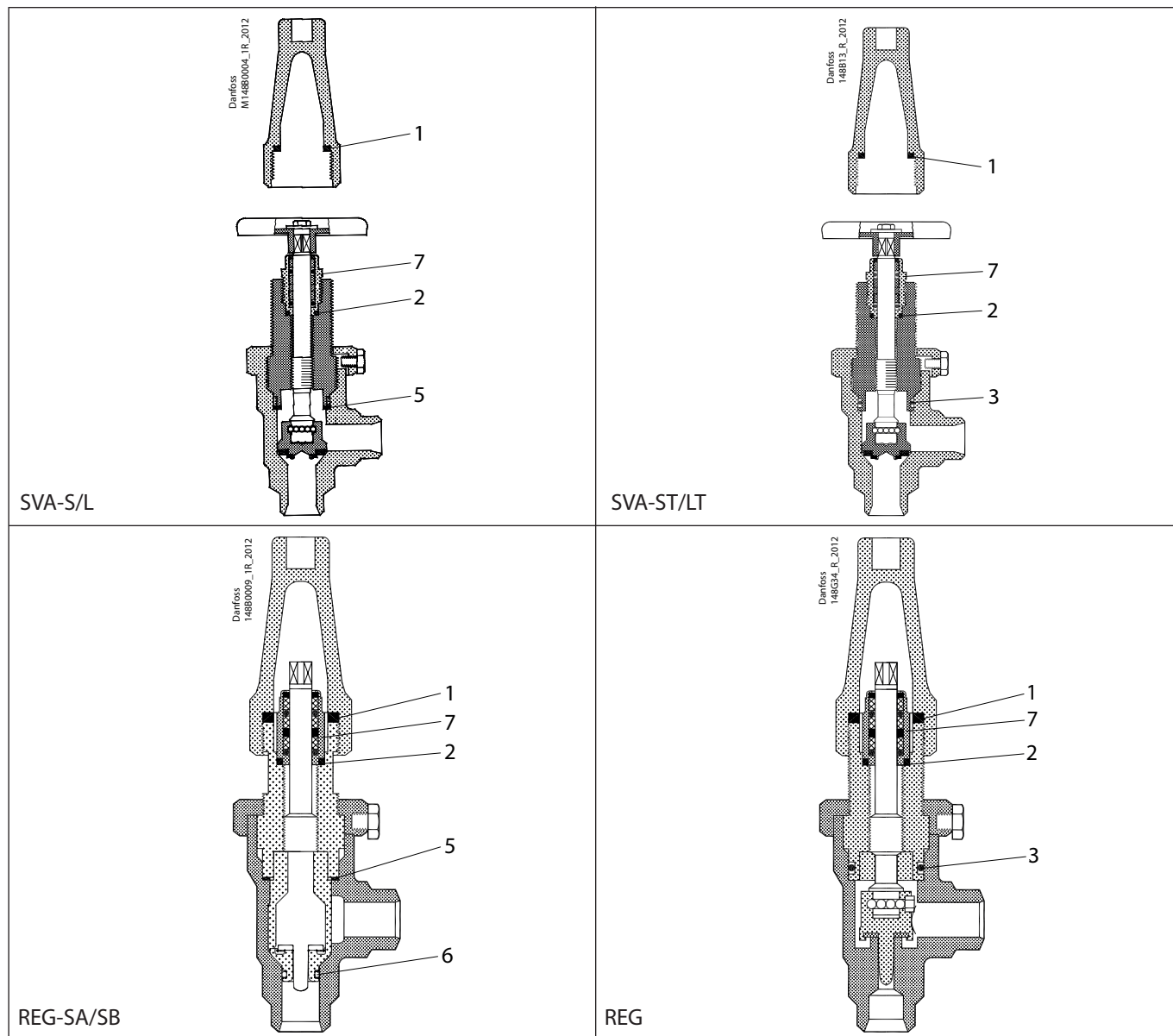
<p><b>1</b>  = Nylon</p> <p>Total no. = 1</p>	<p><b>2</b>  = Alu.</p> <p>Total no. = 1</p>	<p><b>3</b>  = Alu.</p> <p>Total no. = 1</p>	<p><b>5</b>  = Fibre</p> <p>Total no. = 1</p>	<p><b>9</b>  = Alu.</p> <p>Total no. = 1</p>
---	--	--	---	--

**Inspection kit | Code number 148B6059**  
**SVA-S/L, SVA-ST/LT, SVA-HS, FIA size 200**



<p><b>1</b>  = Nylon</p> <p>Total no. = 1</p>	<p><b>3</b> </p> <p>Total no. = 1</p>	<p><b>5</b>  = Fibre</p> <p>Total no. = 1</p>	<p><b>9</b>  = Alu.</p> <p>Total no. = 1</p>	
---	---------------------------------------	---	--	--

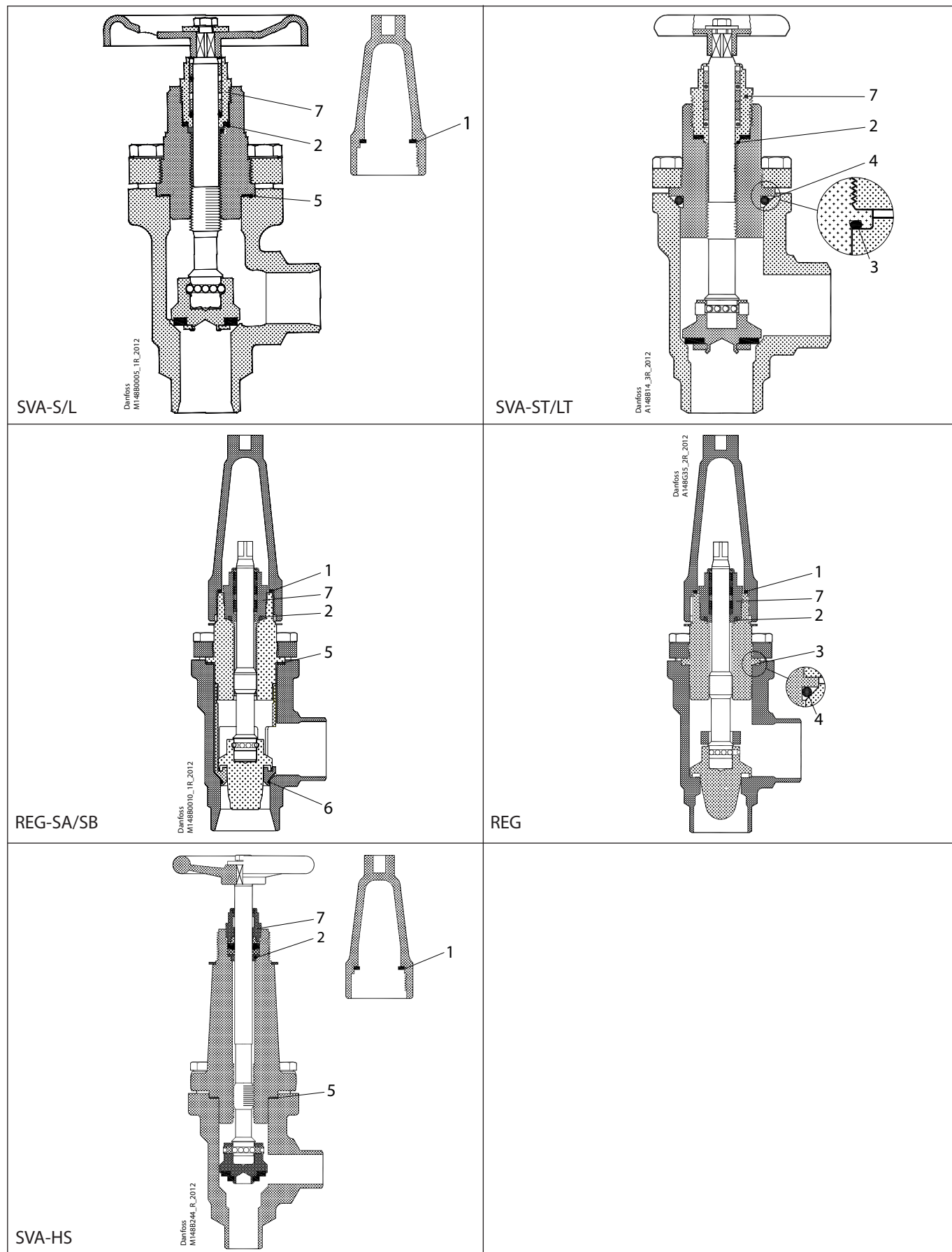
**Repair kit | Code number 148B6060**  
**SVA-S/L, SVA-ST/LT sizes 6 to 10, REG-SA/SB, REG size 10**



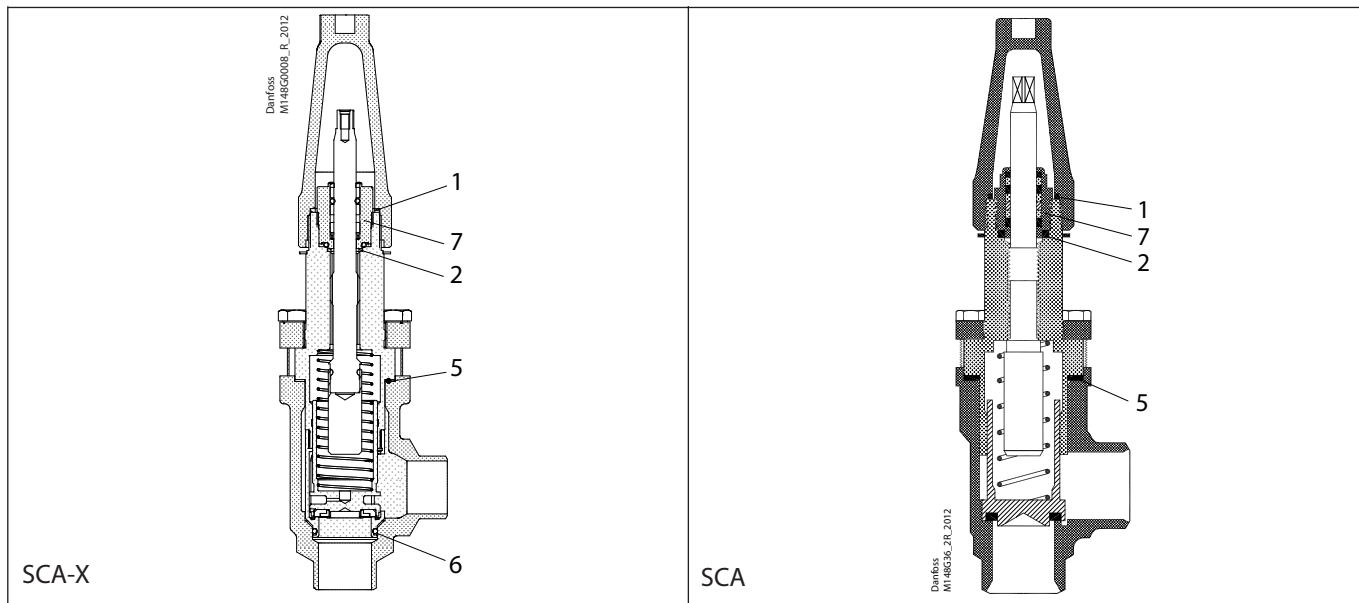
<p><b>1</b></p> <p> = Nylon</p> <p>Total no. = 1</p>	<p><b>2</b></p> <p> = Alu.</p> <p>Total no. = 1</p>	<p><b>3</b></p> <p>Total no. = 1</p>	<p><b>5</b></p> <p> = Alu.</p> <p>Total no. = 1</p>	<p><b>6</b></p> <p>Total no. = 1</p>
<p><b>7</b></p> <p>Total no. = 1</p>				

**NOTE:** When replacing the packing gland (pos. 7) in SVA-ST, SVA-S/L, SVA-HS or REG the aluminium gasket (pos. 2) is needed.

**Repair kit | Code number 148B6061**  
**SVA-S/L, SVA-ST/LT, REG-SA/SB, REG, SVA-HS, SCA/X sizes 15 - 20**



**Repair kit | Code number 148B6061**  
**SVA-S/L, SVA-ST/LT, REG-SA/SB, REG, SVA-HS, SCA/X sizes 15 - 20**

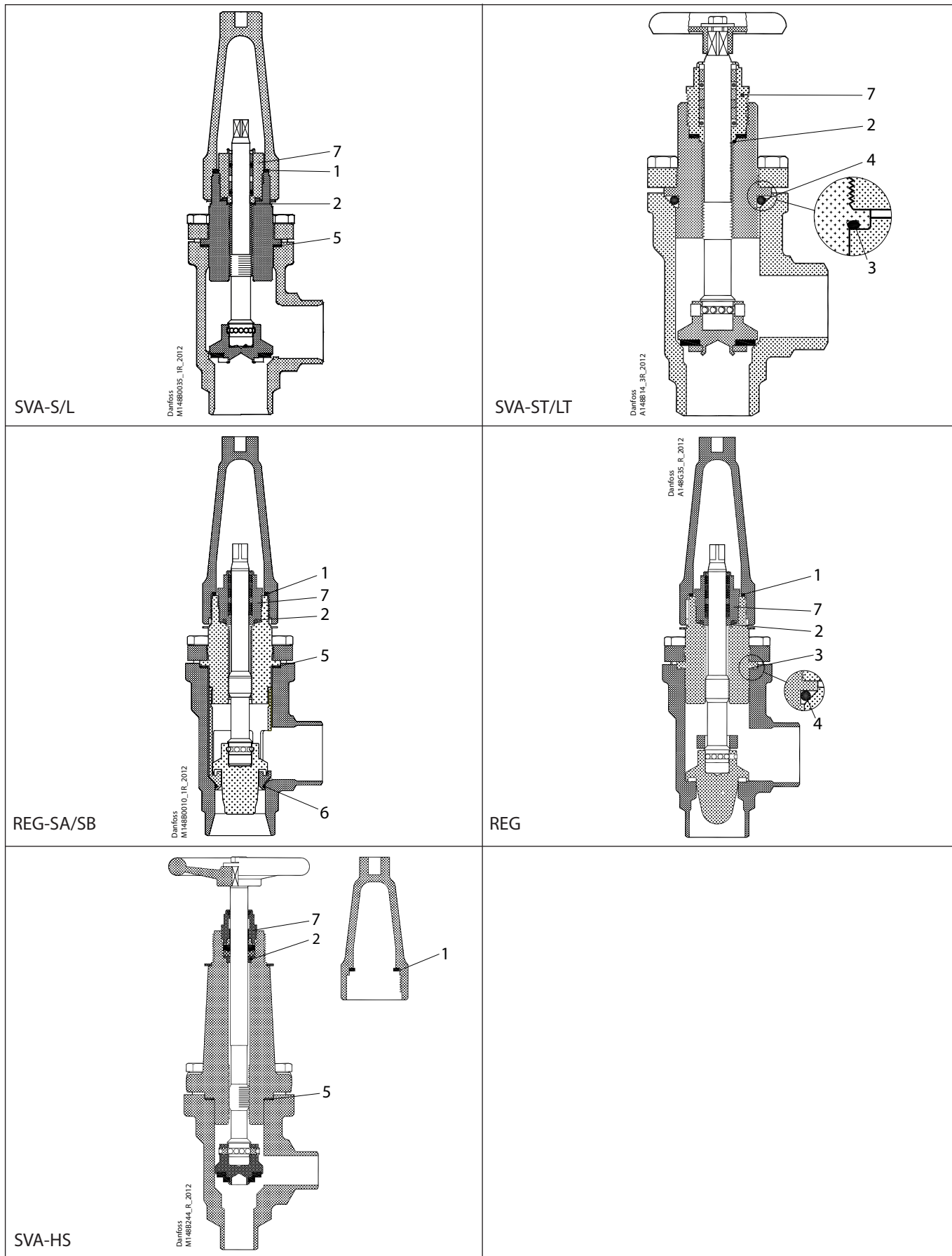


<p><b>1</b>  = Nylon</p> <p>Total no. = 1</p>	<p><b>2</b>  = Alu.</p> <p>Total no. = 1</p>	<p><b>3</b> </p> <p>Total no. = 1</p>	<p><b>4</b> </p> <p>Total no. = 1</p>	<p><b>5</b>  = Fibre</p> <p>Total no. = 1</p>
<p><b>6</b> </p> <p>Total no. = 1</p>	<p><b>7</b> <p>Total no. = 1</p> </p>			

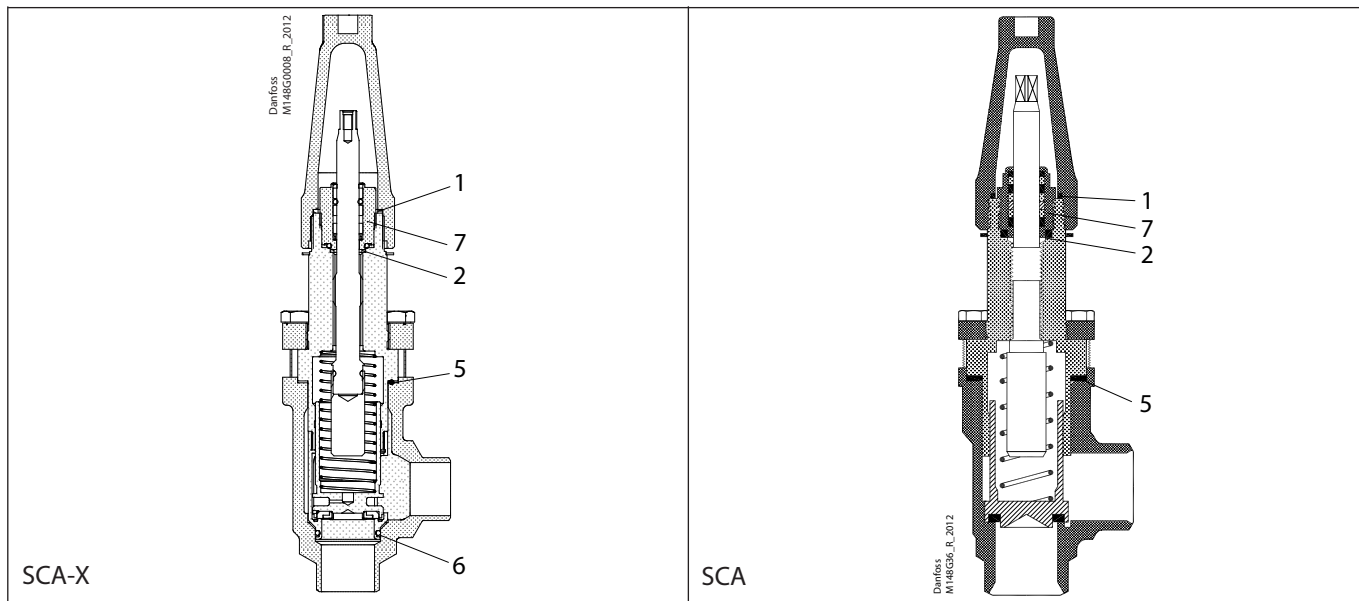
**NOTE:**

When replacing the packing gland (pos. 7) in SVA-ST, SVA-S/L, SVA-HS, REG-SA/SB, REG, SCA or SCA-X the aluminium gasket (pos. 2) is needed.

**Repair kit | Code number 148B6062**  
**SVA-S/L, SVA-ST/LT, REG-SA/SB, REG, SVA-HS, SCA/X sizes 25-40**



**Repair kit | Code number 148B6062**  
**SVA-S/L, SVA-ST/LT, REG-SA/SB, REG, SVA-HS, SCA/X sizes 25-40**

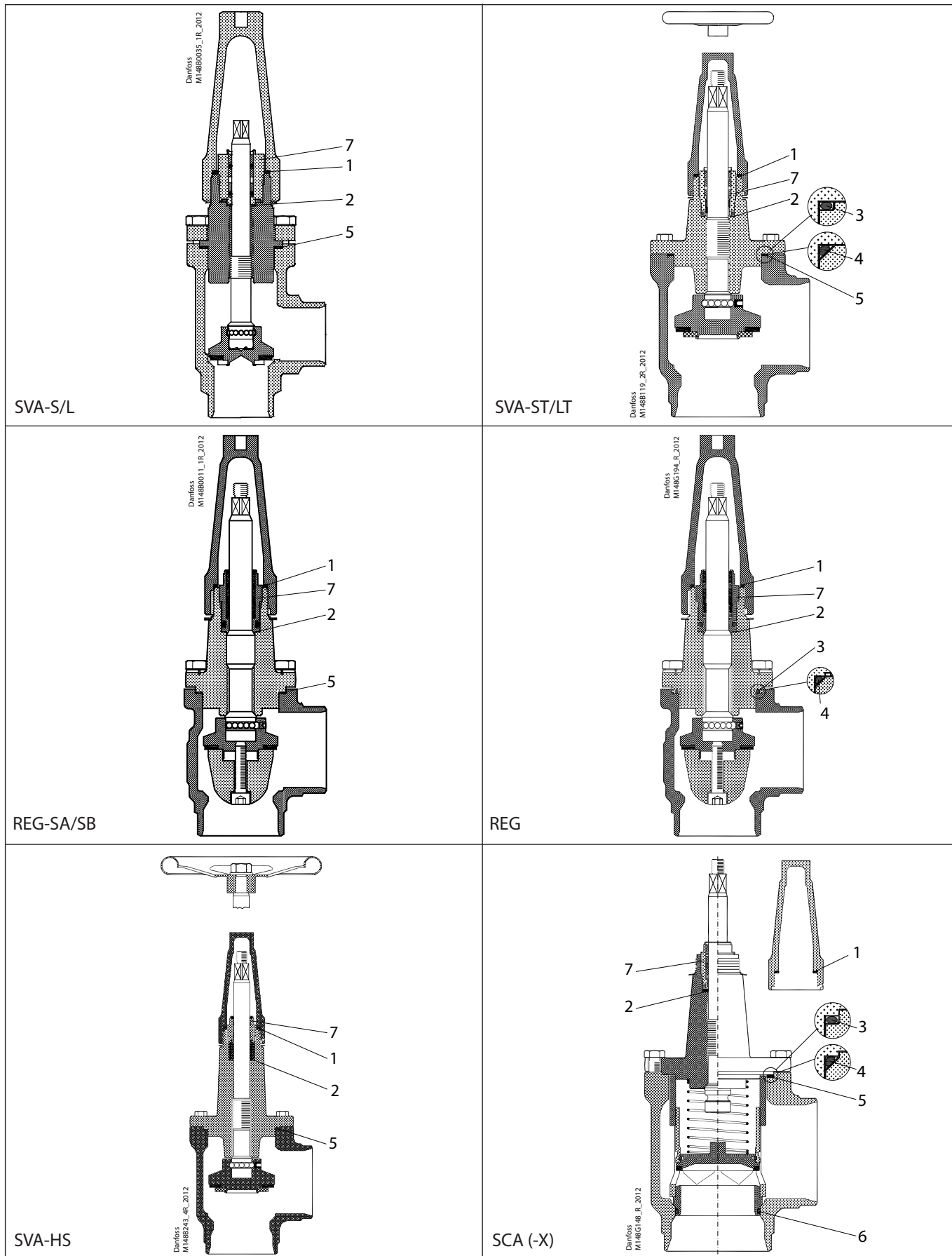


<p><b>1</b>  = Nylon</p> <p>Total no. = 1</p>	<p><b>2</b>  = Alu.</p> <p>Total no. = 1</p>	<p><b>3</b> </p> <p>Total no. = 1</p>	<p><b>4</b> </p> <p>Total no. = 1</p>	<p><b>5</b>  = Fibre</p> <p>Total no. = 1</p>
<p><b>6</b> </p> <p>Total no. = 1</p>	<p><b>7</b> </p> <p>Ø28 mm / Ø1.1\"/&gt; <p>Total no. = 1</p> </p>	<p><b>8*</b> </p> <p>Total no. = 1</p>		

**NOTE:**

When replacing the packing gland (pos. 7) in SVA-ST, SVA-S/L, SVA-HS, REG, REG-SA/SB, SCA or SCA-X the aluminium gasket (pos. 2) is needed.

**Repair kit | Code number 148B6063**  
**SVA-S/L, SVA-ST/LT, REG-SA/SB, REG, SVA-HS, SCA/X size 50**





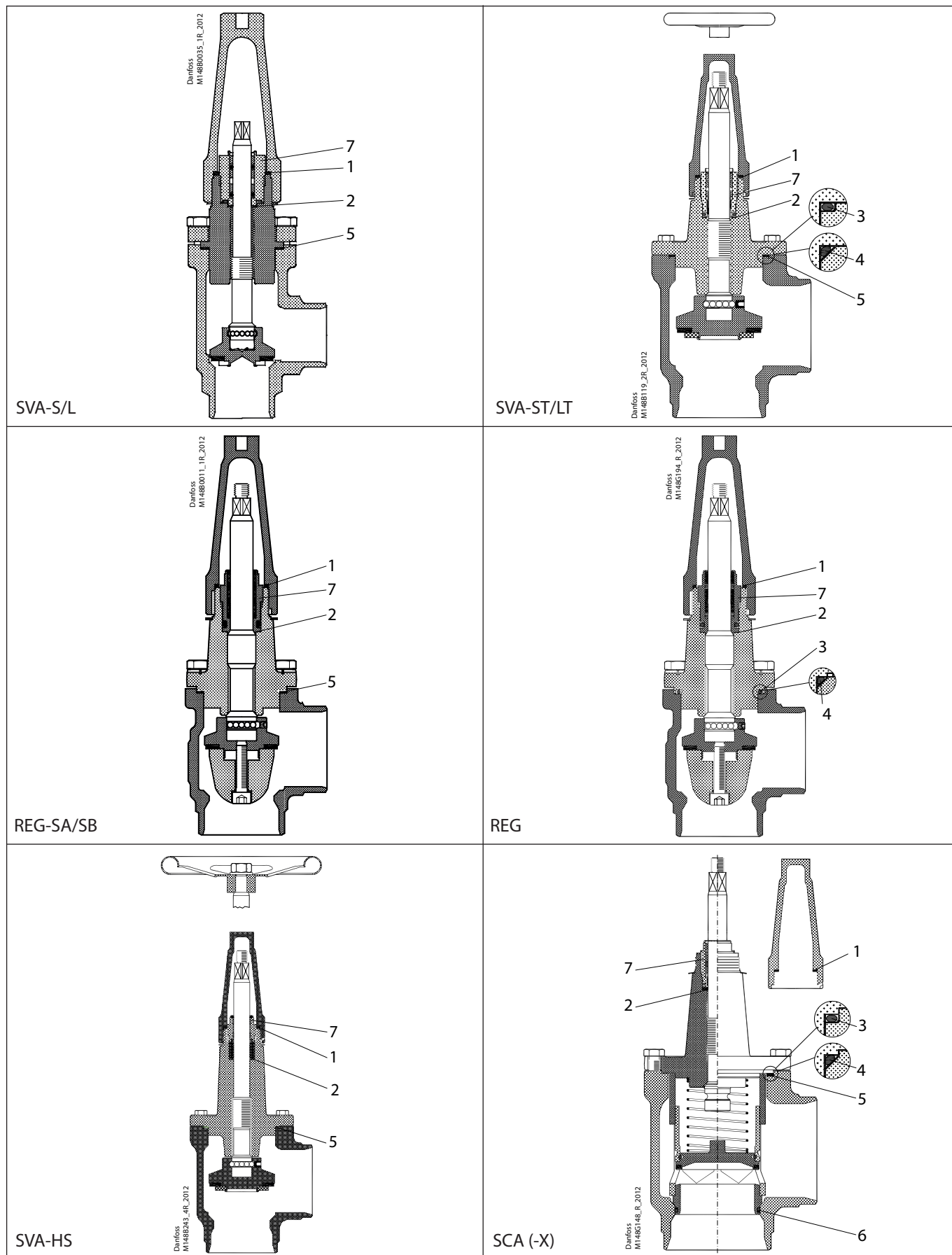
**Repair kit | Code number 148B6063**  
**SVA-S/L, SVA-ST/LT, REG-SA/SB, REG, SVA-HS, SCA/X size 50**

<p><b>1</b></p> <p> = Nylon</p> <p>Total no. = 1</p>	<p><b>2</b></p> <p> = Alu.</p> <p>Total no. = 1</p>	<p><b>3</b></p> <p>Total no. = 1</p>	<p><b>4</b></p> <p>Total no. = 1</p>	<p><b>5</b></p> <p> = Fibre</p> <p>Total no. = 1</p>
<p><b>6</b></p> <p>Total no. = 1</p>	<p><b>7</b></p> <p>Total no. = 1</p>			

**NOTE:**

When replacing the packing gland (pos. 7) in SVA-ST, SVA-S/L, SVA-HS, REG-SA/B, REG, SCA-X and SCA the aluminium gasket (pos. 2) is needed.

**Repair kit | Code number 148B6064**  
**SVA-S/L, SVA-ST/LT, REG-SA/SB, REG, SVA-HS, SCA/X, size 65**



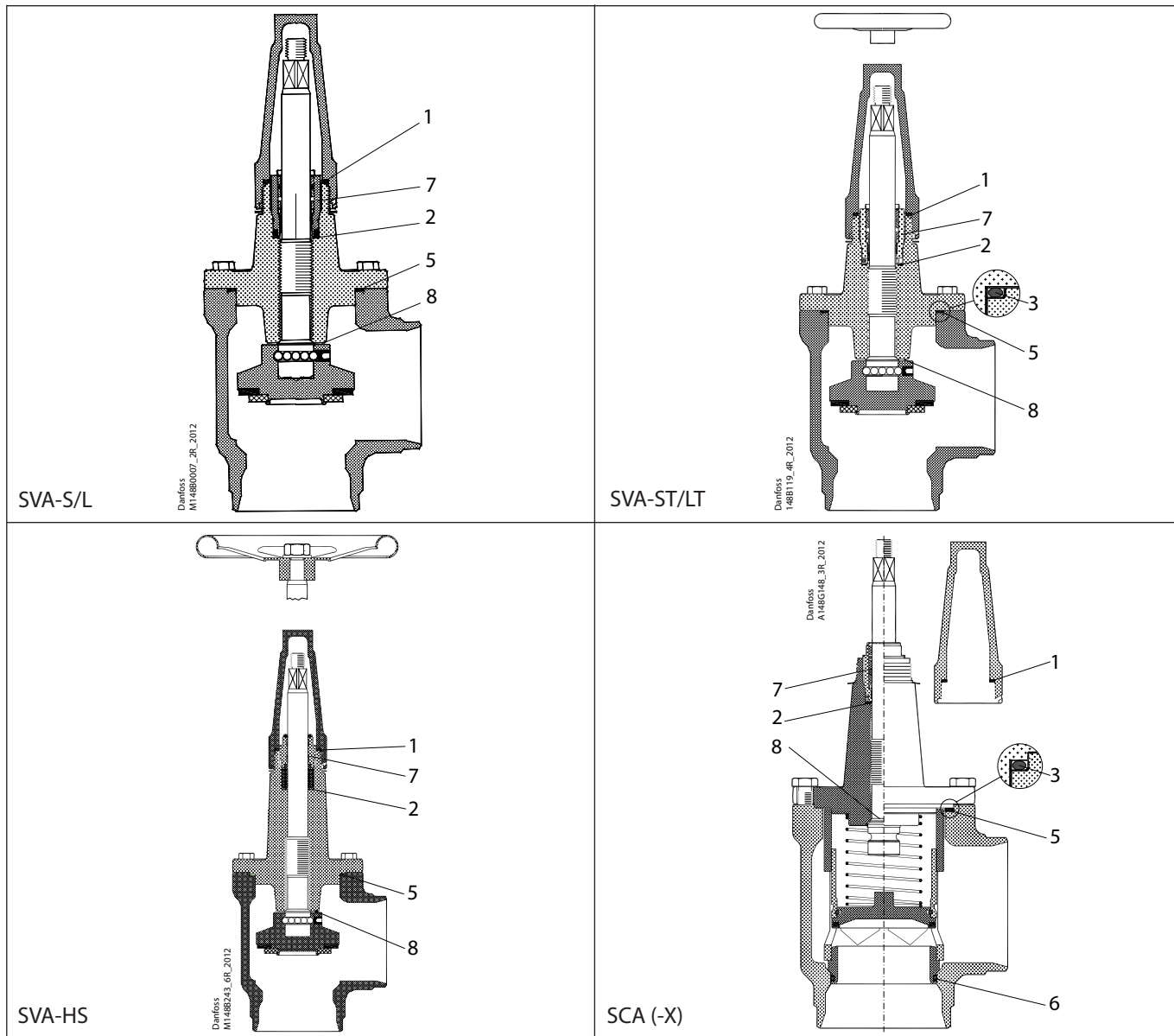
**Repair kit | Code number 148B6064**  
**SVA-S/L, SVA-ST/LT, REG-SA/SB, REG, SVA-HS, SCA/X, size 65**

<p><b>1</b></p> <p> = Nylon</p> <p>Total no. = 1</p>	<p><b>2</b></p> <p> = Alu.</p> <p>Total no. = 1</p>	<p><b>3</b></p> <p>Total no. = 1</p>	<p><b>4</b></p> <p>Total no. = 1</p>	<p><b>5</b></p> <p> = Fibre</p> <p>Total no. = 1</p>
<p><b>6</b></p> <p>Total no. = 1</p>	<p><b>7</b></p> <p>Total no. = 1</p>			

**NOTE:**

When replacing the packing gland (pos. 7) in SVA-ST, SVA-S/L, SVA-HS, REG-SA/B, REG, SCA-X and SCA the aluminium gasket (pos. 2) is needed.

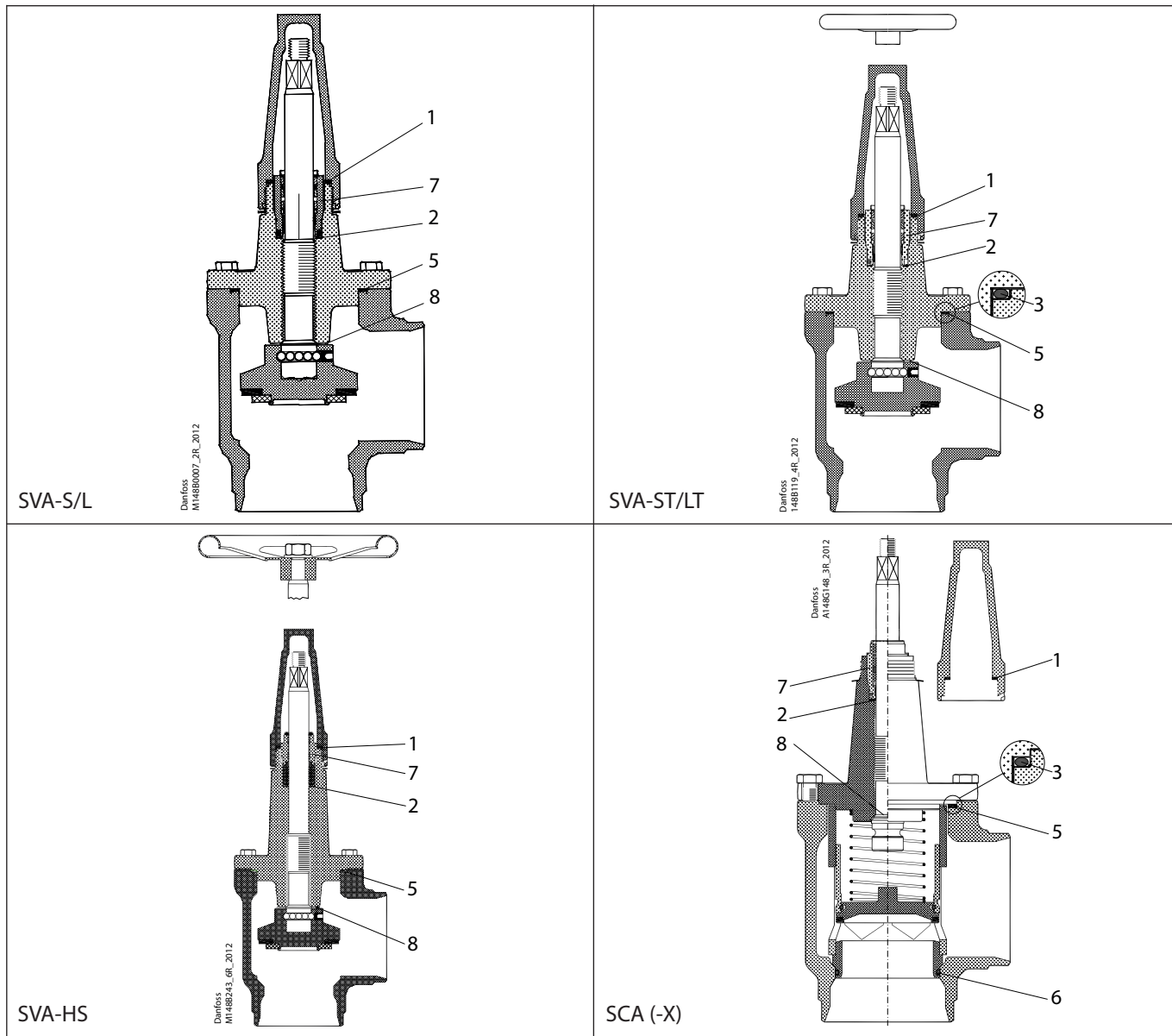
Repair kit | Code number 148B6065  
SVA-S/L, SVA-ST/LT, SVA-HS, SCA/X size 80



<p><b>1</b></p> <p> = Nylon</p> <p>Total no. = 1</p>	<p><b>2</b></p> <p> = Alu.</p> <p>Total no. = 1</p>	<p><b>3</b></p> <p>Total no. = 1</p>	<p><b>5</b></p> <p> = Fibre</p> <p>Total no. = 1</p>	<p><b>6</b></p> <p>Total no. = 1</p>
<p><b>7</b></p> <p>Total no. = 1</p>	<p><b>8</b></p> <p> = PTFE</p> <p>Total no. = 1</p>			

**NOTE:** When replacing the packing gland (pos. 7) in SVA-ST, SVA-S/L, SVA-HS, SCA-X and SCA the aluminium gasket (pos. 2) is needed.

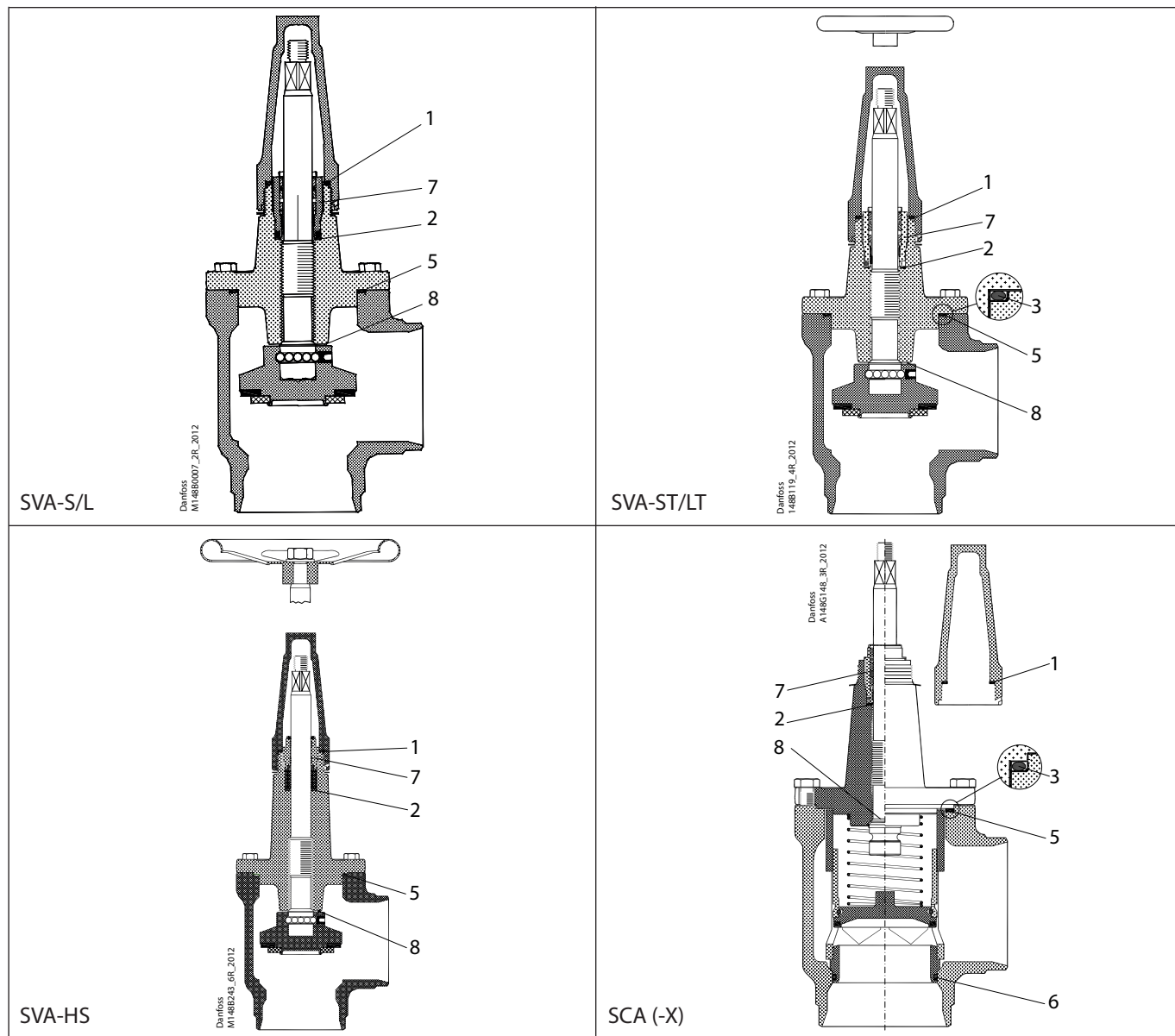
**Repair kit | Code number 148B6066**  
**SVA-S/L, SVA-ST/LT, SVA-HS, SCA/X size 100**



<p><b>1</b></p> <p> = Nylon</p> <p>Ø45 mm Ø1.98"</p> <p>Total no. = 1</p>	<p><b>2</b></p> <p> = Alu.</p> <p>Ø31.5 mm Ø1.24"</p> <p>Total no. = 1</p>	<p><b>3</b></p> <p>Ø101 mm Ø3.98"</p> <p>Total no. = 1</p>	<p><b>5</b></p> <p> = Fibre</p> <p>Ø119 mm Ø4.69"</p> <p>Total no. = 1</p>	<p><b>6</b></p> <p>Ø82 mm Ø3.23"</p> <p>Total no. = 1</p>
<p><b>7</b></p> <p>Ø32 mm Ø1.26"</p> <p>Total no. = 1</p>	<p><b>8</b></p> <p> = PTFE</p> <p>Ø20 mm Ø1.18"</p> <p>Total no. = 1</p>			

**NOTE:** When replacing the packing gland (pos. 7) in SVA-ST, SVA-S/L, SVA-HS, SCA-X and SCA the aluminium gasket (pos. 2) is needed.

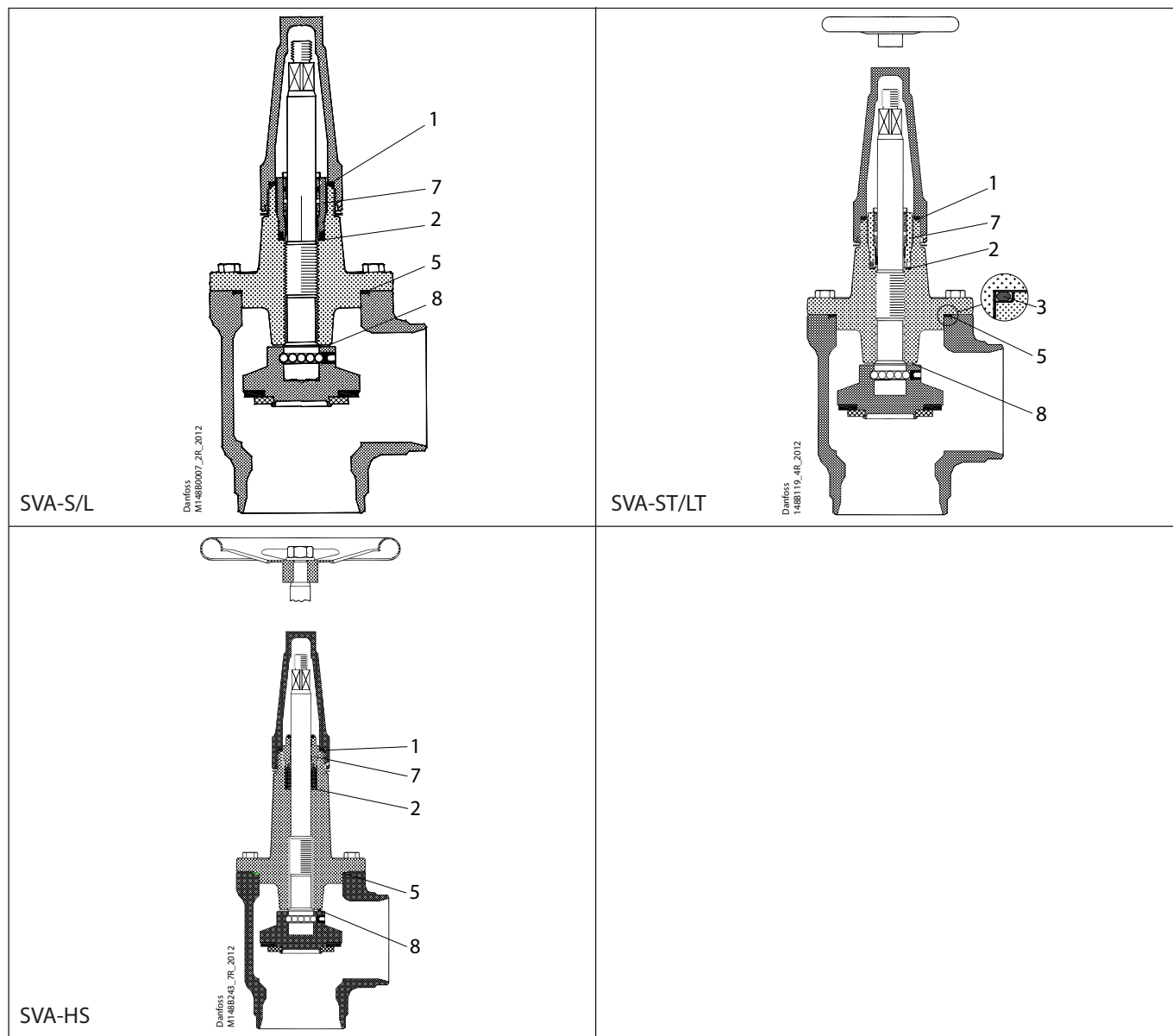
Repair kit | Code number 148B6067  
SVA-S/L, SVA-ST/LT, SVA-HS, SCA/X size 125



<p><b>1</b></p> <p> = Nylon</p> <p>Total no. = 1</p>	<p><b>2</b></p> <p> = Alu.</p> <p>Total no. = 1</p>	<p><b>3</b></p> <p>Total no. = 1</p>	<p><b>5</b></p> <p> = Fibre</p> <p>Total no. = 1</p>	<p><b>6</b></p> <p>Total no. = 1</p>
<p><b>7</b></p> <p>Total no. = 1</p>	<p><b>8</b></p> <p> = PTFE</p> <p>Total no. = 1</p>			

**NOTE:** When replacing the packing gland (pos. 7) in SVA-ST, SVA-S/L, SVA-HS, SCA-X and SCA the aluminium gasket (pos. 2) is needed.

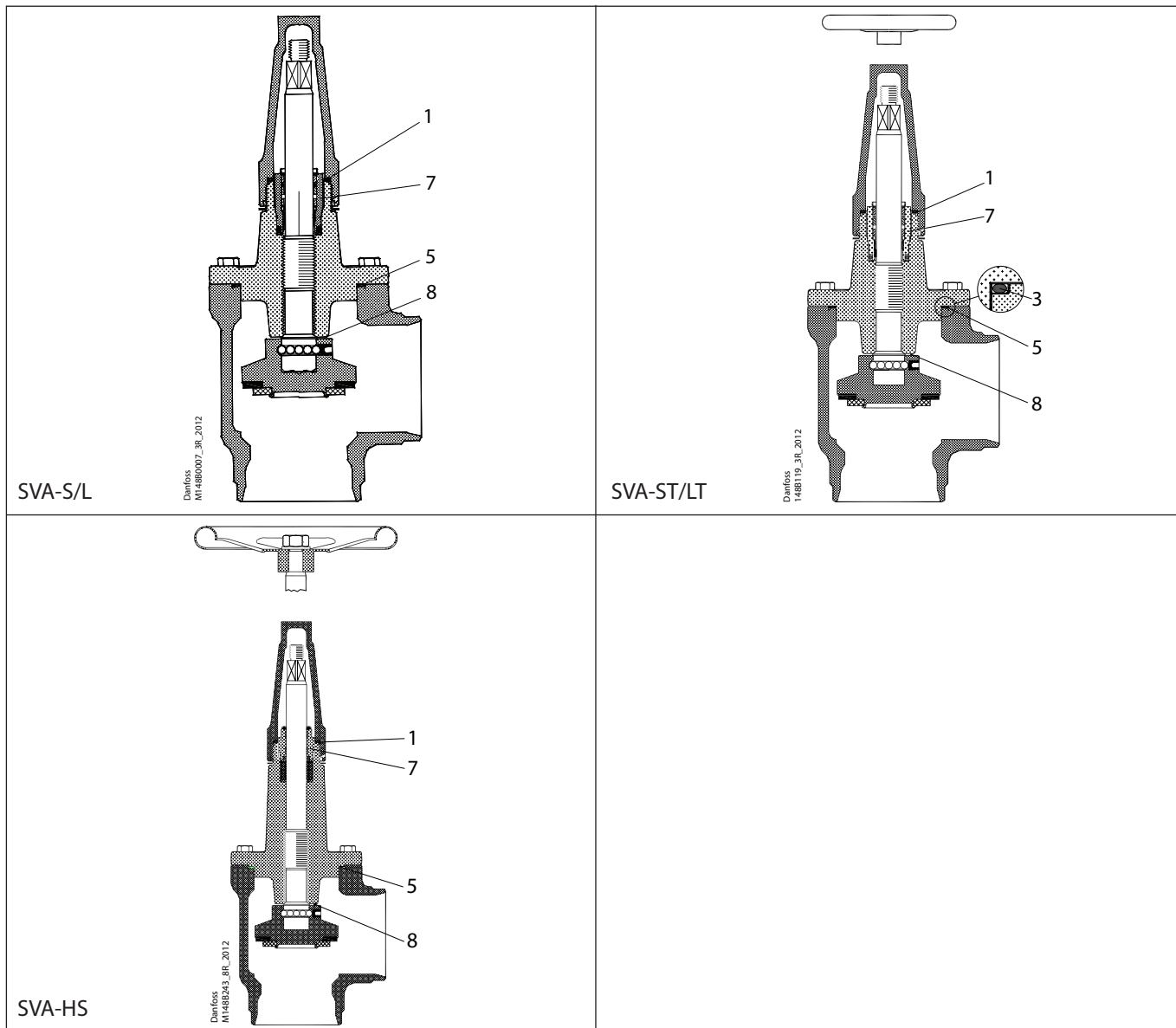
**Repair kit | Code number 148B6068**  
**SVA-S/L, SVA-ST/LT, SVA-HS size 150**



<p><b>1</b></p> <p> = Nylon</p> <p>Total no. = 1</p>	<p><b>2</b></p> <p> = Alu.</p> <p>Total no. = 1</p>	<p><b>3</b></p> <p>Total no. = 1</p>	<p><b>5</b></p> <p> = Fibre</p> <p>Total no. = 1</p>	<p><b>7</b></p> <p>Total no. = 1</p>
<p><b>8</b></p> <p> = PTFE</p> <p>Total no. = 1</p>				

**NOTE:** When replacing the packing gland (pos. 7) in SVA-ST, SVA-S/L or SVA-HS the aluminium gasket (pos. 2) is needed.

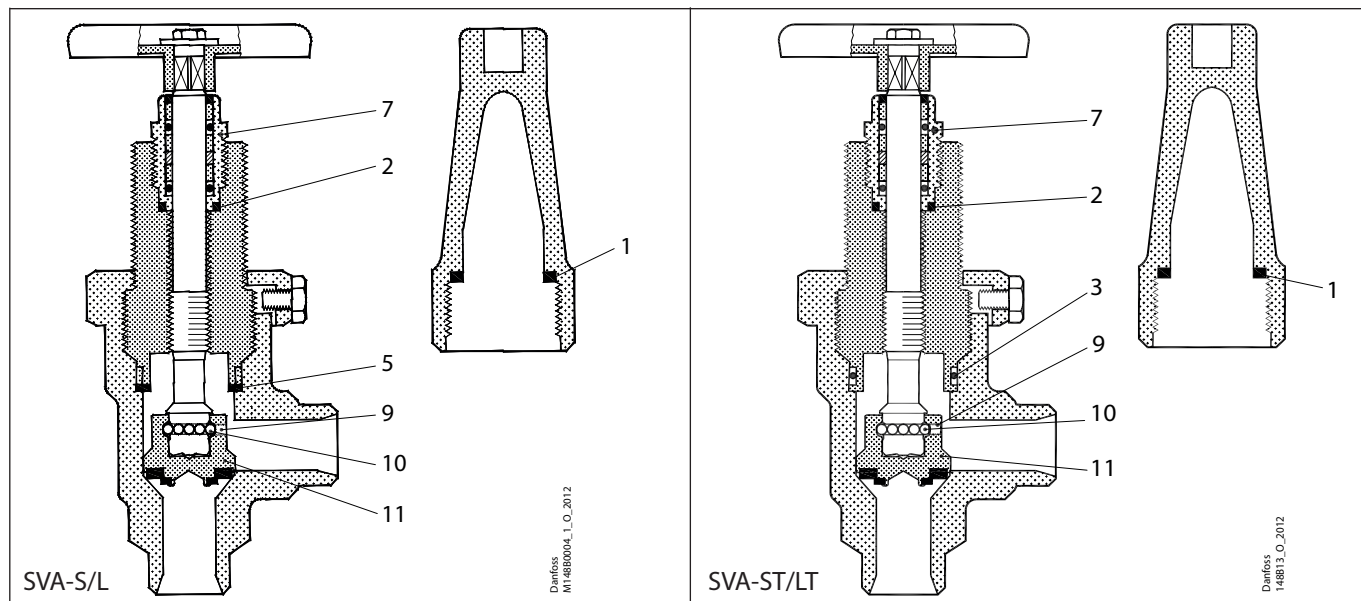
Repair kit | Code number 148B6473  
Shut-off valves, SVA-S/L, SVA-ST/LT, SVA-HS size 200



<p><b>1</b></p> <p> = Nylon</p> <p>Ø66 mm Ø2.61"</p> <p>Total no. = 1</p>	<p><b>3</b></p> <p>Ø190 mm Ø3.23"</p> <p>Total no. = 1</p>	<p><b>5</b></p> <p> = Fibre</p> <p>Ø216 mm Ø3.5"</p> <p>Total no. = 1</p>	<p><b>7</b></p> <p>Ø50 mm Ø1.97"</p> <p>Total no. = 1</p>	<p><b>8</b></p> <p> = PTFE</p> <p>Ø47 mm Ø1.85"</p> <p>Total no. = 1</p>
<p><b>9</b></p> <p>Total no. = 1</p>	<p><b>10</b></p> <p>Total no. = 1</p>			



**Overhaul kit | Code number 148B6150**  
**SVA-S/L, SVA-ST/LT Sizes 6 to 10**

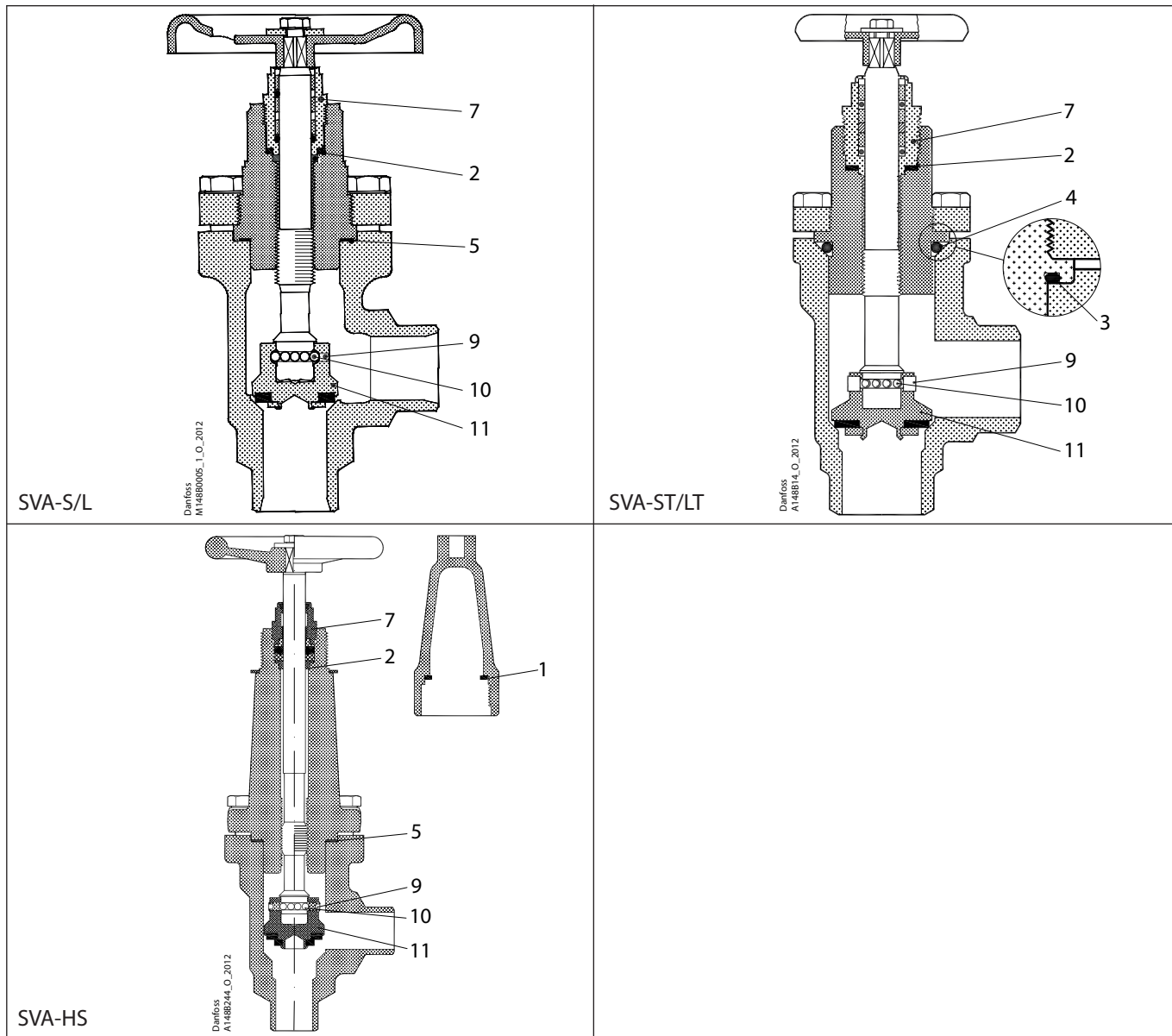


<p><b>1</b>  = Nylon</p> <p>Total no. = 1</p>	<p><b>2</b>  = Alu.</p> <p>Total no. = 1</p>	<p><b>3</b> </p> <p>Total no. = 1</p>	<p><b>5</b>  = Alu.</p> <p>Total no. = 1</p>	<p><b>7</b> </p> <p>Total no. = 1</p>
<p><b>9</b> </p> <p>Total no. = 1</p>	<p><b>10</b> </p> <p>Total no. = 6</p>	<p><b>11</b> </p> <p>Total no. = 1</p>	<p><b>12</b> </p> <p>Total no. = 1</p>	

**NOTE:**

When replacing the packing gland (pos. 7) in SVA-S/L or SVA-ST/LT the aluminium gasket (pos. 2) is needed.

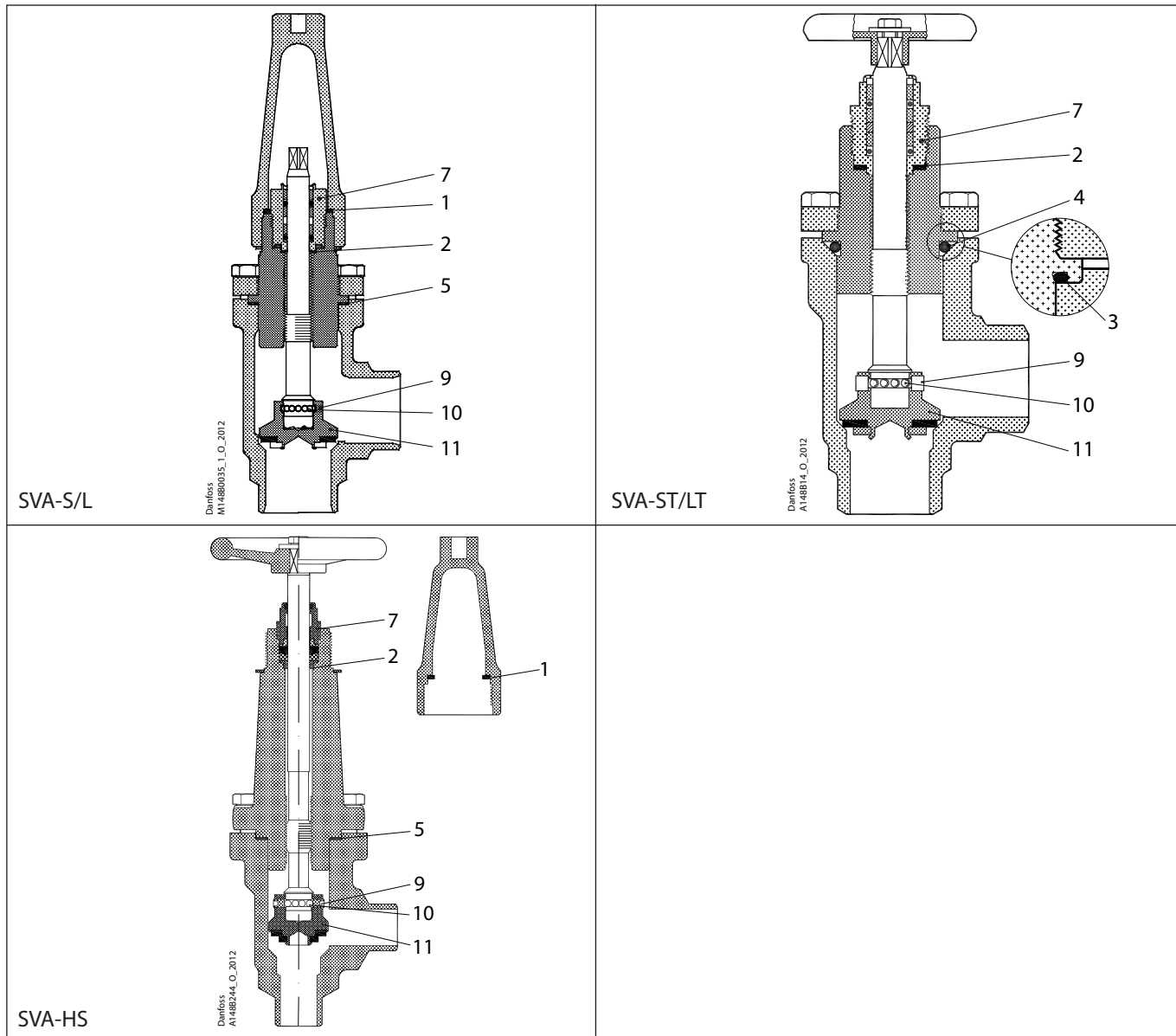
**Overhaul kit | Code number 148B6151**  
**SVA-S/L, SVA-ST/LT, SVA-HS sizes 15-20**



<p><b>1</b></p> <p> = Nylon</p> <p>Total no. = 1</p>	<p><b>2</b></p> <p> = Alu.</p> <p>Total no. = 1</p>	<p><b>3</b></p> <p>Total no. = 1</p>	<p><b>4</b></p> <p>Total no. = 1</p>	<p><b>5</b></p> <p> = Fibre</p> <p>Total no. = 1</p>
<p><b>7</b></p> <p>Total no. = 1</p>	<p><b>9</b></p> <p>Total no. = 1</p>	<p><b>10</b></p> <p>Total no. = 10</p>	<p><b>11</b></p> <p>Total no. = 1</p>	<p><b>12</b></p> <p>Total no. = 1</p>

**NOTE:** When replacing the packing gland (pos. 7) in SVA-S/L, SVA-ST/LT or SVA-HS the aluminium gasket (pos. 2) is needed.

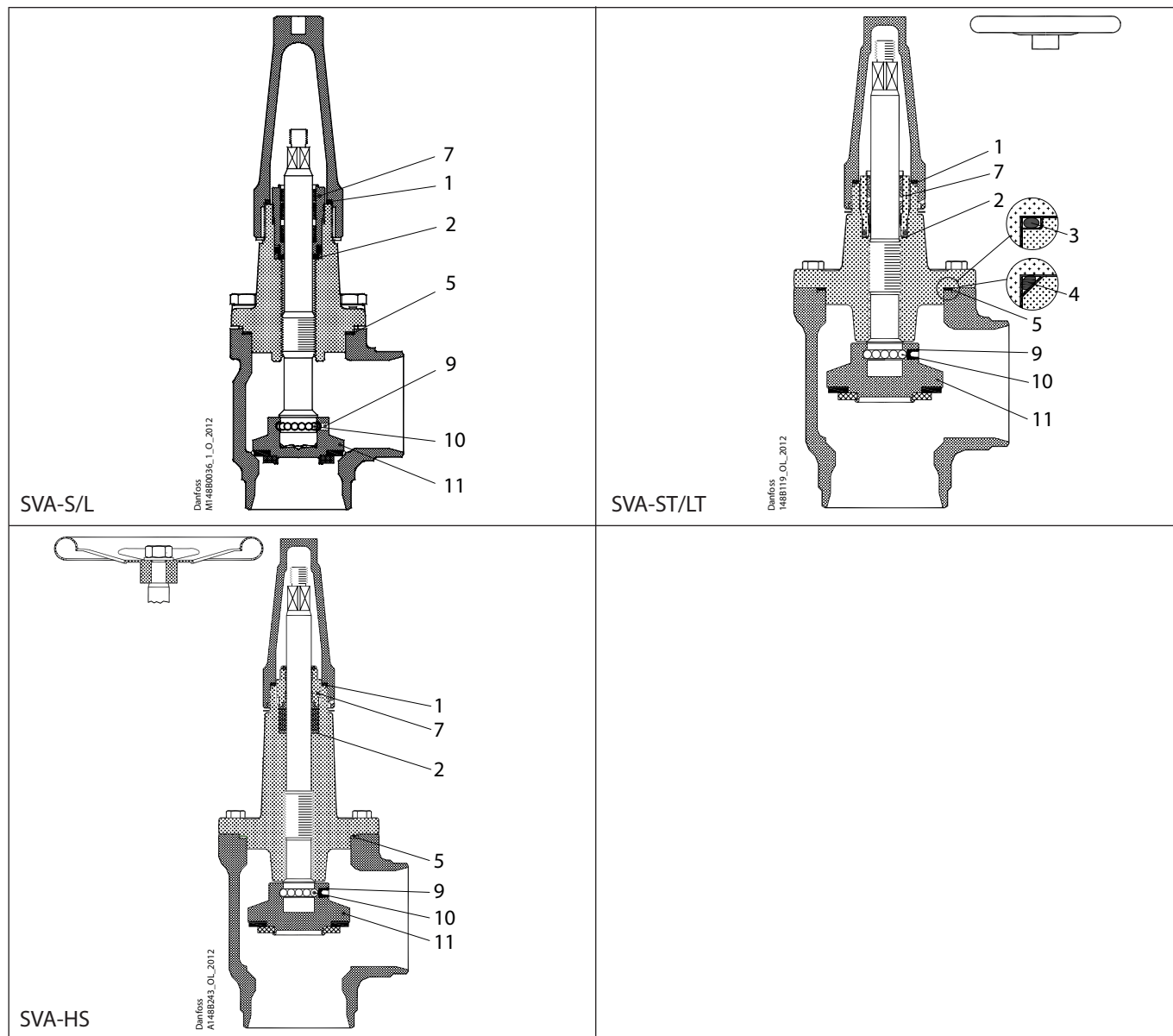
**Overhaul kit | Code number 148B6152**  
**SVA-S/L, SVA-ST/LT, SVA-HS, sizes 25-40**



<p><b>1</b></p> <p> = Nylon</p> <p>Total no. = 1</p>	<p><b>2</b></p> <p> = Alu.</p> <p>Total no. = 1</p>	<p><b>3</b></p> <p>Total no. = 1</p>	<p><b>4</b></p> <p>Total no. = 1</p>	<p><b>5</b></p> <p> = Fibre</p> <p>Total no. = 1</p>
<p><b>7</b></p> <p>Total no. = 1</p>	<p><b>9</b></p> <p>M4</p> <p>Total no. = 1</p>	<p><b>10</b></p> <p>Total no. = 14</p>	<p><b>11</b></p> <p>Total no. = 1</p>	<p><b>12</b></p> <p>Total no. = 1</p>

**NOTE:** When replacing the packing gland (pos. 7) in SVA-S/L, SVA-ST/LT or SVA-HS the aluminium gasket (pos. 2) is needed.

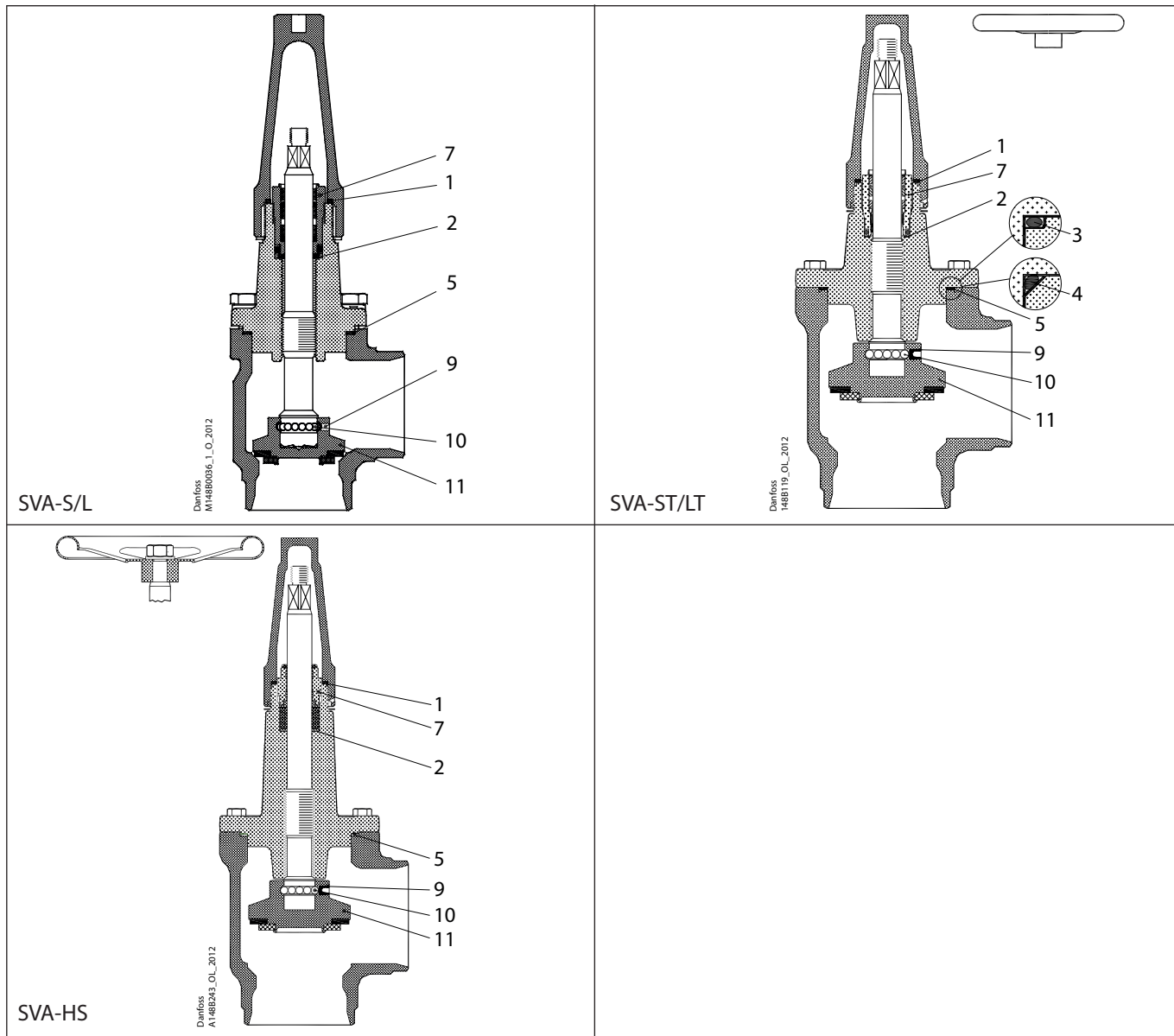
**Overhaul kit | Code number 148B6153**  
**SVA-S/L, SVA-ST/LT, SVA-HS, size 50**



<p><b>1</b></p> <p> = Nylon</p> <p>Total no. = 1</p>	<p><b>2</b></p> <p> = Alu.</p> <p>Total no. = 1</p>	<p><b>3</b></p> <p>Total no. = 1</p>	<p><b>4</b></p> <p>Total no. = 1</p>	<p><b>5</b></p> <p> = Fibre</p> <p>Total no. = 1</p>
<p><b>7</b></p> <p>Total no. = 1</p>	<p><b>9</b></p> <p>Total no. = 1</p>	<p><b>10</b></p> <p>Total no. = 14</p>	<p><b>11</b></p> <p>Total no. = 1</p>	<p><b>12</b></p> <p>Total no. = 1</p>

**NOTE:** When replacing the packing gland (pos. 7) in SVA-S/L, SVA-ST/LT or SVA-HS the aluminium gasket (pos. 2) is needed.

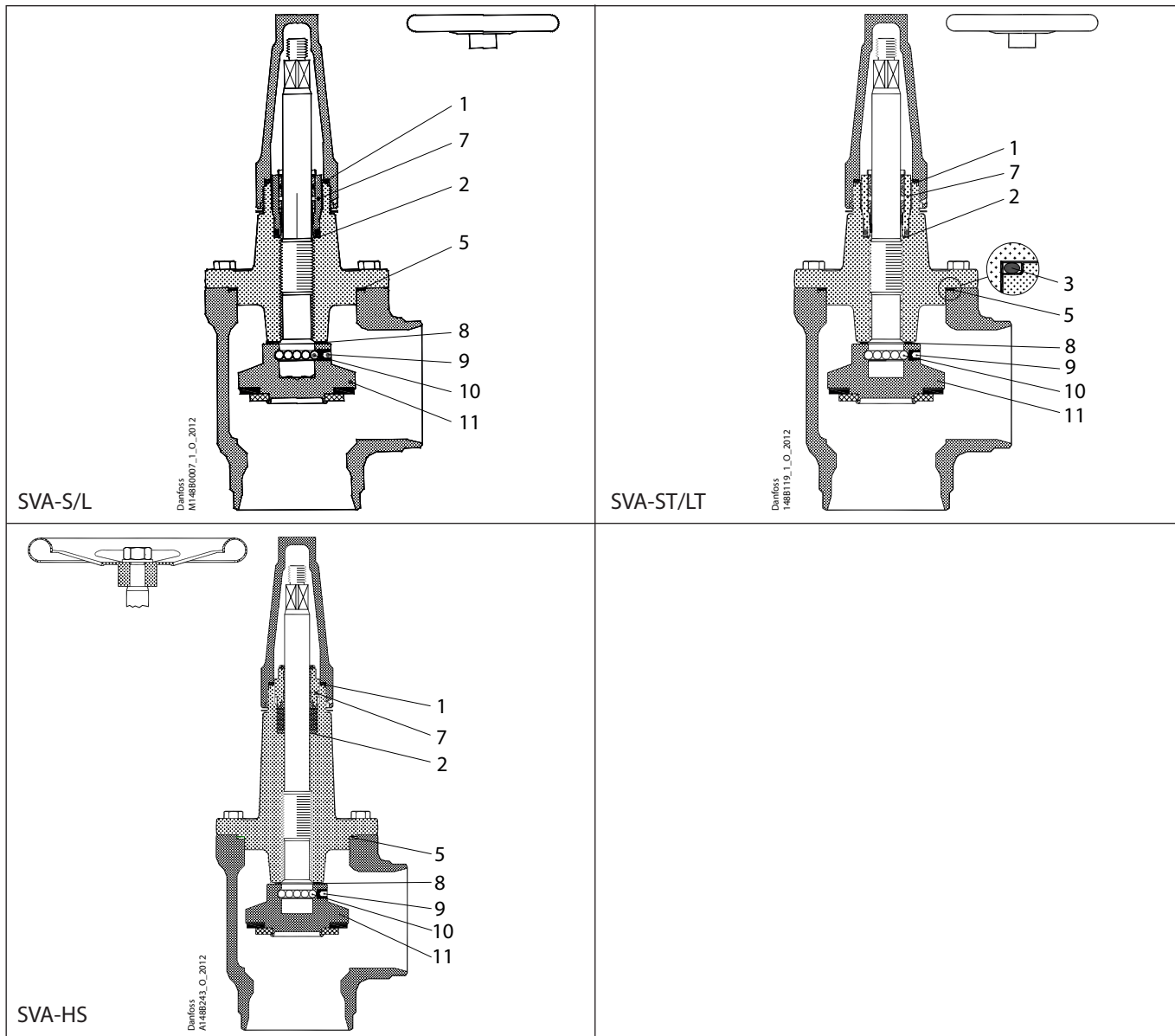
**Overhaul kit | Code number 148B6154**  
**SVA-S/L, SVA-ST/LT, SVA-HS, size 65**



<p><b>1</b></p> <p> = Nylon</p> <p>Total no. = 1</p>	<p><b>2</b></p> <p> = Alu.</p> <p>Total no. = 1</p>	<p><b>3</b></p> <p>Total no. = 1</p>	<p><b>4</b></p> <p>Total no. = 1</p>	<p><b>5</b></p> <p> = Fibre</p> <p>Total no. = 1</p>
<p><b>7</b></p> <p>Total no. = 1</p>	<p><b>9</b></p> <p>Total no. = 1</p>	<p><b>10</b></p> <p>Total no. = 14</p>	<p><b>11</b></p> <p>Total no. = 1</p>	<p><b>12</b></p> <p>Total no. = 1</p>

**NOTE:** When replacing the packing gland (pos. 7) in SVA-S/L, SVA-ST/LT or SVA-HS the aluminium gasket (pos. 2) is needed.

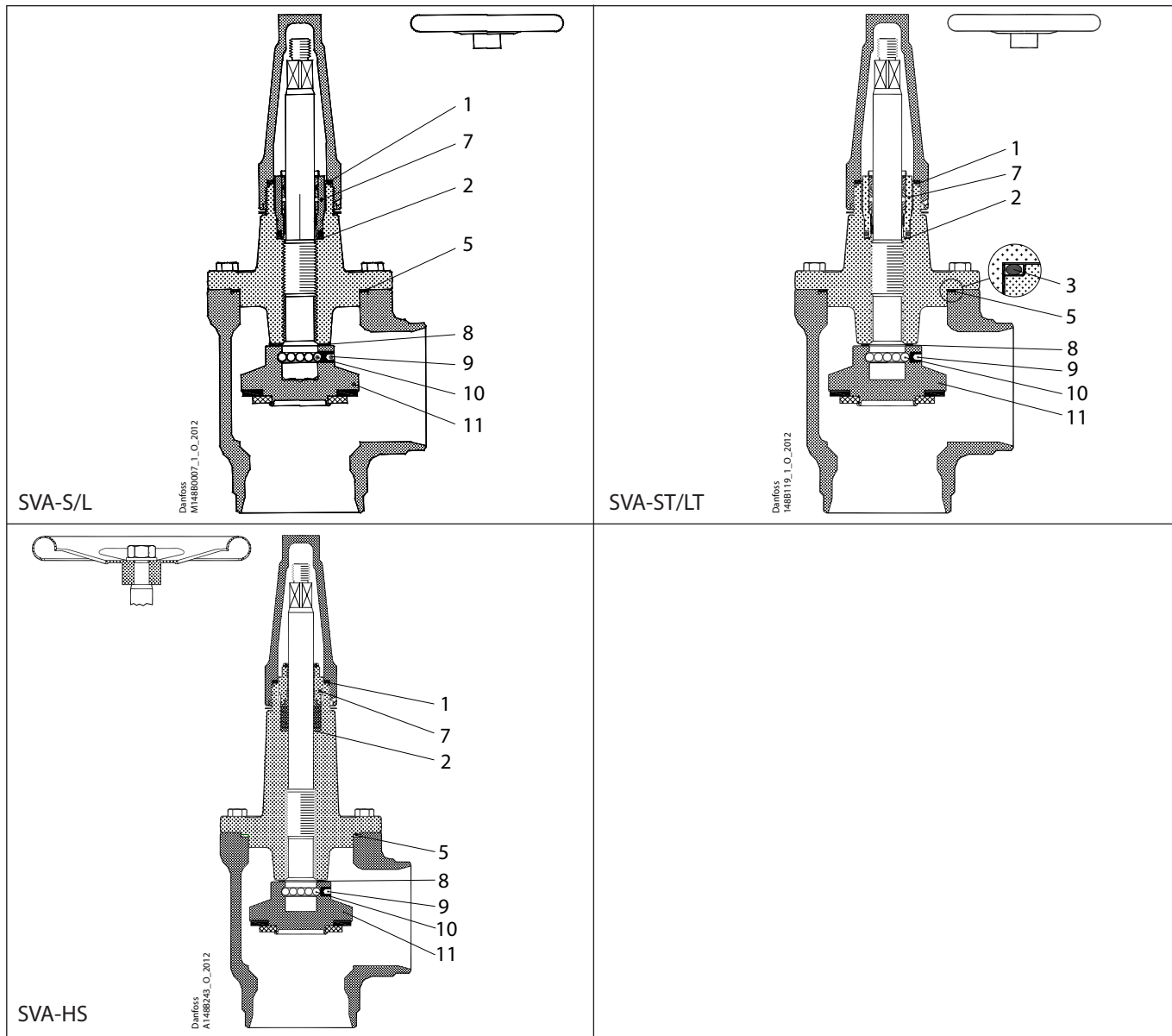
**Overhaul kit | Code number 148B6155**  
**SVA-S/L, SVA-ST/LT, SVA-HS, size 80**



<p><b>1</b></p> <p> = Nylon</p> <p>Total no. = 1</p>	<p><b>2</b></p> <p> = Alu.</p> <p>Total no. = 1</p>	<p><b>3</b></p> <p>Total no. = 1</p>	<p><b>5</b></p> <p> = Fibre</p> <p>Total no. = 1</p>	<p><b>7</b></p> <p>Total no. = 1</p>
<p><b>8</b></p> <p> = PTFE</p> <p>Total no. = 1</p>	<p><b>9</b></p> <p>Total no. = 1</p>	<p><b>10</b></p> <p>Total no. = 13</p>	<p><b>11</b></p> <p>Total no. = 1</p>	<p><b>12</b></p> <p>Total no. = 1</p>

**NOTE:** When replacing the packing gland (pos. 7) in SVA-S/L, SVA-ST/LT or SVA-HS the aluminium gasket (pos. 2) is needed.

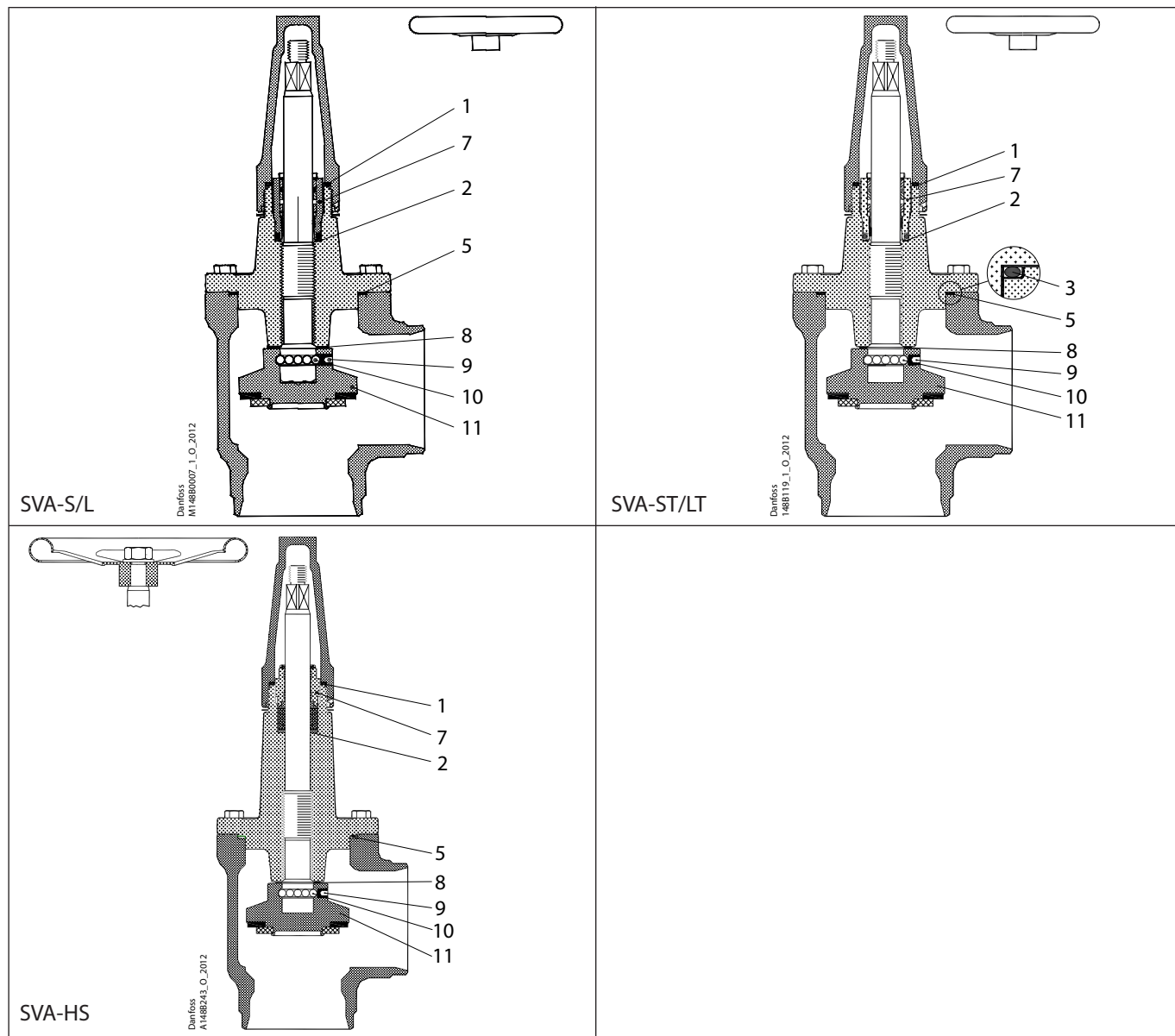
**Overhaul kit | Code number 148B6156**  
**SVA-S/L, SVA-ST/LT, SVA-HS, size 100**



<p><b>1</b></p> <p> = Nylon</p> <p>Total no. = 1</p>	<p><b>2</b></p> <p> = Alu.</p> <p>Total no. = 1</p>	<p><b>3</b></p> <p>Total no. = 1</p>	<p><b>5</b></p> <p> = Fibre</p> <p>Total no. = 1</p>	<p><b>7</b></p> <p>Total no. = 1</p>
<p><b>8</b></p> <p> = PTFE</p> <p>Total no. = 1</p>	<p><b>9</b></p> <p>Total no. = 1</p>	<p><b>10</b></p> <p>Total no. = 13</p>	<p><b>11</b></p> <p>Total no. = 1</p>	<p><b>12</b></p> <p>Total no. = 1</p>

**NOTE:** When replacing the packing gland (pos. 7) in SVA-S/L, SVA-ST/LT or SVA-HS the aluminium gasket (pos. 2) is needed.

**Overhaul kit | Code number 148B6157**  
**SVA-S/L, SVA-ST/LT, SVA-HS, size 125**

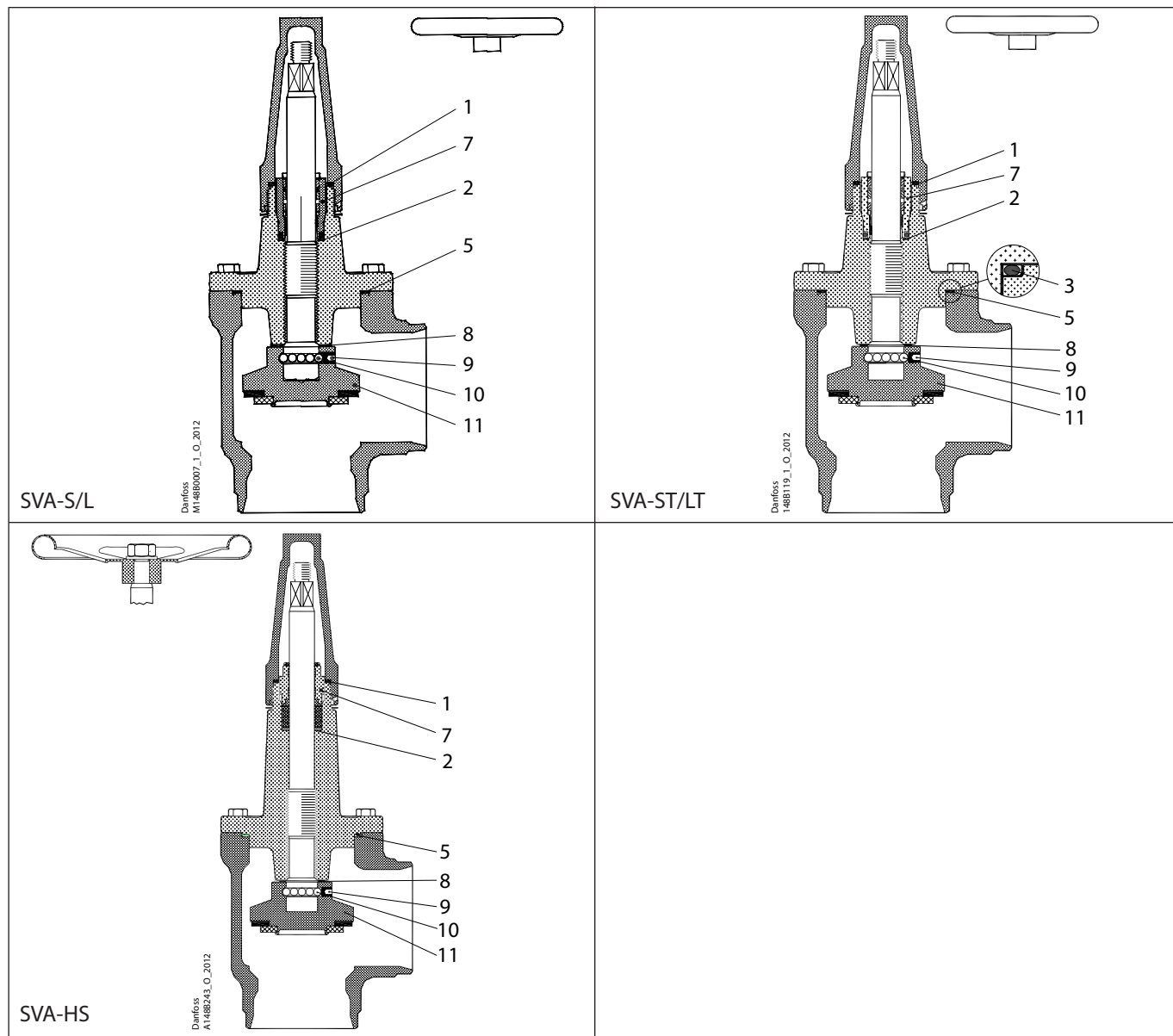


<p><b>1</b></p> <p> = Nylon</p> <p>Total no. = 1</p>	<p><b>2</b></p> <p> = Alu.</p> <p>Total no. = 1</p>	<p><b>3</b></p> <p>Total no. = 1</p>	<p><b>5</b></p> <p> = Fibre</p> <p>Total no. = 1</p>	<p><b>7</b></p> <p>Total no. = 1</p>
<p><b>8</b></p> <p> = PTFE</p> <p>Total no. = 1</p>	<p><b>9</b></p> <p>Total no. = 1</p>	<p><b>10</b></p> <p>Total no. = 13</p>	<p><b>11</b></p> <p>Total no. = 1</p>	<p><b>12</b></p> <p>Total no. = 1</p>

**NOTE:** When replacing the packing gland (pos. 7) in SVA-S/L, SVA-ST/LT or SVA-HS the aluminium gasket (pos. 2) is needed.



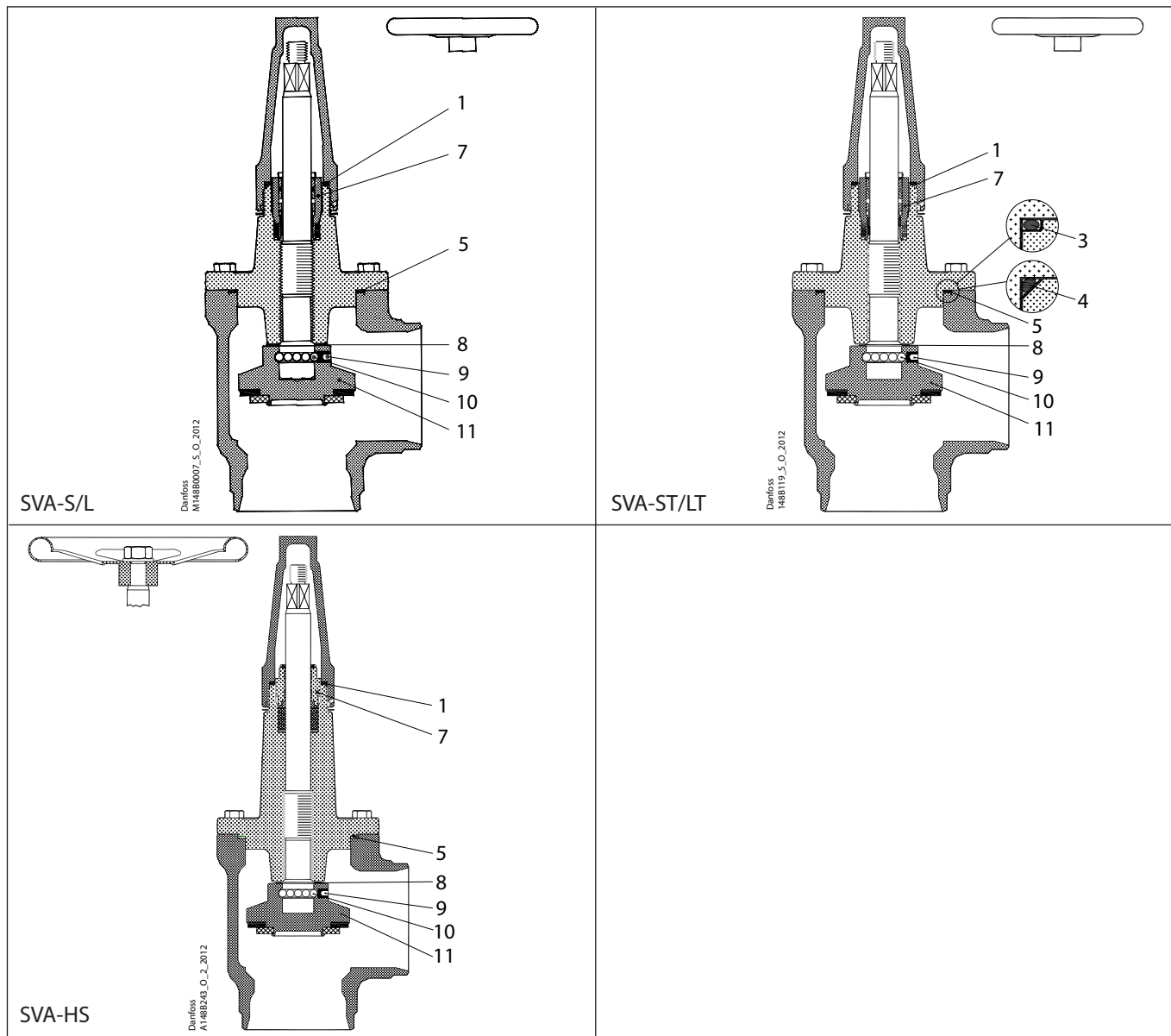
**Overhaul kit | Code number 148B6158**  
**SVA-S/L, SVA-ST/LT, SVA-HS, size 150**



<p><b>1</b></p> <p> = Nylon</p> <p>Total no. = 1</p>	<p><b>2</b></p> <p> = Alu.</p> <p>Total no. = 1</p>	<p><b>3</b></p> <p>Total no. = 1</p>	<p><b>5</b></p> <p> = Fibre</p> <p>Total no. = 1</p>	<p><b>7</b></p> <p>Total no. = 1</p>
<p><b>8</b></p> <p> = PTFE</p> <p>Total no. = 1</p>	<p><b>9</b></p> <p>Total no. = 1</p>	<p><b>10</b></p> <p>Total no. = 13</p>	<p><b>11</b></p> <p>Total no. = 1</p>	<p><b>12</b></p> <p>Total no. = 1</p>

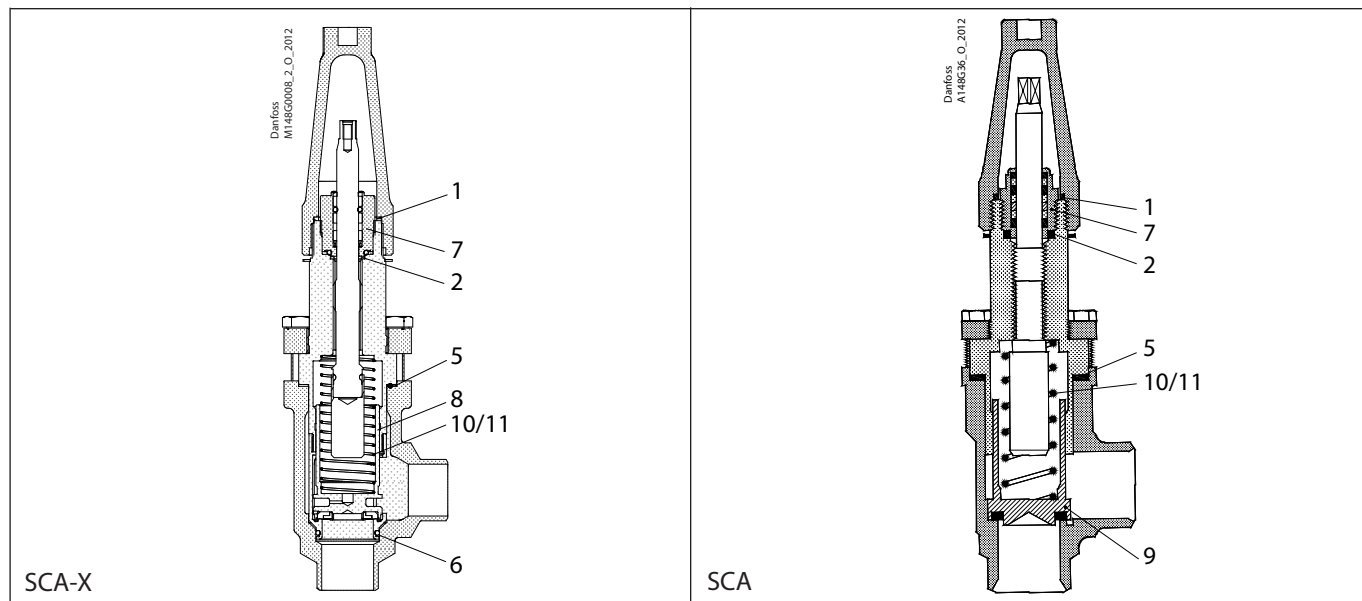
**NOTE:** When replacing the packing gland (pos. 7) in SVA-S/L, SVA-ST/LT or SVA-HS the aluminium gasket (pos. 2) is needed.

Overhaul kit | Code number 148B6472  
Shut-off valves, SVA-S/L, SVA-ST/LT, SVA-HS, size 200



<p><b>1</b></p> <p>Ø66 mm Ø2.61"</p> <p>Total no. = 1</p>	<p><b>3</b></p> <p>Ø190 mm Ø3.23"</p> <p>Total no. = 1</p>	<p><b>5</b></p> <p>Ø216 mm Ø8.5"</p> <p>Total no. = 1</p>	<p><b>7</b></p> <p>Ø50 mm Ø1.97"</p> <p>Total no. = 1</p>	<p><b>8</b></p> <p>Ø47 mm Ø1.85"</p> <p>Total no. = 1</p>
<p><b>9</b></p> <p>M12</p> <p>Total no. = 1</p>	<p><b>10</b></p> <p>Ø10 mm Ø0.394"</p> <p>Total no. = 13</p>	<p><b>11</b></p> <p>Total no. = 1</p>	<p><b>12</b></p> <p>Total no. = 1</p>	<p><b>13</b></p> <p>Total no. = 1</p>

Overhaul kit | Code number 148B6160  
SCA / SCA-X sizes 15 - 20

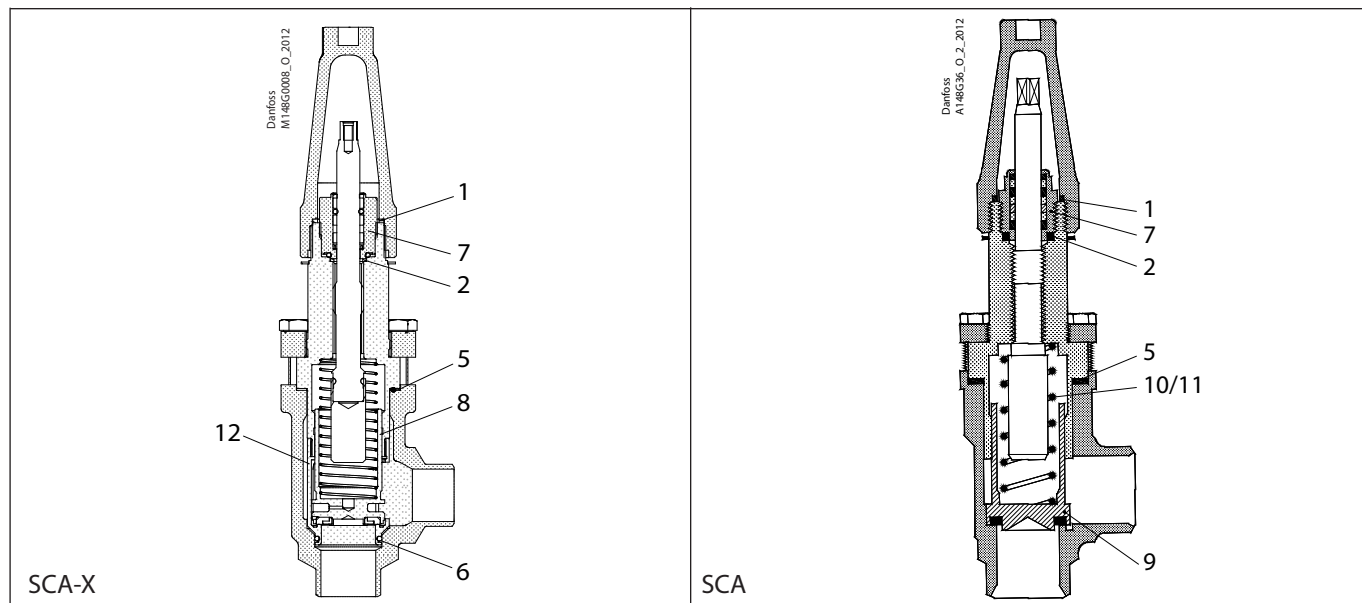


<p><b>1</b></p> <p> = Nylon</p> <p>Total no. = 1</p>	<p><b>2</b></p> <p> = Alu.</p> <p>Total no. = 1</p>	<p><b>5</b></p> <p> = Fibre</p> <p>Total no. = 1</p>	<p><b>6</b></p> <p>Total no. = 1</p>	<p><b>7</b></p> <p>Total no. = 1</p>
<p><b>8</b></p> <p>Total no. = 1</p>	<p><b>9</b></p> <p>Total no. = 1</p>	<p><b>10</b></p> <p>Total no. = 1</p>	<p><b>11</b></p> <p>Total no. = 1</p>	

**NOTE:**

When replacing the packing gland (pos. 7) in SCA-X or SCA the aluminium gasket (pos. 2) is needed.

Overhaul kit | Code number 148B6161  
SCA / SCA-X sizes 25-40

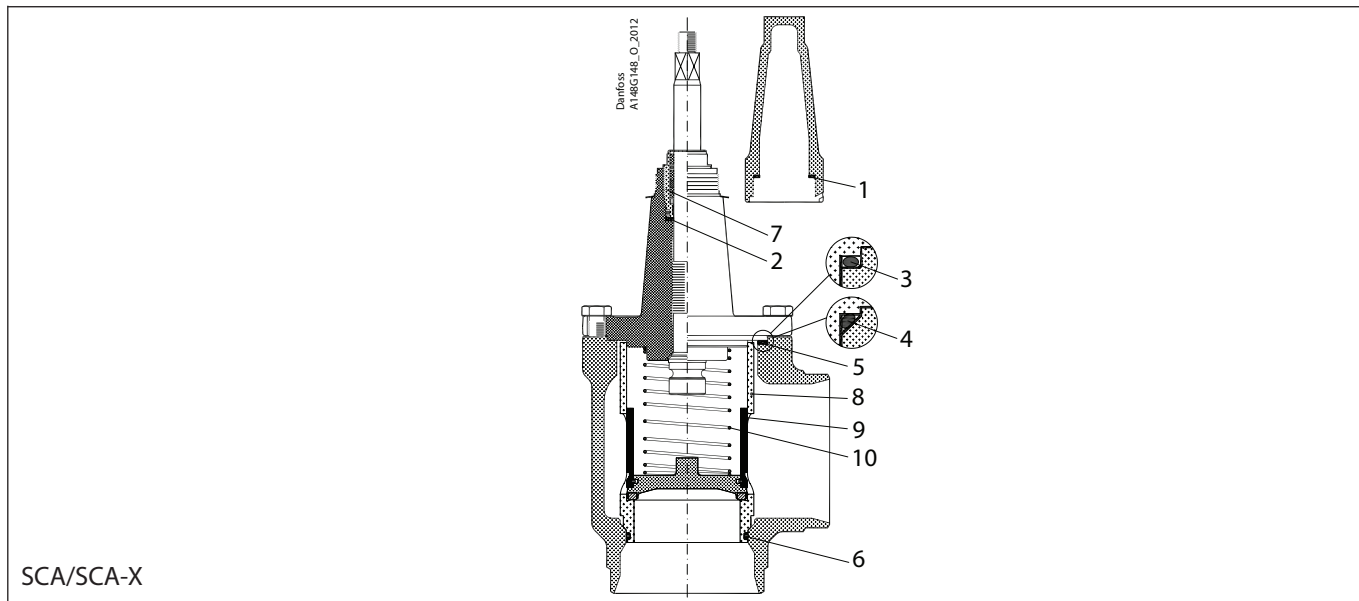


<p><b>1</b></p> <p> = Nylon</p> <p>Total no. = 1</p>	<p><b>2</b></p> <p> = Alu.</p> <p>Total no. = 1</p>	<p><b>5</b></p> <p> = Fibre</p> <p>Total no. = 1</p>	<p><b>6</b></p> <p>Total no. = 1</p>	<p><b>7</b></p> <p>Total no. = 1</p>
<p><b>8</b></p> <p>Total no. = 1</p>	<p><b>9</b></p> <p>Total no. = 1</p>	<p><b>10</b></p> <p>Total no. = 1</p>	<p><b>11</b></p> <p>Total no. = 1</p>	<p><b>12</b></p> <p>Total no. = 1</p>

**NOTE:**

When replacing the packing gland (pos. 7) in SCA-X or SCA the aluminium gasket (pos. 2) is needed.

**Overhaul kit | Code number 148B6162**  
**SCA / SCA-X sizes 50**



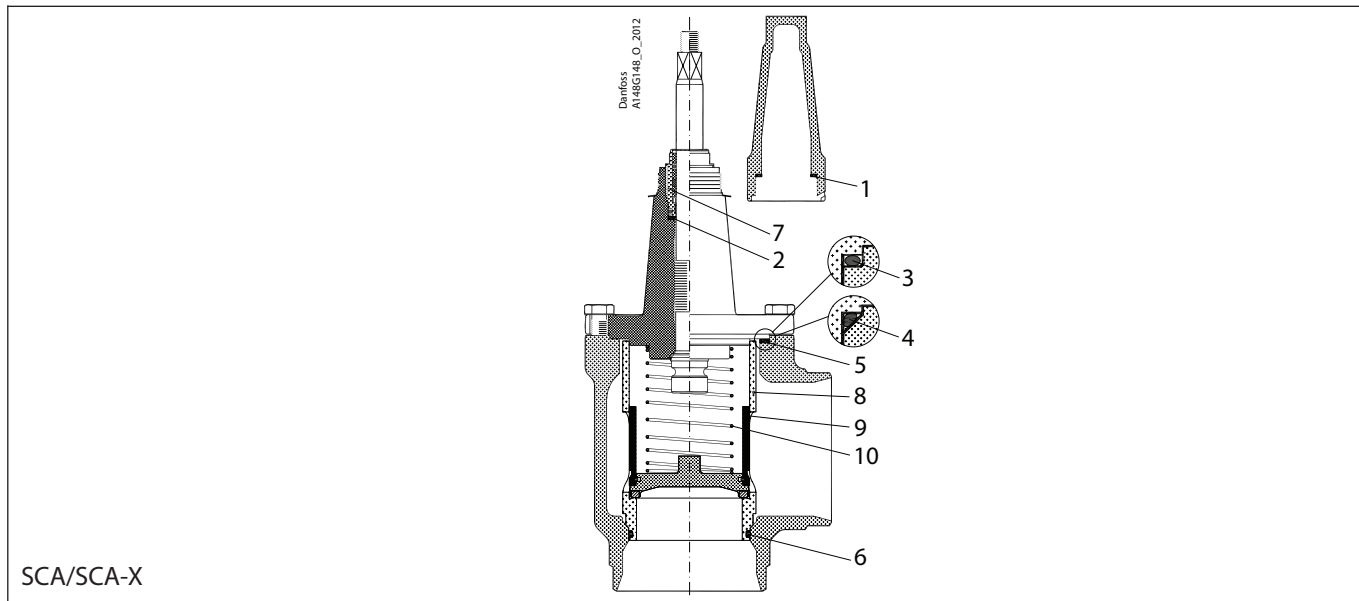
SCA/SCA-X

<p><b>1</b></p> <p> = Nylon</p> <p>Total no. = 1</p>	<p><b>2</b></p> <p> = Alu.</p> <p>Total no. = 1</p>	<p><b>3</b></p> <p>Total no. = 1</p>	<p><b>4</b></p> <p>Total no. = 1</p>	<p><b>5</b></p> <p> = Fibre</p> <p>Total no. = 1</p>
<p><b>6</b></p> <p>Total no. = 1</p>	<p><b>7</b></p> <p>Total no. = 1</p>	<p><b>8</b></p> <p>Total no. = 1</p>	<p><b>9</b></p> <p>Total no. = 1</p>	<p><b>10</b></p> <p>Total no. = 1</p>

**NOTE:**

When replacing the packing gland (pos. 7) in SCA-X or SCA the aluminium gasket (pos. 2) is needed.

**Overhaul kit | Code number 148B6163**  
**SCA / SCA-X sizes 65**



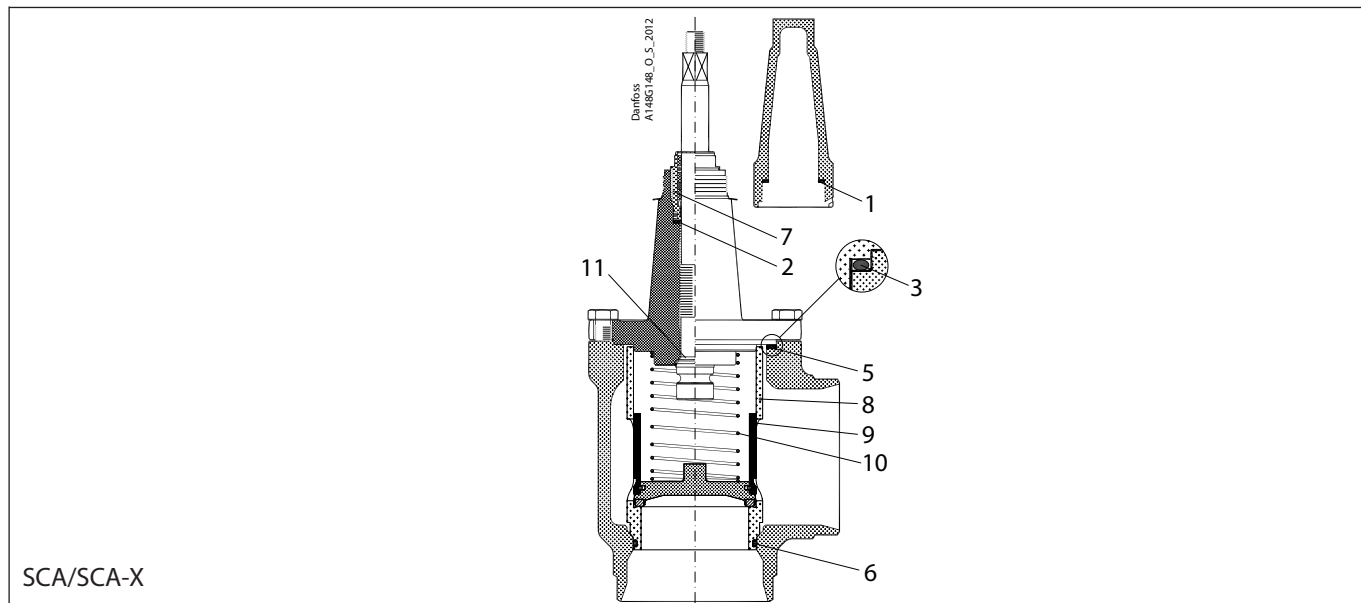
SCA/SCA-X

<p><b>1</b></p> <p> = Nylon</p> <p>Total no. = 1</p>	<p><b>2</b></p> <p> = Alu.</p> <p>Total no. = 1</p>	<p><b>3</b></p> <p>Total no. = 1</p>	<p><b>4</b></p> <p>Total no. = 1</p>	<p><b>5</b></p> <p> = Fibre</p> <p>Total no. = 1</p>
<p><b>6</b></p> <p>Total no. = 1</p>	<p><b>7</b></p> <p>Total no. = 1</p>	<p><b>8</b></p> <p>Total no. = 1</p>	<p><b>9</b></p> <p>Total no. = 1</p>	<p><b>10</b></p> <p>Total no. = 1</p>

**NOTE:**

When replacing the packing gland (pos. 7) in SCA-X or SCA the aluminium gasket (pos. 2) is needed.

**Overhaul kit | Code number 148B6164**  
**SCA / SCA-X sizes 80**



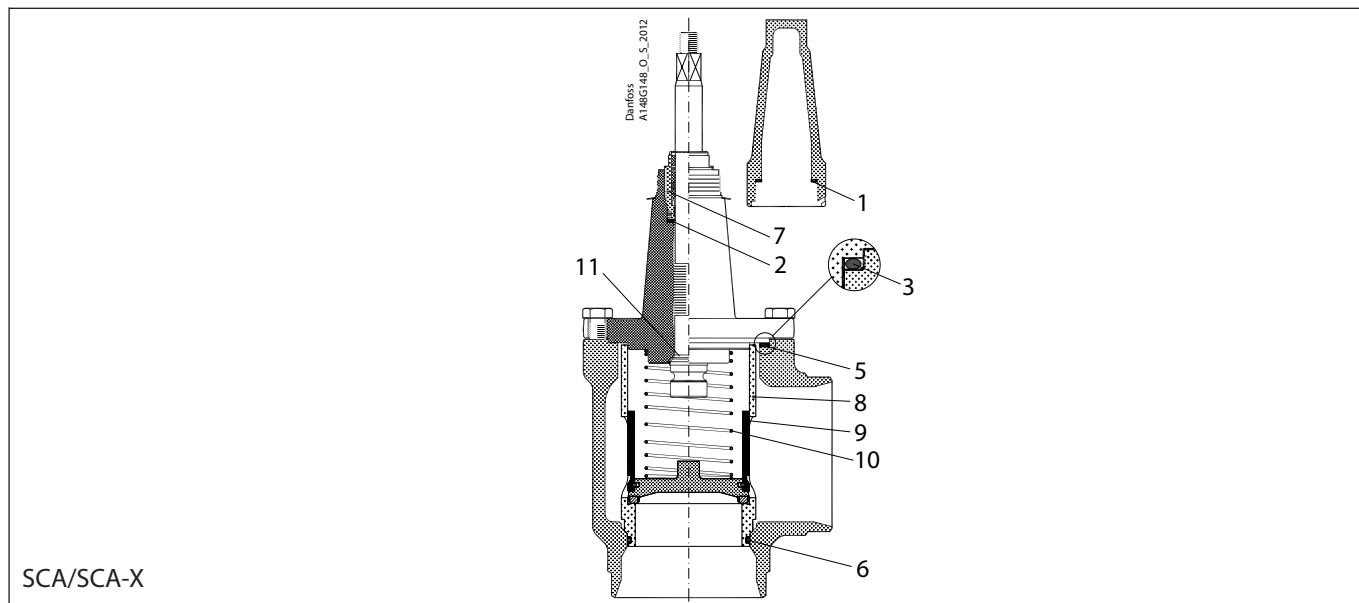
SCA/SCA-X

<p><b>1</b></p> <p> = Nylon</p> <p>Ø45 mm Ø1.98"</p> <p>Total no. = 1</p>	<p><b>2</b></p> <p> = Alu.</p> <p>Ø31.5 mm Ø1.24"</p> <p>Total no. = 1</p>	<p><b>3</b></p> <p>Ø82 mm Ø3.23"</p> <p>Total no. = 1</p>	<p><b>5</b></p> <p> = Fibre</p> <p>Ø96 mm Ø3.78"</p> <p>Total no. = 1</p>	<p><b>6</b></p> <p>Ø63 mm Ø2.48"</p> <p>Total no. = 1</p>
<p><b>7</b></p> <p>Ø32 mm Ø1.26"</p> <p>Total no. = 1</p>	<p><b>8</b></p> <p>Ø79.5 mm Ø3.13"</p> <p>Total no. = 1</p>	<p><b>9</b></p> <p>Ø70 mm Ø2.76"</p> <p>Total no. = 1</p>	<p><b>10</b></p> <p>160 mm 6.3"</p> <p>Total no. = 1</p>	<p><b>11</b></p> <p> = PTFE</p> <p>Ø90 mm Ø1.18"</p> <p>Total no. = 1</p>

**NOTE:**

When replacing the packing gland (pos. 7) in SCA-X or SCA the aluminium gasket (pos. 2) is needed.

Overhaul kit | Code number 148B6165  
SCA / SCA-X sizes 100



SCA/SCA-X

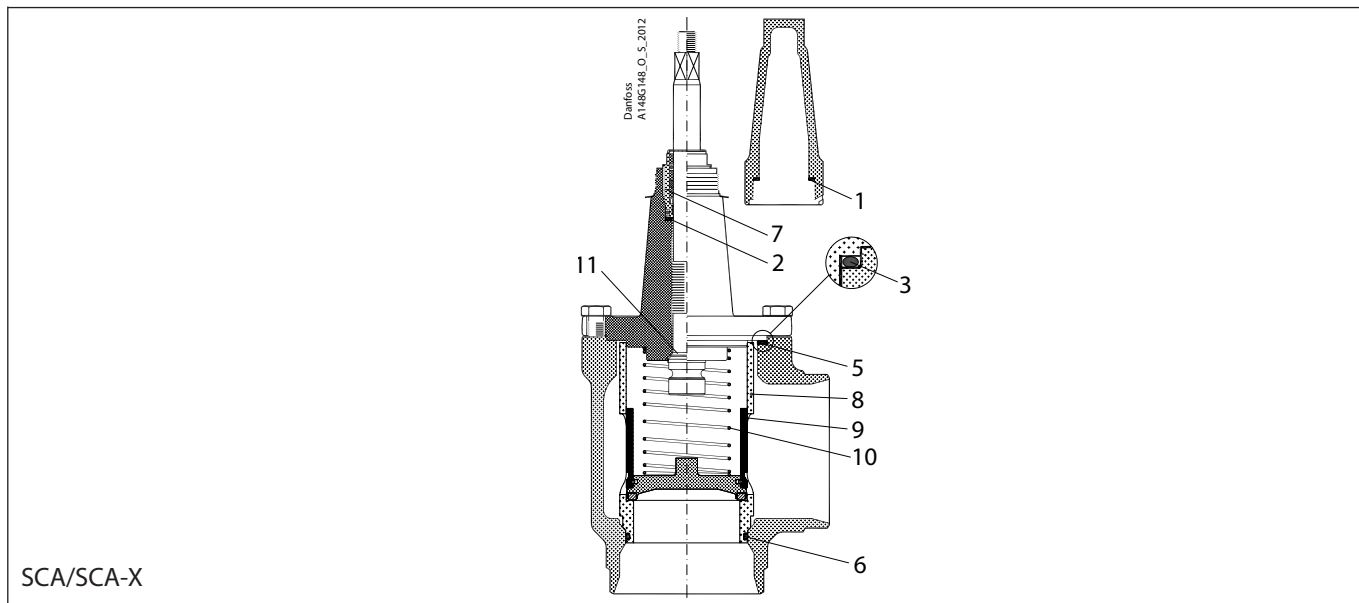
<p><b>1</b></p> <p> = Nylon</p> <p>Total no. = 1</p>	<p><b>2</b></p> <p> = Alu.</p> <p>Total no. = 1</p>	<p><b>3</b></p> <p>Total no. = 1</p>	<p><b>5</b></p> <p> = Fibre</p> <p>Total no. = 1</p>	<p><b>6</b></p> <p>Total no. = 1</p>
<p><b>7</b></p> <p>Total no. = 1</p>	<p><b>8</b></p> <p>Total no. = 1</p>	<p><b>9</b></p> <p>Total no. = 1</p>	<p><b>10</b></p> <p>Total no. = 1</p>	<p><b>11</b></p> <p> = PTFE</p> <p>Total no. = 1</p>

**NOTE:**

When replacing the packing gland (pos. 7) in SCA-X or SCA the aluminium gasket (pos. 2) is needed.



**Overhaul kit | Code number 148B6166**  
**SCA / SCA-X sizes 125**



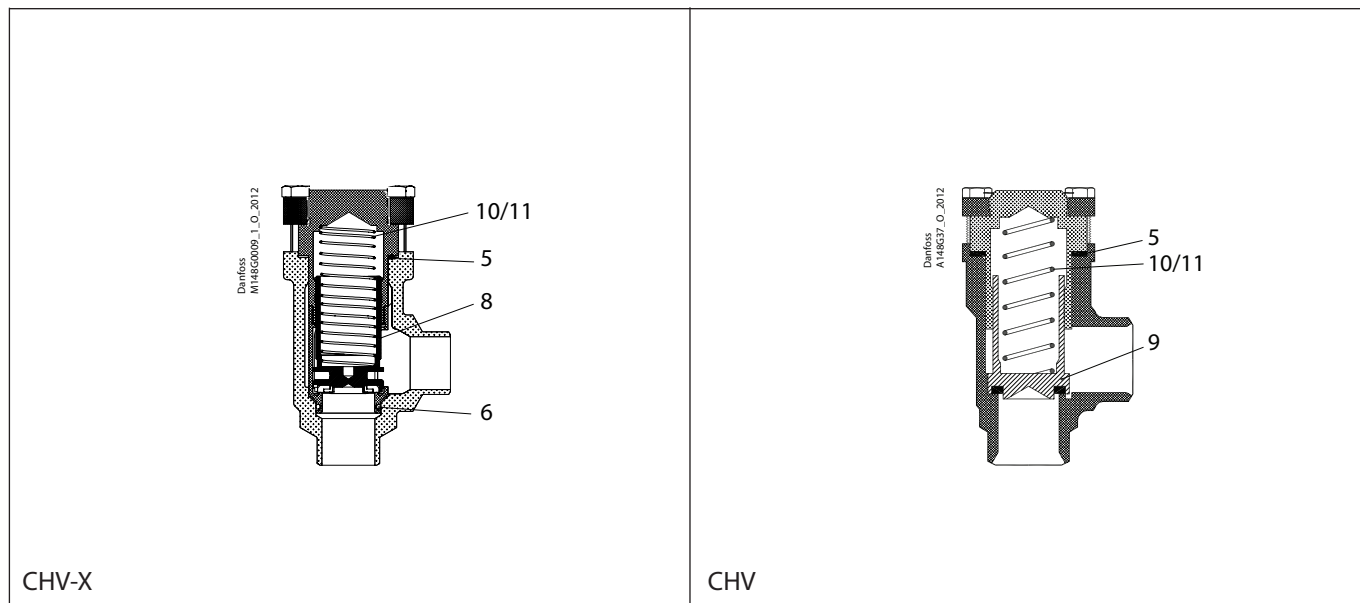
SCA/SCA-X

<p><b>1</b></p> <p> = Nylon</p> <p>Total no. = 1</p>	<p><b>2</b></p> <p> = Alu.</p> <p>Total no. = 1</p>	<p><b>3</b></p> <p>Total no. = 1</p>	<p><b>5</b></p> <p> = Fibre</p> <p>Total no. = 1</p>	<p><b>6</b></p> <p>Total no. = 1</p>
<p><b>7</b></p> <p>Total no. = 1</p>	<p><b>8</b></p> <p>Total no. = 1</p>	<p><b>9</b></p> <p>Total no. = 1</p>	<p><b>10</b></p> <p>Total no. = 1</p>	<p><b>11</b></p> <p> = PTFE</p> <p>Total no. = 1</p>

**NOTE:**

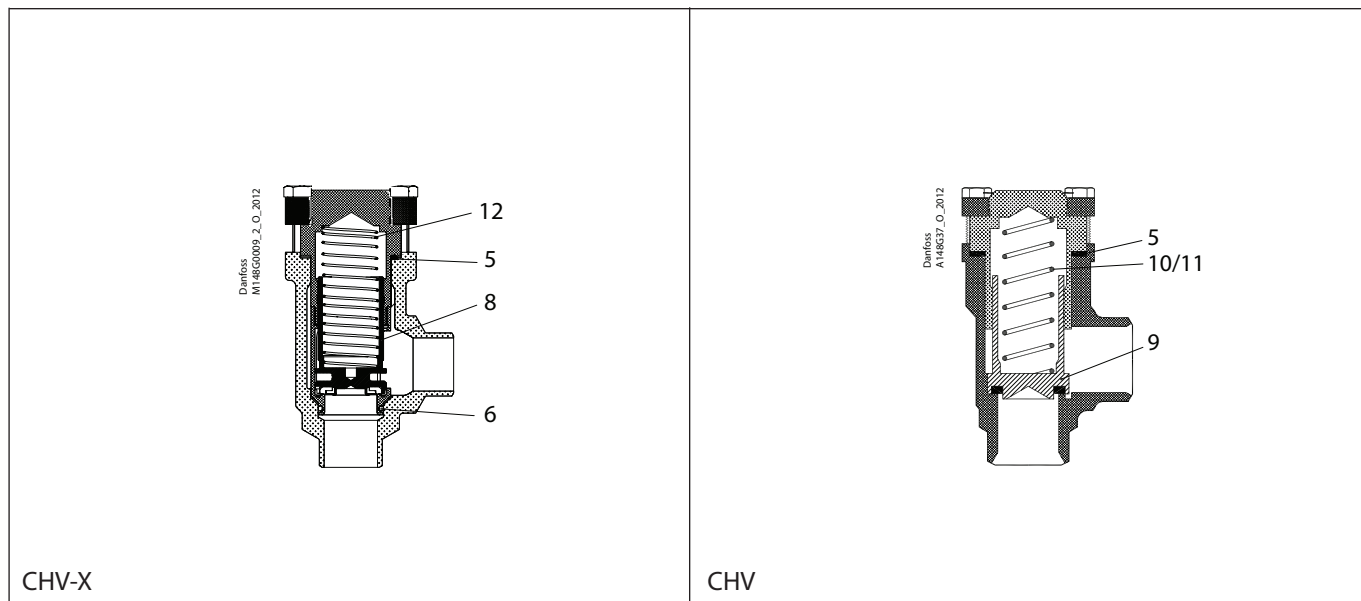
When replacing the packing gland (pos. 7) in SCA-X or SCA the aluminium gasket (pos. 2) is needed.

**Overhaul kit | Code number 148B6167**  
**CHV / CHV-X sizes 15 - 20**



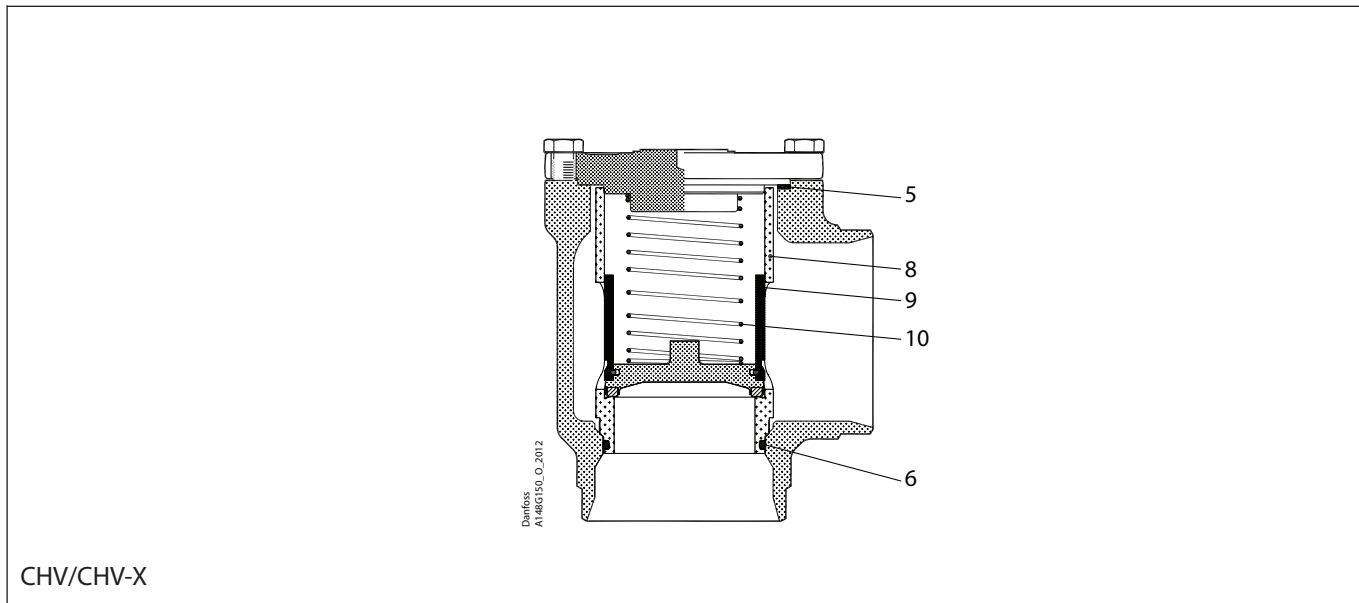
<p><b>5</b></p> <p>Total no. = 1</p>	<p><b>6</b></p> <p>Total no. = 1</p>	<p><b>8</b></p> <p>Total no. = 1</p>	<p><b>9</b></p> <p>Total no. = 1</p>	<p><b>10</b></p> <p>Total no. = 1</p>
<p><b>11</b></p> <p>Total no. = 1</p>				

**Overhaul kit | Code number 148B6168**  
**CHV / CHV-X sizes 25 - 40**



<p><b>5</b></p> <p>Total no. = 1</p>	<p><b>6</b></p> <p>Total no. = 1</p>	<p><b>8</b></p> <p>Total no. = 1</p>	<p><b>9</b></p> <p>Total no. = 1</p>	<p><b>10</b></p> <p>Total no. = 1</p>
<p><b>11</b></p> <p>Total no. = 1</p>	<p><b>12</b></p> <p>Total no. = 1</p>			

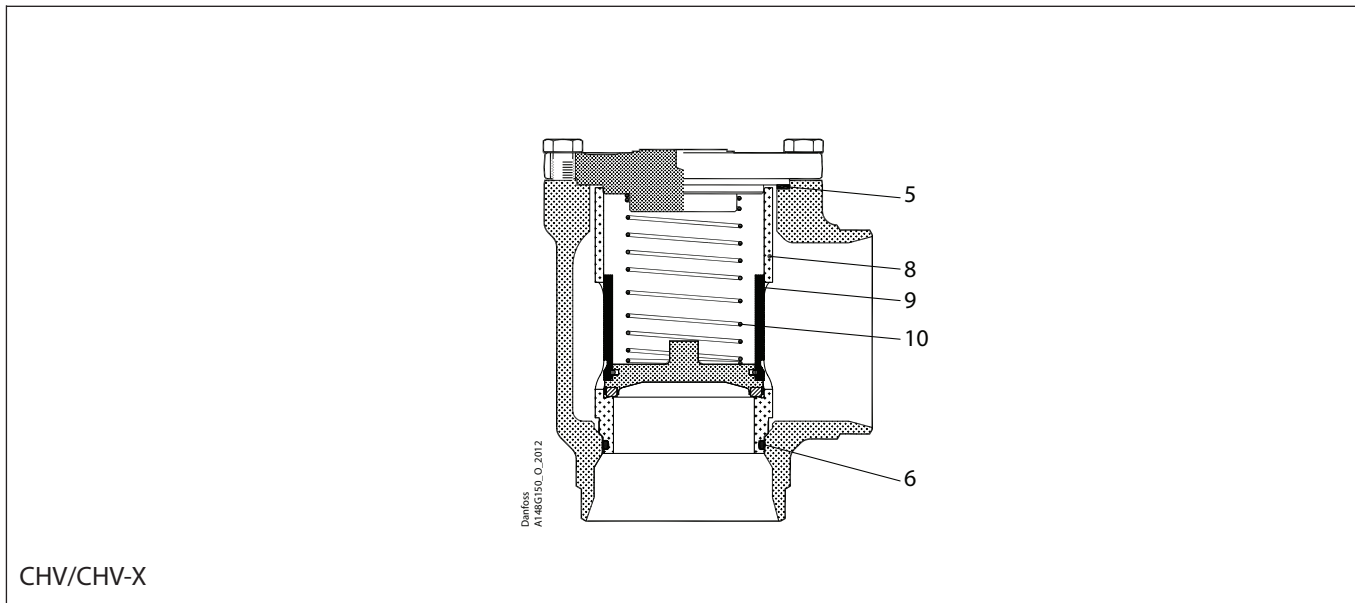
**Overhaul kit | Code number 148B6169**  
**CHV / CHV-X sizes 50**



CHV/CHV-X

<p><b>5</b></p> <p>= Fibre</p> <p>Total no. = 1</p>	<p><b>6</b></p> <p>Total no. = 1</p>	<p><b>8</b></p> <p>Total no. = 1</p>	<p><b>9</b></p> <p>Total no. = 1</p>	<p><b>10</b></p> <p>Total no. = 1</p>
---	--------------------------------------	--------------------------------------	--------------------------------------	---------------------------------------

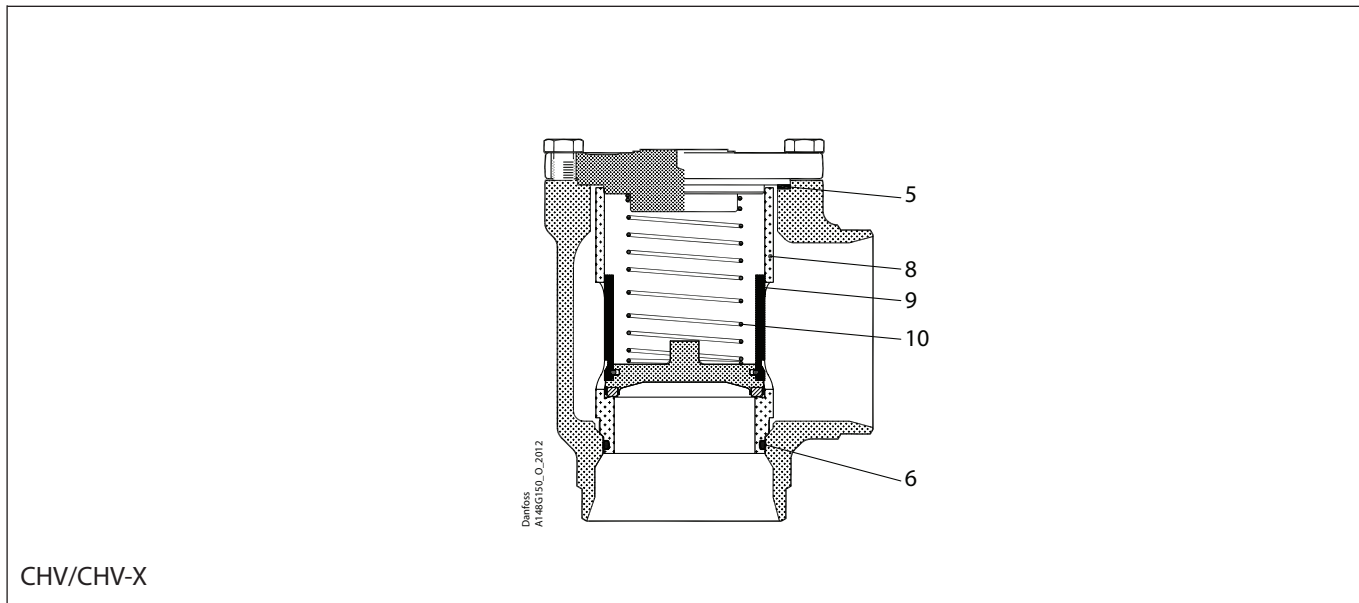
**Overhaul kit | Code number 148B6170**  
**CHV / CHV-X sizes 65**



CHV/CHV-X

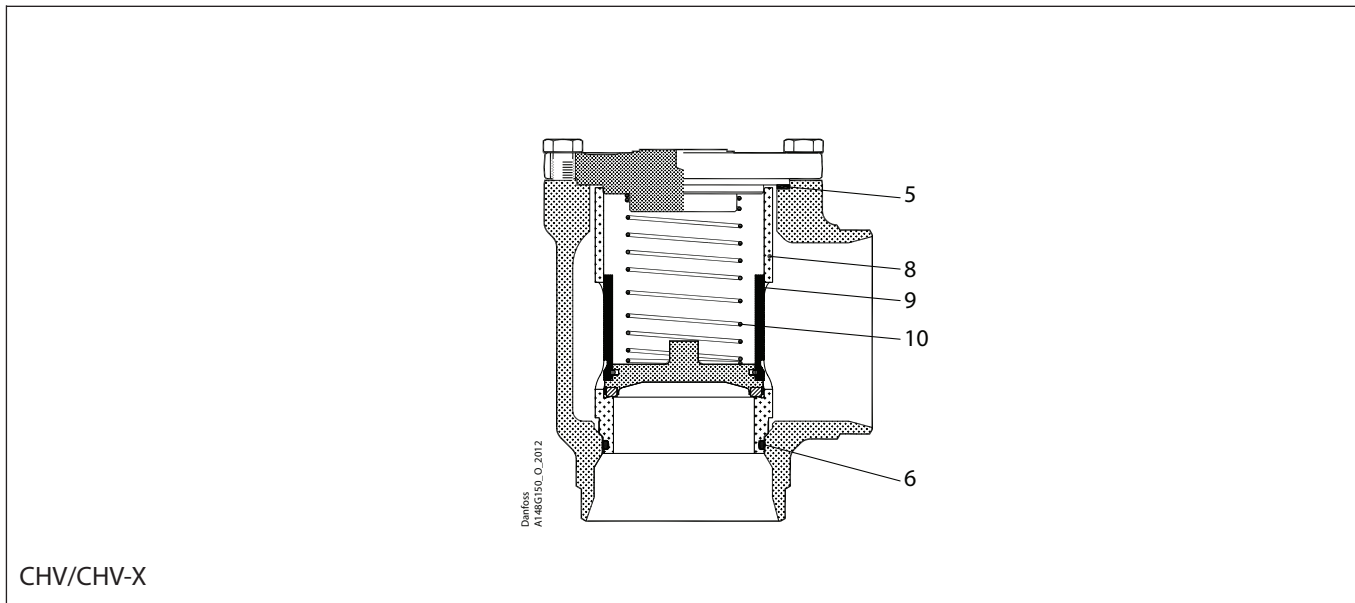
<p><b>5</b></p> <p>= Fibre</p> <p>Total no. = 1</p>	<p><b>6</b></p> <p>Total no. = 1</p>	<p><b>8</b></p> <p>Total no. = 1</p>	<p><b>9</b></p> <p>Total no. = 1</p>	<p><b>10</b></p> <p>Total no. = 1</p>
---	--------------------------------------	--------------------------------------	--------------------------------------	---------------------------------------

**Overhaul kit | Code number 148B6171**  
**CHV / CHV-X sizes 80**



<p><b>5</b></p> <p style="text-align: center;">= Fibre</p> <p style="text-align: center;">Total no. = 1</p>	<p><b>6</b></p> <p style="text-align: center;">Total no. = 1</p>	<p><b>8</b></p> <p style="text-align: center;">Total no. = 1</p>	<p><b>9</b></p> <p style="text-align: center;">Total no. = 1</p>	<p><b>10</b></p> <p style="text-align: center;">Total no. = 1</p>
---	--	--	--	---

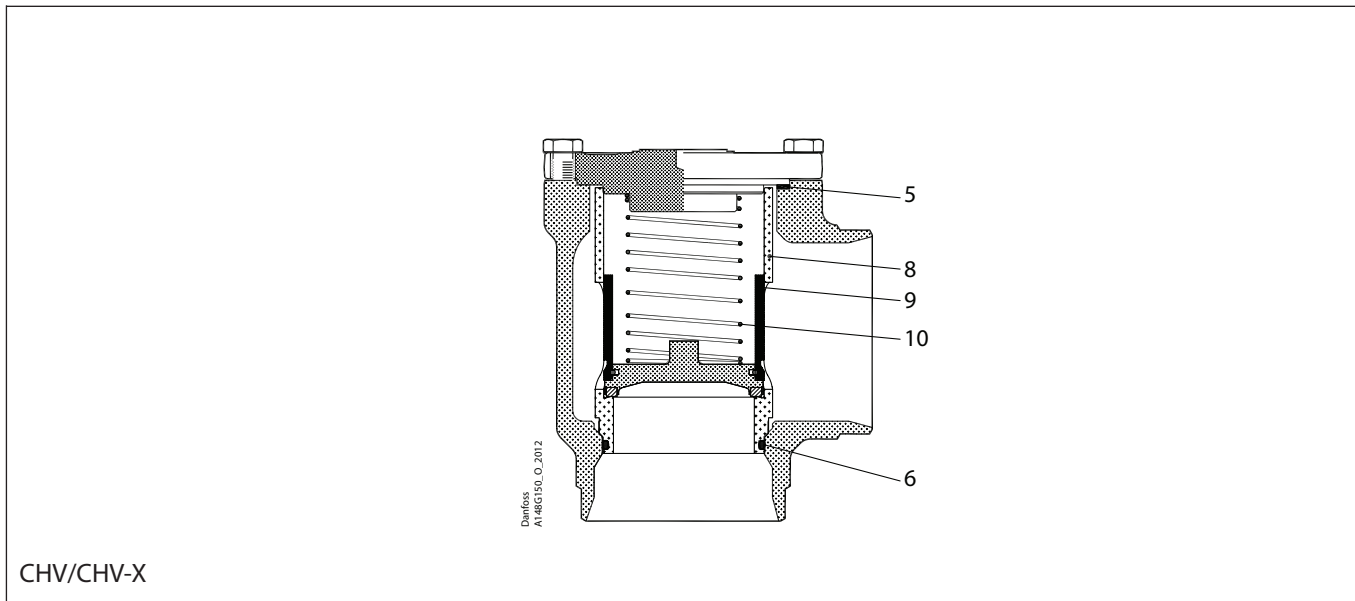
**Overhaul kit | Code number 148B6172**  
**CHV / CHV-X sizes 100**



CHV/CHV-X

<p><b>5</b></p> <p>= Fibre</p> <p>Ø119 mm Ø169°</p> <p>Total no. = 1</p>	<p><b>6</b></p> <p>Ø82 mm Ø3.23°</p> <p>Total no. = 1</p>	<p><b>8</b></p> <p>Ø99.5 mm Ø3.92°</p> <p>Total no. = 1</p>	<p><b>9</b></p> <p>Ø90 mm Ø3.54°</p> <p>Total no. = 1</p>	<p><b>10</b></p> <p>250 mm 9.84°</p> <p>Total no. = 1</p>
--	---	---	---	---

**Overhaul kit | Code number 148B6173**  
**CHV / CHV-X sizes 125**

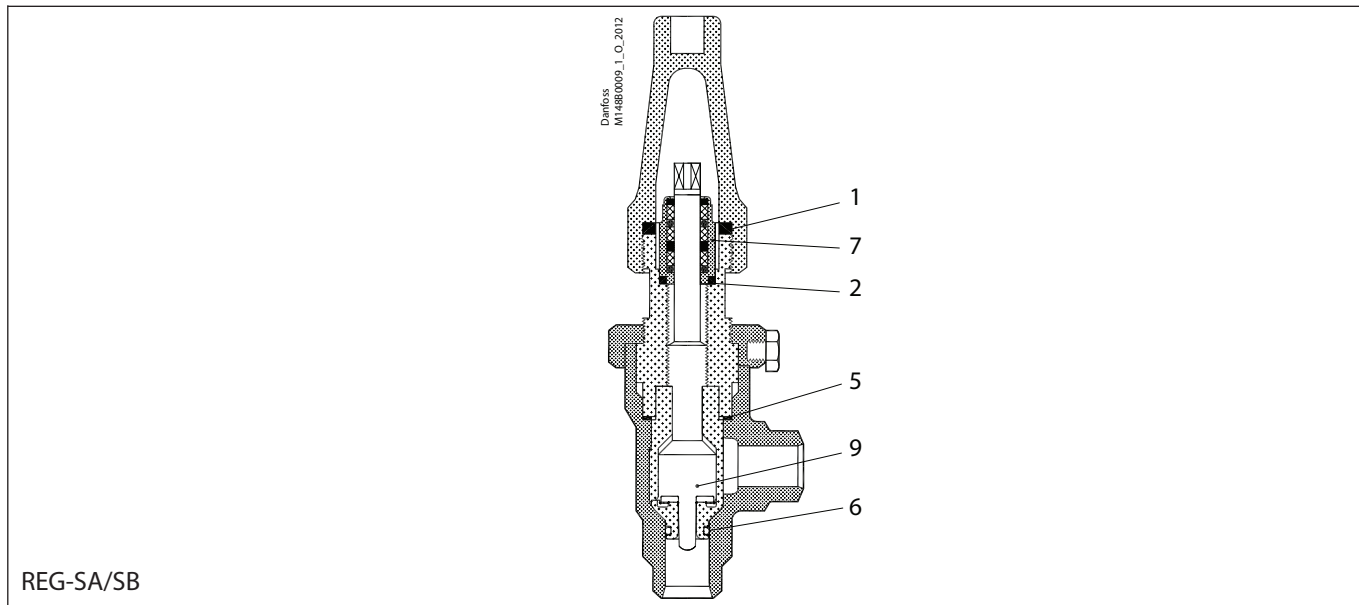


CHV/CHV-X

<p><b>5</b></p> <p>= Fibre</p> <p>Total no. = 1</p>	<p><b>6</b></p> <p>Total no. = 1</p>	<p><b>8</b></p> <p>Total no. = 1</p>	<p><b>9</b></p> <p>Total no. = 1</p>	<p><b>10</b></p> <p>Total no. = 1</p>
---	--------------------------------------	--------------------------------------	--------------------------------------	---------------------------------------



Overhaul kit | Code number 148B6174  
REG-SA/SB size 10



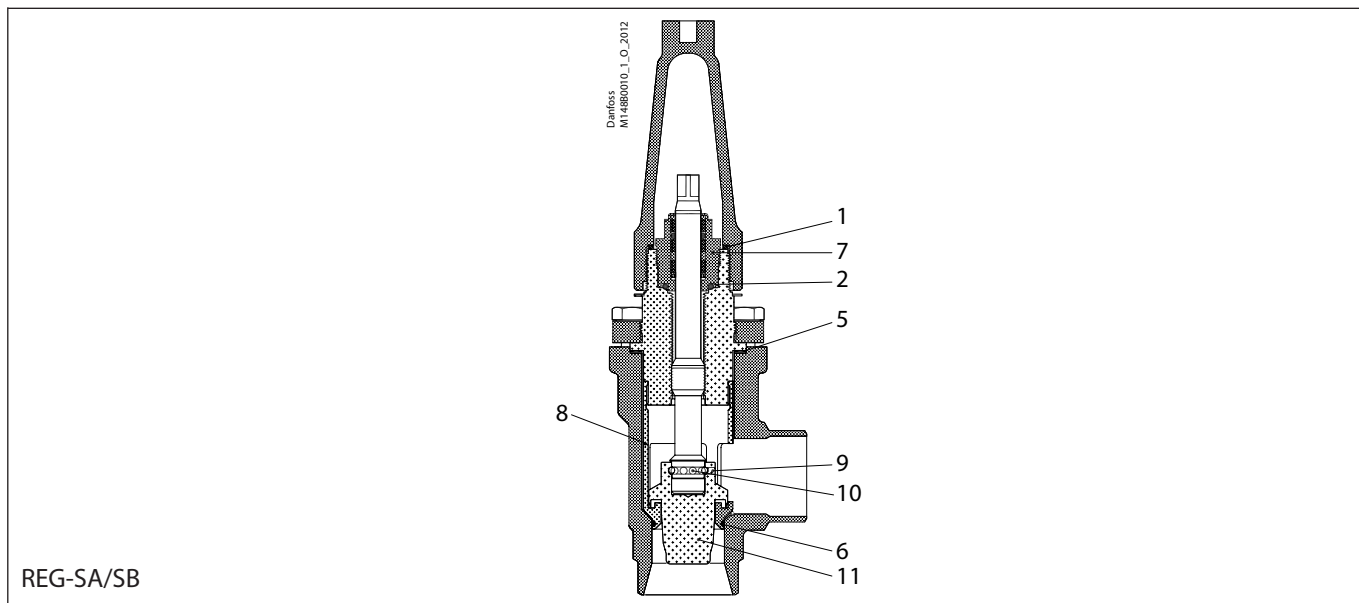
REG-SA/SB

<p><b>1</b></p> <p> = Nylon</p> <p>Ø21 mm Ø17 mm</p> <p>Total no. = 1</p>	<p><b>2</b></p> <p> = Alu.</p> <p>Ø14 mm Ø10 mm</p> <p>Total no. = 1</p>	<p><b>5</b></p> <p> = Alu.</p> <p>Ø22 mm Ø17 mm</p> <p>Total no. = 1</p>	<p><b>9</b></p> <p>11.7 mm 0.46 mm</p> <p>Total no. = 1</p>	<p><b>9</b></p> <p>10.8 mm 0.43 mm</p> <p>Total no. = 1</p>
<p><b>6</b></p> <p>Ø8 mm Ø6 mm</p> <p>Total no. = 1</p>	<p><b>7</b></p> <p>Ø14 mm Ø10 mm</p> <p>Total no. = 1</p>			

**NOTE:**

When replacing the packing gland (pos. 7) in REG-SA/B or REG the aluminium gasket (pos. 2) is needed.

**Overhaul kit | Code number 148B6175**  
**REG-SA/SB size 15-20**

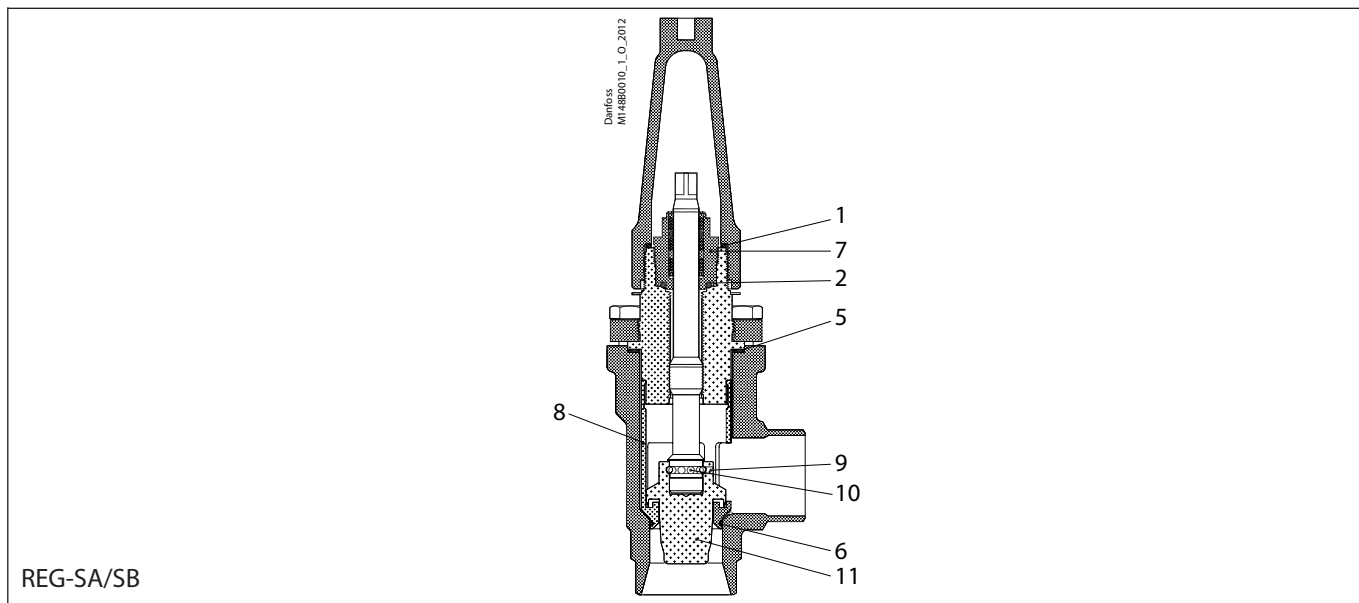


<p><b>1</b></p> <p> = Nylon</p> <p><math>\varnothing 28 \text{ mm}</math> <math>\varnothing 1.1''</math></p> <p>Total no. = 1</p>	<p><b>2</b></p> <p> = Alu.</p> <p><math>\varnothing 18 \text{ mm}</math> <math>\varnothing 0.69''</math></p> <p>Total no. = 1</p>	<p><b>5</b></p> <p> = Fibre</p> <p><math>\varnothing 39 \text{ mm}</math> <math>\varnothing 1.55''</math></p> <p>Total no. = 1</p>	<p><b>6</b></p> <p></p> <p><math>\varnothing 17 \text{ mm}</math> <math>\varnothing 0.67''</math></p> <p>Total no. = 1</p>	<p><b>7</b></p> <p></p> <p><math>\varnothing 18 \text{ mm}</math> <math>\varnothing 0.71''</math></p> <p>Total no. = 1</p>
<p><b>8</b></p> <p><math>\varnothing 24 \text{ mm}</math> <math>\varnothing 0.9 \text{ in.}</math></p> <p></p> <p>Total no. = 1</p>	<p><b>9</b></p> <p><math>M4</math></p> <p></p> <p>Total no. = 1</p>	<p><b>10</b></p> <p><math>\varnothing 3 \text{ mm}</math> <math>\varnothing 0.118''</math></p> <p></p> <p>Total no. = 10</p>	<p><b>11</b></p> <p><math>20 \text{ mm}</math> <math>0.79''</math></p> <p></p> <p>Total no. = 1</p>	<p><b>11</b></p> <p><math>12 \text{ mm}</math> <math>0.45''</math></p> <p></p> <p>Total no. = 1</p>
<p><b>12</b></p> <p></p> <p>Total no. = 1</p>				

**NOTE:**

When replacing the packing gland (pos. 7) in REG-SA/B or REG the aluminium gasket (pos. 2) is needed.

Overhaul kit | Code number 148B6176  
REG-SA/SB size 25-40



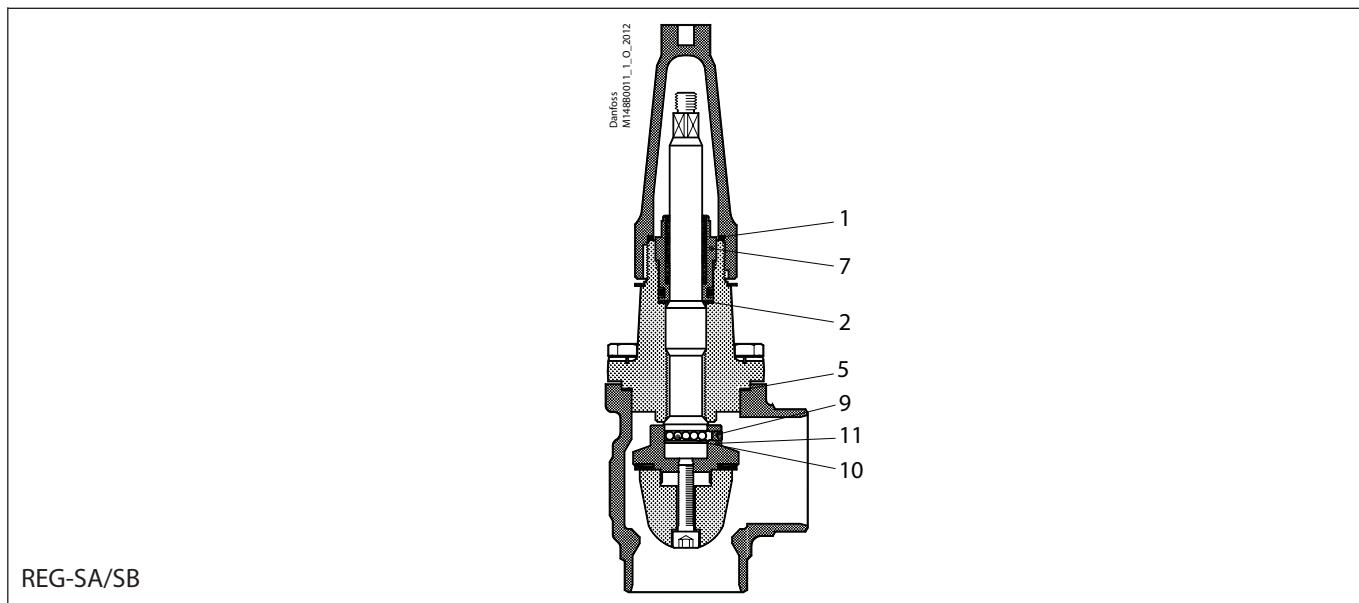
REG-SA/SB

<p><b>1</b></p> <p> = Nylon</p> <p>Total no. = 1</p>	<p><b>2</b></p> <p> = Alu.</p> <p>Total no. = 1</p>	<p><b>5</b></p> <p> = Fibre</p> <p>Total no. = 1</p>	<p><b>6</b></p> <p>Total no. = 1</p>	<p><b>7</b></p> <p>Total no. = 1</p>
<p><b>8</b></p> <p>Total no. = 1</p>	<p><b>9</b></p> <p>M4</p> <p>Total no. = 1</p>	<p><b>10</b></p> <p>Total no. = 14</p>	<p><b>11</b></p> <p>A</p> <p>Total no. = 1</p>	<p><b>11</b></p> <p>B</p> <p>Total no. = 1</p>
<p><b>12</b></p> <p>Total no. = 1</p>				

**NOTE:**

When replacing the packing gland (pos. 7) in REG-SA/B or REG the aluminium gasket (pos. 2) is needed.

**Overhaul kit | Code number 148B6177**  
**REG-SA/SB size 50**



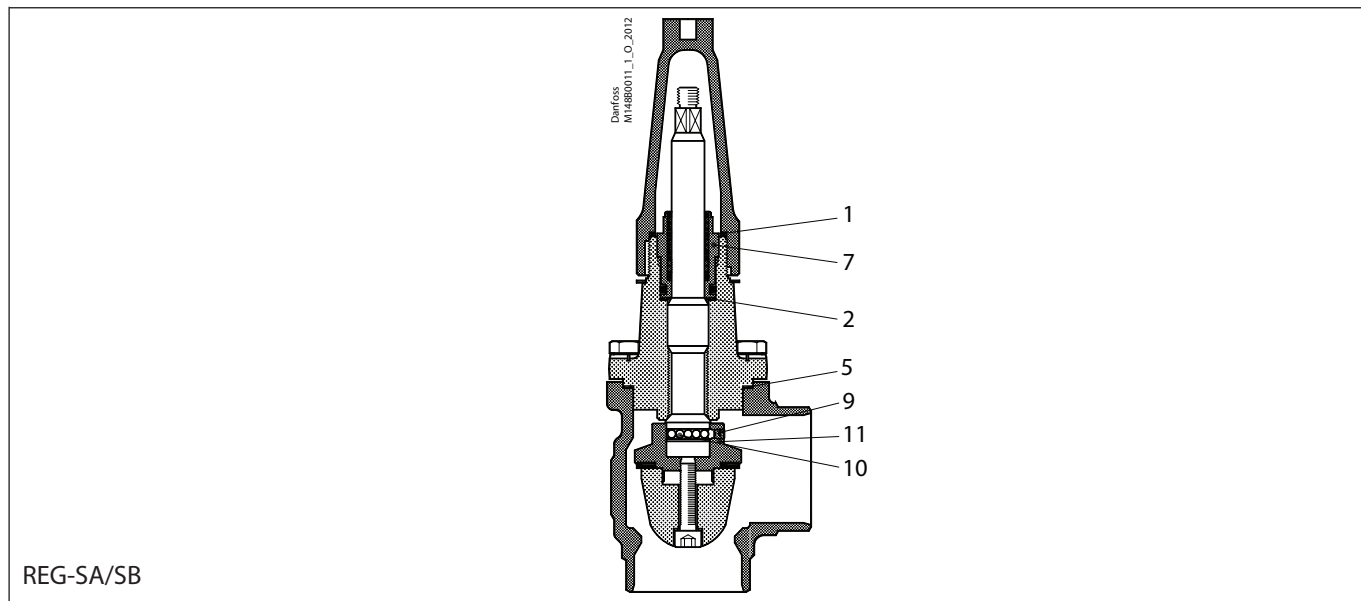
REG-SA/SB

<p><b>1</b></p> <p> = Nylon</p> <p>Total no. = 1</p>	<p><b>2</b></p> <p> = Alu.</p> <p>Total no. = 1</p>	<p><b>5</b></p> <p> = Fibre</p> <p>Total no. = 1</p>	<p><b>7</b></p> <p>Total no. = 1</p>	<p><b>9</b></p> <p>Total no. = 1</p>
<p><b>10</b></p> <p>Total no. = 14</p>	<p><b>11</b></p> <p>Total no. = 1</p>	<p><b>12</b></p> <p>Total no. = 1</p>		

**NOTE:**

When replacing the packing gland (pos. 7) in REG-SA/B or REG the aluminium gasket (pos. 2) is needed.

Overhaul kit | Code number 148B6178  
REG-SA/SB size 65



REG-SA/SB

<p><b>1</b></p> <p> = Nylon</p> <p>Total no. = 1</p>	<p><b>2</b></p> <p> = Alu.</p> <p>Total no. = 1</p>	<p><b>5</b></p> <p> = Fibre</p> <p>Total no. = 1</p>	<p><b>7</b></p> <p>Total no. = 1</p>	<p><b>9</b></p> <p>Total no. = 1</p>
<p><b>10</b></p> <p>Total no. = 14</p>	<p><b>11</b></p> <p>Total no. = 1</p>	<p><b>12</b></p> <p>Total no. = 1</p>		

**NOTE:**

When replacing the packing gland (pos. 7) in REG-SA/B or REG the aluminium gasket (pos. 2) is needed.

## Accessories

### SVA, SVA-ST, SVA-LT, SVA-HS, SVA-S, SVA-L, REG, REG-SA/SB, SCA, SCA-X and FIA

**Cap incl. gasket** for SVA, SVA-ST, SVA-LT, SVA-HS, SVA-S, SVA-L, REG, REG-SA/SB, SCA and SCA-X

	Valve size	Code number
	3-10	148B4074
	15-20	148B4075
	25-65	148B4076
	80-100	148B4077
	125-150	148B4078
200	148B4079	

**Please note:** All accessory caps are red.

**Hand wheel incl. nut and washer** for SVA, SVA-ST, SVA-LT, SVA-HS, SVA-S, SVA-L, REG, REG-SA/SB, SCA and SCA-X

	Valve size	Code number
	3-10	148B4073
	15-20	148B4060
	25-40	148B4062
	50-65	148B4064
	80	148B4065
	100	148B4066
	125-150	148B4067
	200	148B4068

**Replacement kits\* for R717 Ammonia Heat Pump\*\* and R1270 Propylene applications** for SCA-X, CHV-X sizes 15-125 and REG SA/SB sizes 10-40

	Valve size	R717 Heat Pump	R1270 Propylene
	10	148B6084	148B6085
	15	148B6070	148B6077
	20	148B6070	148B6077
	25	148B6071 *** 148B6096 ****	148B6078 *** 148B6097 ****
	32		
	40		
	50	148B6072	148B6079
	65	148B6073	148B6080
	80	148B6074	148B6081
	100	148B6075	148B6082
	125	148B6076	148B6083

\* Not needed for SVA, FIA and REG50/65

\*\* Replacement kits for R717 Ammonia Heat Pump is applicable for continuous operating temperature between +100 °C to 150 °C (212 °F to 302 °F)

\*\*\* For SCA-X, CHV-X 25-40

\*\*\*\* For REG SA/SB 25-40

**Spring** for SCA, SCA-X, CHV and CHV-X

	Valve size	0.04 bar / 0.58 psi Code number	0.3 bar / 4.35 psi Code number	
	15-20	148G3204	148G3206	
	25-40*	148G3205	148G3207	
	25-40**	148B6180	148B6179	
	50	148G3475	148G3480	
	65	148G3476	148G3481	
	80	148G3477	148G3482	
	<i>Special spring for horizontal installation:</i>			
	Valve size	Code number		
	80	148B6181		
100	148B6182			

\* Before Nov. 2012

\*\* After Nov. 2012

**Gasket for housing/top cover** for SVA-HS, SVA-S, SVA-L and FIA

	Valve / filter size	Code number
	15-20	148B4153
	25-40	148B4154
	50	148B4155
	65	148B4156
	80	148B4157
	100	148B4158
	125	148B4159
	150	148B4160
200	148B4161	

<b>Grease for packing gland</b>	All types and sizes	148H3445
---------------------------------	---------------------	----------