

Data Sheet

Series 45 Axial Piston Open Circuit Pump

K2 Frame



The future is here – Series 45 open circuit axial piston K2 pumps. The K2 marks the beginning of the next generation of Danfoss open circuit pumps. Designed to optimize weight, and size while offering greater flexibilities.

Improved performance

With an optimized package, the K2 responds to customer needs by significantly reducing pump weight and package size — while improving performance with increased rated pressure and higher rated speed capabilities. The result is the best combination of package size and weight on the market.

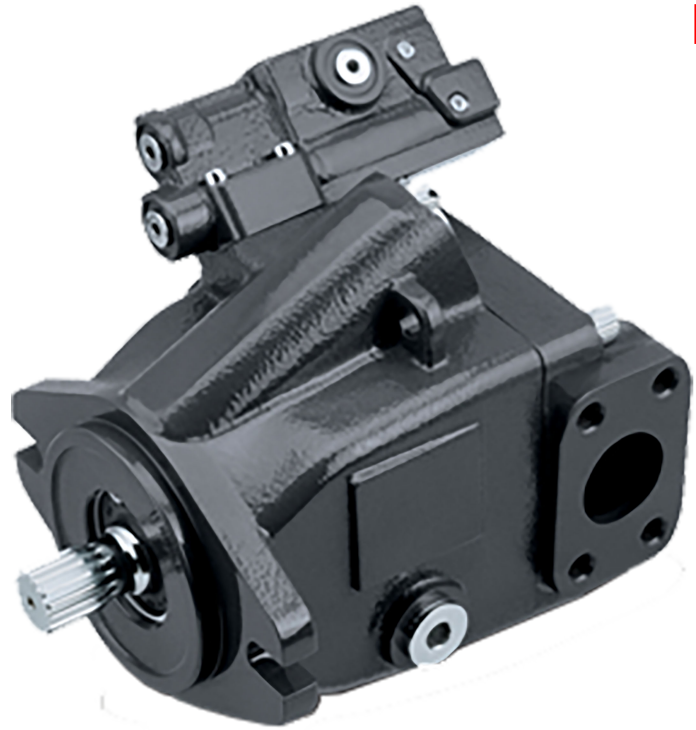
Additional features inside the housing allow for dissipation of noise and vibration, and provides improved low sound power. In combination with the one-piece iron housing and valve plate design, the K2 allows for superior sound reduction that provides a more comfortable experience for the operator and helps meet industry regulations.

Modularity and flexibility

Four unique endcap styles offer more variation to improve installation flexibility and remove significant weight from the pump. The K2 pump will use common Series 45 J, F, and E style controls, and our new Fan Drive Control for a common control style across frame sizes.

Features

- Reduced Length up to 20%
- Reduced Width up to 10%
- Reduced Weight up to 30%
- Additional endcap variations to reduce installation envelope
- Improved Power Density and Performance
- Increased pressure of up to 50 bar over current L and K Frames
- Increased temperature ratings
- Increased speed ratings
- Proven Reliability
 - Common control with J, F and E Frames making one control for all of S45 family
 - Additional control options
 - New Fan Drive Control (FDC)
 - New PC/LS with On/Off



Comprehensive technical literature is online at www.danfoss.com

