

Data sheet

Pressure transmitter

AKS 32 and AKS 33



AKS 32 and AKS 33 are pressure transmitters that measure a pressure and convert the measured value to a standard signal:

- 1 – 5 V DC or 0 – 10 V DC for AKS 32
- 4 – 20 mA for AKS 33

A robust design makes the AKS very suitable for application within a number of fields e.g.

- Air conditioning systems
- Refrigeration plant
- Process control
- Laboratories

Features

Highly developed sensor technology means high pressure regulation accuracy, a very important factor in the precise and energy-economic capacity regulation of refrigeration plants.

- Fully digitally compensated, developed specially for refrigeration plants.
LP: -30 – 40 °C (≤ 16 bar)
HP: 0 – 80 °C (> 16 bar)
- Compatibility with all refrigerants incl. ammonia means less stock and greater application flexibility
- Built-in voltage stabiliser, i.e. the AKS pressure transmitters can be powered from an unregulated voltage supply of any output within given limits
- Effective protection against moisture means that the sensor can be mounted in very harsh environments, e.g. in the suction line encapsulated in an ice block
- Robust construction gives protection against mechanical influences such as shock, vibration and pressure surge. AKS sensors can be mounted direct on to the plant application
- No adjustment necessary. With the highly developed sensor technology and sealed gauge principle, the accuracy of the factory setting is maintained independent of variations in ambient temperature and atmospheric pressure. This is very important when ensuring evaporating pressure control in air conditioning and refrigeration applications
- EMC protection according to EU EMC-directive (CE-marked)
- UL approved
- Polarity protected inputs
- For use in zone ATEX 2 explosive atmospheres

Technical data
Performance

Accuracy (incl. non-linearity, hysteresis and repeatability)	± 0.3% FS (typ.) / ± 0.8% FS (max.)
Non-linearity BFSL (conformity)	< ± 0.2% FS
Hysteresis and repeatability	≤ ± 0.1% FS
Thermal zero point shift	≤ ± 0.1% FS / 10K (typ.)
	≤ ± 0.2% FS / 10K (max.)
Thermal sensitivity (span) shift	≤ ± 0.1% FS / 10K (typ.)
	≤ ± 0.2% FS / 10K (max.)
Response time	< 4 ms
Max. working pressure	See ordering table
Burst pressure	min. 300 bar
Power-up time	< 50 ms

Electrical specifications AKS 33, 4 – 20 mA output signal

Rated output signal	4 – 20 mA
Supply voltage [U _B], polarity protected	9 – 32 V DC
Supply voltage dependency	< 0.1% FS / 10 V
Output limitation	22.4 mA
Max.Load, [R _L]	$R_L \leq \frac{U_B - 10V}{0.02A} [\Omega]$

Electrical specifications for AKS 32, 0 – 10 V DC output signal

Rated output signal (short-circuit protected)	0 – 10 V DC
Supply voltage [U _B], polarity protected	15 – 32 V DC
Supply current consumption	< 8 mA
Supply voltage dependency	< 0.05% FS / 10 V
Sink / source	< 1 mA
Load resistance, R _L	R _L ≥ 15 kΩ

Electrical specifications for AKS 32, 1 – 5 V DC output signal

Rated output signal (short-circuit protected)	1 – 5 V DC
Supply voltage [U _B], polarity protected	9 – 32 V DC
Supply current consumption	< 5 mA
Supply voltage dependency	< 0.05% FS / 10 V
Sink / source	< 1 mA
Load resistance, R _L	R _L ≥ 10 kΩ

Technical data

(continued)

Environmental conditions

Operating temperature range		Normal	-40 – 85 °C		
		ATEX Zone 2	-10 – 85 °C		
Media temperature range [°C]					
Compensated temperature range					
LP: -30 – 40 °C / HP: 0 – 80 °C					
Transport/storage temperature range					
-50 – 85 °C					
EMC – Emission					
EN 61000-6-3					
EMC – Immunity	Electrostatic discharge		Air	8 kV	EN 61000-6-2
			Contact	4 kV	EN 61000-6-2
	RF	field	10 V/m, 26 MHz – 1 GHz		EN 61000-6-2
		conducted	3 V _{rms} , 150 kHz – 30 MHz		EN 61000-6-2
	Transient		burst	4 kV (CM)	EN 61000-6-2
			surge	1 kV (CM,DM)	EN 61000-6-2
Insulation resistance					
> 100 MΩ at 500 V DC					
Vibration stability	Sinusoidal	20 g, 25 Hz – 2 kHz		IEC 60068-2-6	
	Random	7.5 g _{rms} , 5 Hz – 1 kHz		IEC 60068-2-34, IEC 60068-2-36	
Shock resistance	Shock	500 g / 1 ms		IEC 60068-2-27	
	Free fall	1 m		IEC 60068-2-32	
Enclosure (depending on electrical connection)		Plug version		IP65 - IEC 60529	
		Cable version		IP67 - IEC 60529	

Approvals

UL recognized for sale in the USA and Canada	Electrical safety	File no. E310 24, E494625
	Hazardous location	File no. E227388
CE marked according to the EMC directive		2015/30/EU
Ex evaluated for Zone 2 for sale in Europe		ATEX II 3G Ex-nA IIA T3 Gc
For sale in Russia, Belarus and Kazakhstan		EAC (EurAsian conformity)

Explosive atmospheres

Zone 2 applications	II 3G Ex nA IIA T3 Gc -10 °C < Ta < + 85 °C	EN60079-0; EN60079-15
---------------------	--	-----------------------

The products for ATEX Zone 2 are applicable in refrigeration applications employing any flammable refrigerants classified as IIA – please, refer to AKS installation guide.

In ATEX Zone 2 applications at low temperatures cable and plug must be protected against impact.

AKS other products can be used in end user applications employing the following flammable refrigerants: A3: R290, R600, R600a, R1270, A2L: R32, R444B, R452A/B, R454A/B/C, R455A, R1234zyef	IEC/EN 60335-2-89 (commercial refrigerating appliances) IEC/EN 60335-2-40 (electrical heat pumps, air-onditioners)
---	---

For other products not ATEX Zone 2 assessed, an ignition risk assessment has been conducted with reference to IEC/EN 60335-2-89 (commercial refrigerating appliances) and IEC/EN 60335-2-40 (electrical heat pumps, air-conditioners).

For countries where safety standards are not an indispensable part of the safety system, Danfoss recommends the installer to seek a third-party approval of the system containing flammable refrigerant. Note: Please, follow specific selection criteria stated in the data sheet for these particular refrigerants.

Mechanical characteristics

Electrical connection	EN 175301-803 plug / 2 m cable
Wetted parts, material	EN10088-1-1.4404 (AISI 316L)
Housing material	EN10088-1-1.4404 (AISI 316L)
Refrigerants	DR3, DR55, DR7, HDR110, L40, R1234yf, R1234ze, R1270, R1290, R134a, R22, R227, R23, R290, R32, R404A, R407A, R407B, R407C, R407F, R410A, R413A, R417A, R422A, R422D, R427A, R438A, R444B, R447A, R448A, R449A, R449B, R450A, R452A/B, R454A/B/C, R455A, R502, R507, R513A, R600, R600a, 717 (NH ₃), R744 (CO ₂), R1270

Ordering
AKS 32, version 1 – 5 V

Operating range [bar]		Max. working pressure PB [bar]	Compensated temperature range [°C]	Code no.		
				EN 175301-803, plug Pg 9		
				¼ NPT ¹⁾	G ¾ A ²⁾	7/16-20 UNF Female
LP	-1 – 6	33	-30 – 40	060G2000	060G2004	060G2068
	-1 – 12	33	-30 – 40	060G2001	060G2005	060G2069
HP	-1 – 20	40	0 – 80	060G2002	060G2006	060G2070
	-1 – 34	55	0 – 80	060G2003	060G2007	060G2071
	-1 – 50	100	0 – 80	-	-	060G2155

AKS 32, version 0 – 10 V

Operating range [bar]		Max. working pressure PB [bar]	Compensated temperature range [°C]	Code no.		
				EN 175301-803, plug Pg 9		
				¼ NPT ¹⁾	G ¾ A ²⁾	7/16-20 UNF Female
LP	-1 – 5	33	-30 – 40	-	060G2038	-
	-1 – 9	33	-30 – 40	060G2013	060G2036	060G2082
HP	-1 – 24	40	0 – 80	060G2014	060G2037	060G2083
	-1 – 39	60	0 – 80	060G2080	060G2079	060G2084

AKS 33, version 4 – 20 mA

Operating range [bar]		Max. working pressure PB [bar]	Compensated temperature range [°C]	Code no.					
				EN 175301-803, plug Pg 9			Cable		
				¼ NPT ¹⁾	G ¾ A ²⁾	7/16-20 UNF Female	¼ NPT ¹⁾	G ¾ A ²⁾	7/16-20 UNF Female
LP	-1 – 5	33	-30 – 40	060G2112	060G2108	060G2047	-	-	-
	-1 – 6	33	-30 – 40	060G2100	060G2104	060G2048	-	060G2120	-
	-1 – 9	33	-30 – 40	060G2113	060G2111	060G2044	-	-	060G2062
	-1 – 12	33	-30 – 40	060G2101	060G2105	060G2049	060G2117	-	-
	0 – 16	40	-30 – 40	060G2114	060G2109	-	-	-	-
HP	-1 – 34	55	0 – 80	060G2103	060G2107	060G2051	060G2119	-	060G2065
	-1 – 20	40	0 – 80	060G2102	060G2106	060G2050	060G2118	-	-
	0 – 25	40	0 – 80	060G2115	060G2110	060G2045	-	060G2127	060G2067

¹⁾ ¼- 18 NPT

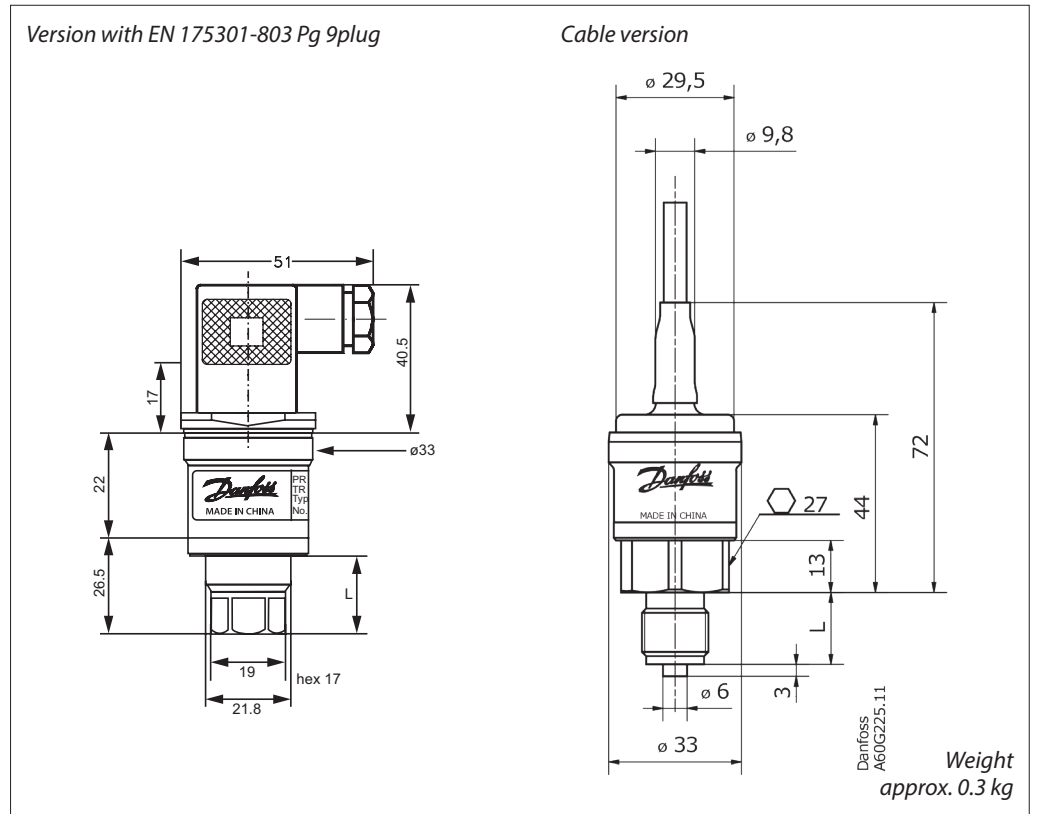
²⁾ Thread ISO 228/1 - G ¾ A (BSP)

Is also available in US-version (1 – 6 V) and with ¼-27 NPT connection. Please contact Danfoss

Electrical connections

Type code	A1	A3
Ambient temperature	-40 – 85 °C	-30 – 80 °C
Electrical connection 4 – 20 m output	Pin 1: + supply Pin 2: ÷ supply Pin 3: not used Earth : Connected to AKS enclosure	Brown wire: + supply Black wire: ÷ supply Red wire: not used Orange wire: not used Screen: not connected to AKS enclosure
Electrical connection 0 – 5 –, 0 – 10 V output	Pin 1: + supply Pin 2: ÷ supply/common Pin 3: + output Earth : Connected to AKS enclosure	Brown wire: + output Black wire: ÷ supply/common Red wire: + supply Orange wire: not used Screen: not connected to AKS enclosure

Dimensions and weights



Pressure Connection	¼ - 18 NPT	G ¾ A ISO 228/1	¼ in- flare 7/16 - 20 UNF
L [mm]	16	18	16.5

Danfoss can accept no responsibility for possible errors in catalogues, brochures and other printed material. Danfoss reserves the right to alter its products without notice. This also applies to products already on order provided that such alterations can be made without subsequential changes being necessary in specifications already agreed. All trademarks in this material are property of the respective companies. Danfoss and the Danfoss logotype are trademarks of Danfoss A/S. All rights reserved.