

OPERATION

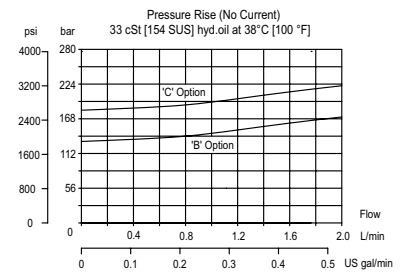
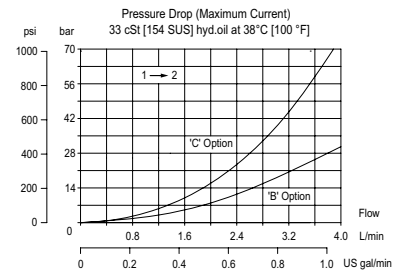
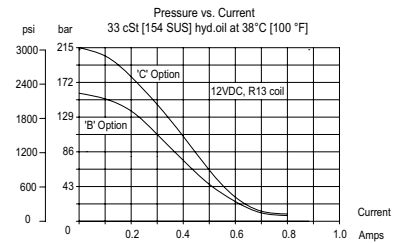
This is a direct acting, normally closed, proportional pressure relief valve.

SPECIFICATIONS

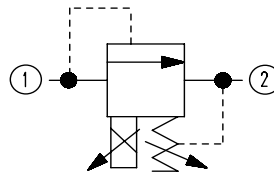
Rated pressure	215 bar [3120 psi]
Maximum recommended flow	155 bar option: 3.78 l/min [1.0 US gal/min] 215 bar option: 2.84 l/min [0.75 US gal/min]
Hysteresis	5% maximum
Threshold current	0 A (12 VDC coil) 0 A (24 VDC coil)
Maximum control current	0.8 A (12 VDC coil) 0.4 A (24 VDC coil)
Standard maximum setting options	155 bar [2250 psi] 215 bar [3120 psi]
Cavity	SDC08-2
Coil	R13 16 Watt

Note: A PWM frequency of 50 Hz is recommended for optimal performance.

THEORETICAL PERFORMANCE



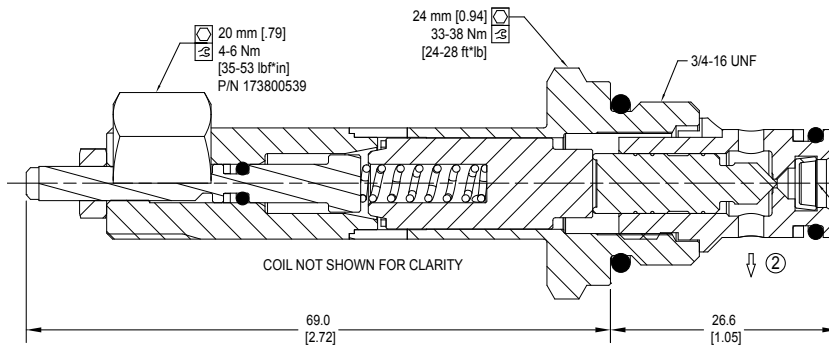
SCHEMATIC



DIMENSIONS

mm [in]

Cross-sectional view



ORDERING INFORMATION

Proportional Relief Valve, 08 Size, Direct Acting, Normally Closed

PRV08-DAC-215-C-E-R12D-AS-B-F-S6S

Pressure Setting	
Option	Setting Code (10 bar inc.)
B	65-155 Bar (940-2250 psi)
C	155-215 Bar (2250-3120 psi)

Maximum Pressure Option	
Code	Max Pressure
B	155 Bar (2250 psi)
C	215 Bar (3120 psi)

Adjustment Option	
Code	Adjustment Option
E	External

Coil Voltage	
Description	Code
No Coil with nut	R00
12 VDC	R12D
24 VDC	R24D

Coil Termination	
Type	Code
AMP SuperSeal 1.5	AS
Deutsch	DE
Flying Leads	FL
Metri-Pack 150 Type 2	M3

Housing and Ports		
Code	Ports & Material	Body Nomenclature
00	Cartridge Only	No Body
4S	#4 SAE, AL	CP08-2-4S
6S	#6 SAE, AL	CP08-2-6S
DG-2B	1/4 BSP, AL	SDC08-2-DG-3B
DG-3B	3/8, BSP, AL	SDC08-2-DG-3B
S4S	#4 SAE, DUCTILE	CP08-2-S4S
S6S	#6 SAE, DUCTILE	CP08-2-S6S

Filter Option	
Code	Option
F	Filter
0	No Filter

Seal Option		
Code	Material	Seal Kits
B	Buna	11191986
V	Viton	11191987