



Proportional Valves Technical Information

Pressure Relieving, Direct Acting, Normally Closed

HPRV08-DAC



OPERATION

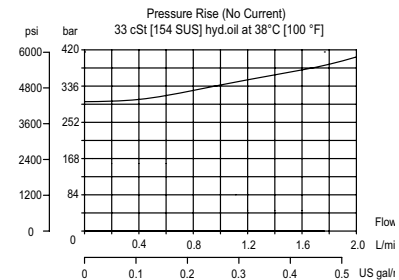
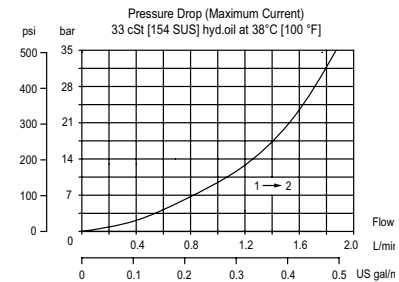
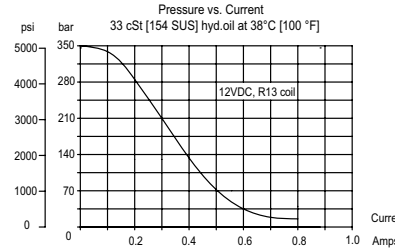
This is a direct acting, normally closed, proportional pressure relief valve.

SPECIFICATIONS

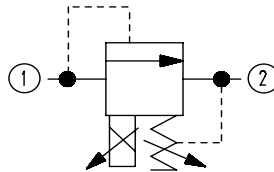
Rated pressure	350 bar [5075 psi]
Maximum recommended flow	1.89 l/min [0.5 US gal/min]
Hysteresis	5% maximum
Threshold current	0 A (12 VDC coil) 0 A (24 VDC coil)
Maximum control current	0.8 A (12 VDC coil) 0.4 A (24 VDC coil)
Standard maximum setting	350 bar [5075 psi]
Cavity	SDC08-2
Coil	R13 16 Watt

Note: A PWM frequency of 50 Hz is recommended for optimal performance.

THEORETICAL PERFORMANCE



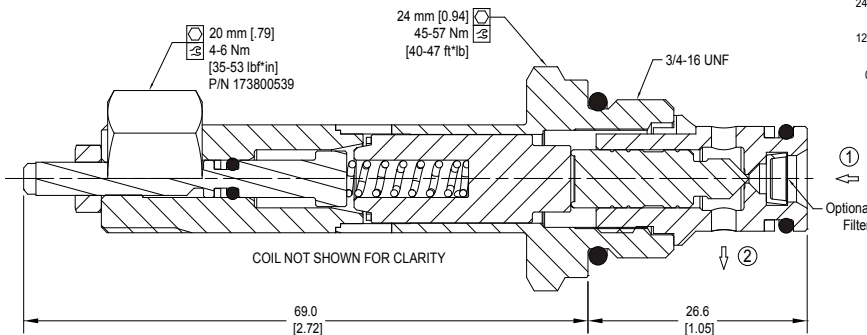
SCHEMATIC



DIMENSIONS

mm [in]

Cross-sectional view



ORDERING INFORMATION

HPRV08-DAC-350-D-E-R12D-DE-BF-4S

High Pressure, Proportional Relief Valve, 08 Size, Direct Acting, Normally Closed

Pressure Setting	
Option	Setting Code (10 bar inc.)
D	215-350 Bar (3120-5075 psi)

Maximum Pressure Option	
Code	Max Pressure
D	350 Bar (5075 psi)

Adjustment Option	
Code	Adjustment Option
E	External

Coil Voltage	
Description	Code
No Coil, with nut	R00
12 VDC	R12D
24 VDC	R24D

Coil Termination	
Type	Code
AMP SuperSeal 1.5	AS
Deutsch	DE
Flying Leads	FL
Metri-Pack 150 Type 2	M3

Housing and Ports		
Code	Ports & Material	Body Nomenclature
00	Cartridge Only	No Body
S4S	#4 SAE, DUCTILE	CP08-2-S4S
S6S	#6 SAE, DUCTILE	CP08-2-S6S

* Aluminum housings available for use in applications less than 210 bar (3000 psi). Consult factory for details.

Filter Option	
Code	Option
F	Filter
Omit	No Filter

Seal Option		
Code	Material	Seal Kits
B	Buna	11191986
V	Viton	11191987