



Sequence Valves Technical Information

Unloading Valve, Pilot Operated, Spool

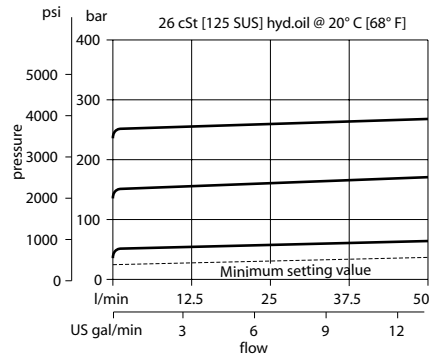
AUV 06

OPERATION

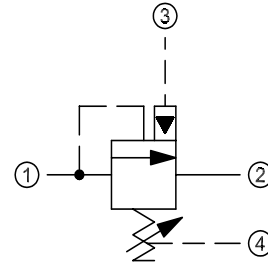
This is a normally-closed sequence valve that loads and unloads a system at a pre-determined ratio.

SPECIFICATIONS

Theoretical performance



Schematic



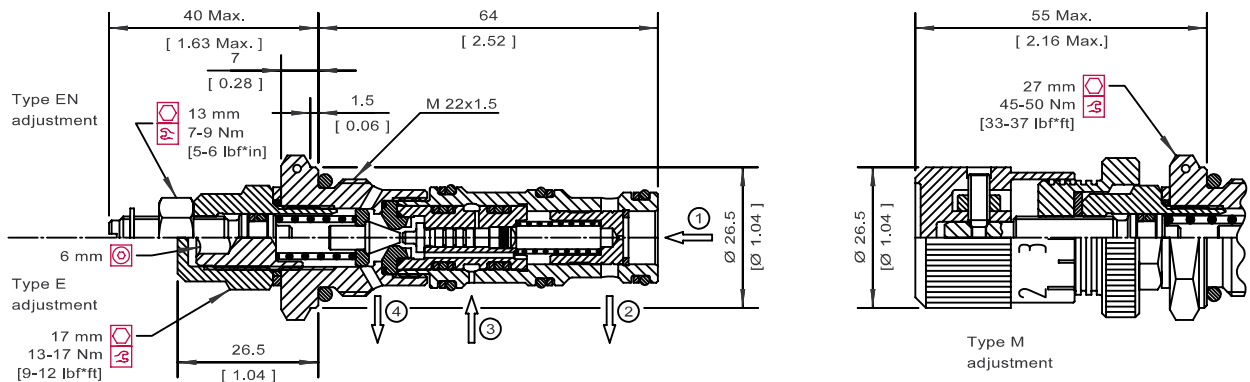
Specifications

| | |
|----------------|-----------------------------|
| Rated pressure | 250 bar [3600 psi] |
| Rated flow | 50 l/min [13 US gal/min] |
| Weight | 0.22 kg [0.49 lb] |
| Cavity | NCS06/4 |

DIMENSIONS

mm [in]

Cross-sectional view



ORDERING INFORMATION

AUV 06 - EN - 1 - A - L3/8 - V

Adjustment
E = Internal screw
EN = External screw
M = Handwheel

Setting range
1 = 10-70 bar [145-1015 psi]
2 = 30-140 bar [435-2031 psi]
3 = 70-210 bar [1015-3046 psi]

Pressure ratio
A = 85%

Seals
V = Viton
Omit = Buna-N
Seal kit
230000350
230000080

Housing and ports
00 = No Housing
L3/8 = AL, 3/8 BSP
L1/2 = AL, 1/2 BSP
L6S = AL, #6 SAE
L8S = AL, #8 SAE
Housing P/N
No Housing
NCS06/4-L-3/8
NCS06/4-L-1/2
NCS06/4-L-6S
NCS06/4-L-8S

Other housings available

To order this valve with a specific factory setting, contact your Danfoss ICS representative