



Directional Control Valves Technical Information

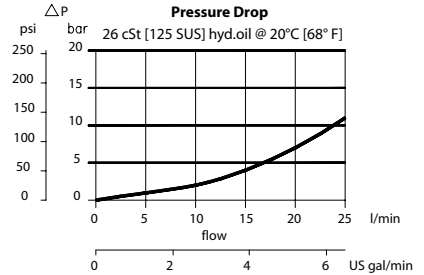
Directional Mechanical, Poppet, Push to Open

CE 06

OPERATION

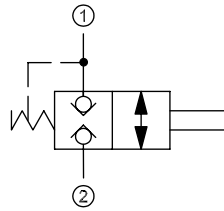
This is a normally-closed, manually-operated, bi-directional poppet valve.

Theoretical performance



SPECIFICATIONS

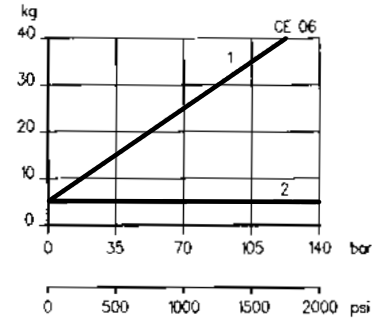
Schematic



Specifications

Rated pressure	315 bar [4500 psi]
Rated flow at 7 bar [100 psi]	20 l/min [5 US gal/min]
Weight	0.20 kg [0.44 lb]
Cavity	NCS06/2

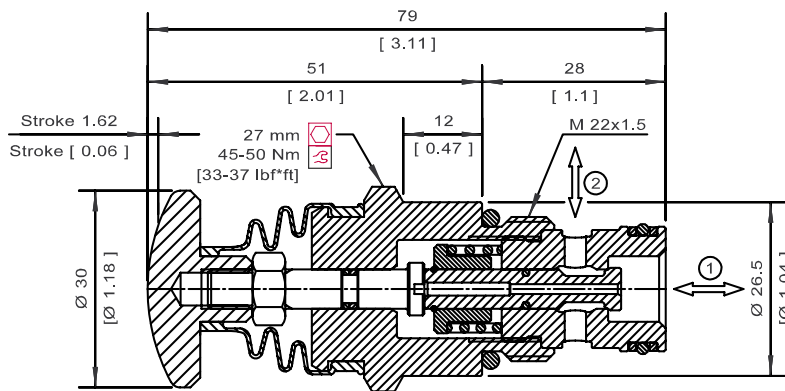
Force required to operate override



DIMENSIONS

Cross-sectional view

mm [in]



ORDERING INFORMATION

CE 06 - 00 - V

Seals

V = Viton Seal kit 230000380
Omit = Buna-N Seal kit 230000060

Housing and ports

00 = No Housing
DG3/8 = AL, 3/8 BSP
DG1/2 = AL, 1/2 BSP
DG6S = AL, #6 SAE
DG8S = AL, #8 SAE
Other housings available

Housing P/N

No Housing
NCS06/2-DG-3/8
NCS06/2-DG-1/2
NCS06/2-DG-6S
NCS06/2-DG-8S