



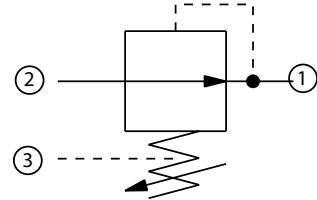
Pressure Reducing Valves Technical Information

Pressure Reducing, Non-Relieving, Direct Acting PRC 06

OPERATION

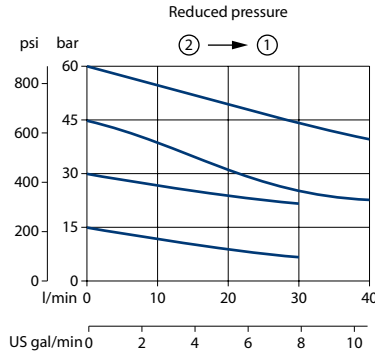
This is a direct-acting pressure reducing (non-relieving) valve.

Schematic



SPECIFICATIONS

Theoretical performance



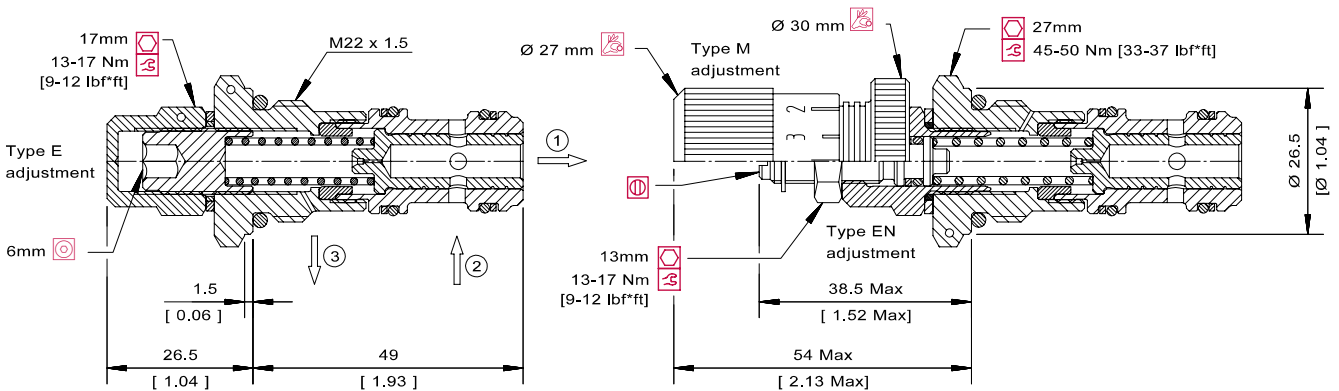
Specifications

Rated pressure	315 bar [4500 psi]
Rated Flow	40 l/min [11 US gal/min]
Weight	0.14 kg [0.31 lb]
Cavity	NCS06/3

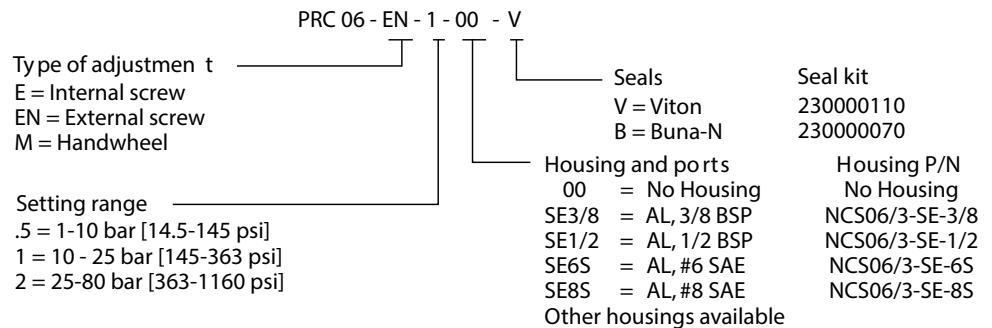
DIMENSIONS

mm [in]

Cross-sectional view



ORDERING INFORMATION



To order this valve with a specific factory setting, contact your Danfoss ICS representative