



Directional Control Valves Technical Information

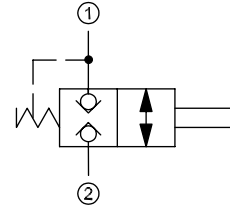
Directional Mechanical, Poppet, Push to Open

CP600-2

OPERATION

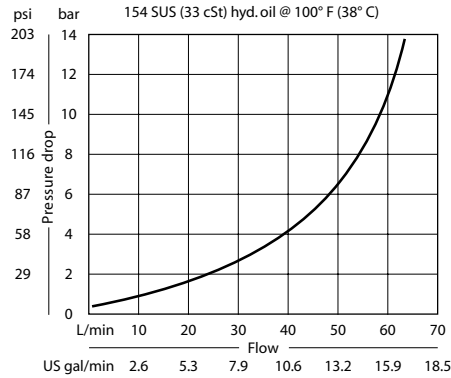
This valve is a normally closed, manually operated, bi-directional push-to-open valve.

Schematic



SPECIFICATIONS

Theoretical performance



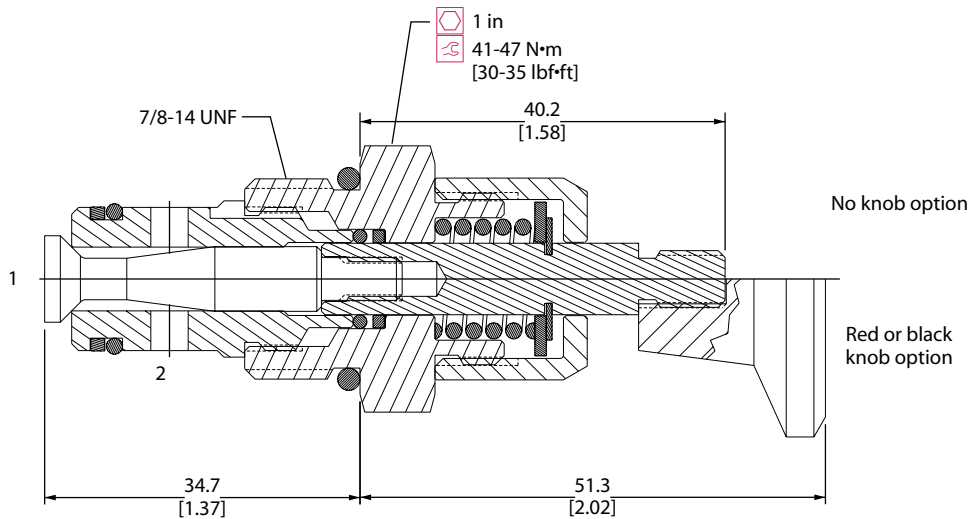
Specifications

Rated pressure	207 bar [3000 psi]
Rated flow at 7 bar [100 psi]	50 l/min [13 US gal/min]
Leakage	6 drops/min @ Rated pressure
Weight	0.11 kg [0.25 lb]
Cavity	SDC10-2

DIMENSIONS

mm [in]

Cross-sectional view



ORDERING INFORMATION

CP600 - 2 - B - 8S - 10 - B

Seals	Seal kit	Knob option
B = Buna-N	120015	0 = No knob (1/4-28 UNF threads)
V = Viton	120016	B = Black knob
Housing and ports	Housing P/N	R = Red knob
0 = No Housing	No Housing	
DG3B = AL, 3/8 BSP	SDC10-2-DG-3B	
DG4B = AL, 1/2 BSP	SDC10-2-DG-4B	
6S = AL, #6 SAE	CP10-2-6S	
8S = AL, #8 SAE	CP10-2-8S	
Other housings available		Spring load
		10 = 44 N [10 lbf]
		15 = 67 N [15 lbf]