



# Pressure Reducing Valves Technical Information

Pressure Reducing, Relieving, Direct Acting, Designed for PVG Actuators  
PRR10-PVG

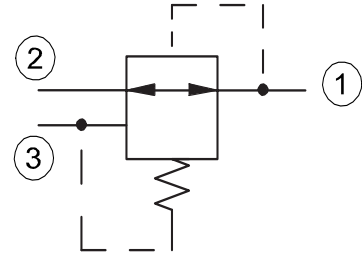
## OPERATION

This is a direct-acting pressure reducing/relieving valve, designed for PVG actuators.

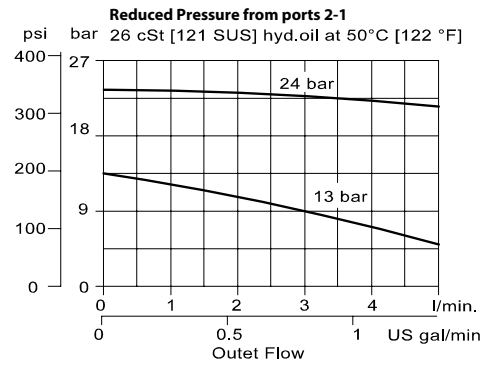
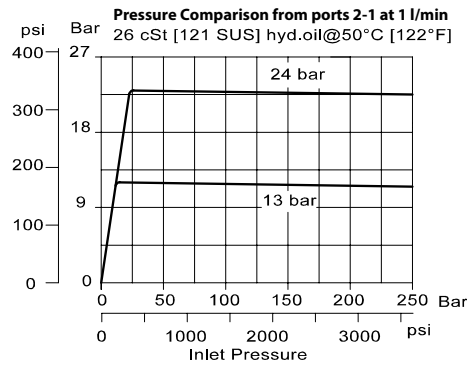
## SPECIFICATIONS

Max. pressure in port 2	210 bar [3000 psi]
Maximum flow	5 l/min [1.3 US gal/min]
Cartridge Weight	0.23 kg [0.51 lb]
Cavity	SDC10-3

## Schematics



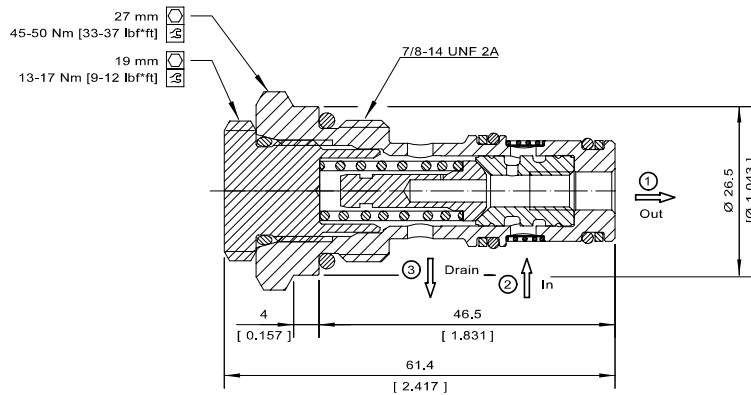
## Theoretical performance



## DIMENSIONS

### Cross-sectional view

mm [in]



## ORDERING INFORMATION

PRR10-PVG-E-13-B-F-00

Body and ports  
00 = Cartridge only  
6S = Al, #6 SAE  
8S = Al, #8 SAE  
SE3B = Al, 3/8 BSP  
SE4B = Al, 1/2 BSP  
Other housings available

Body Nomenclature  
No Body  
CP10-3-6S  
CP10-3-8S  
SDC10-3-SE3B  
SDC10-3-SE4B

F = FILTER 300um  
(Omit if not required)

Pressure setting: \_\_\_\_\_  
E13 = 13 Bar for Electrical (PVE)  
H24 = 24 Bar for Hydraulic (PVH) or High Current (PVHC)

SEALS  
B = Buna 230000650  
V = Viton 354001019