



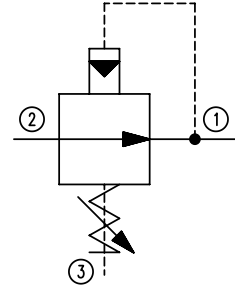
# Pressure Reducing Valves Technical Information

## Pressure Reducing, Non-Relieving, Pilot Operated CP230-4

### OPERATION

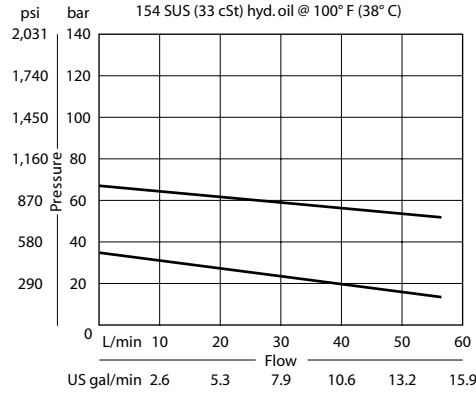
This is a pilot-operated pressure-reducing (non-relieving) valve.

### Schematic



### SPECIFICATIONS

#### Theoretical performance



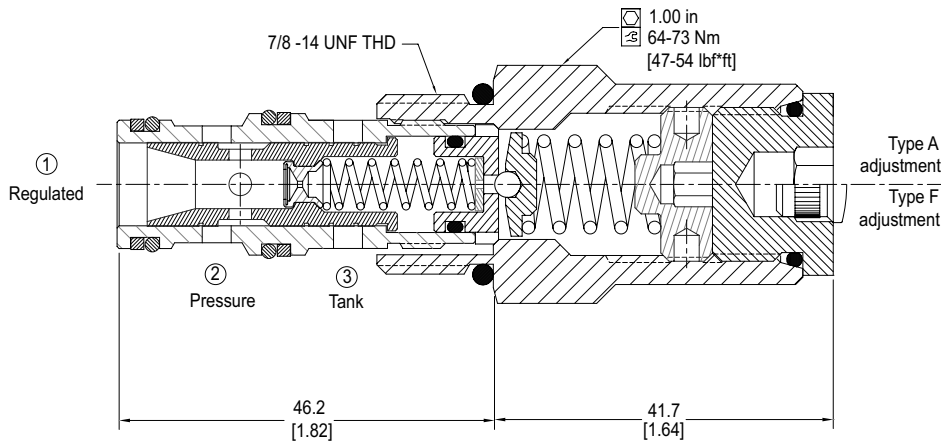
#### Specifications

<b>Rated pressure</b>	350 bar [5000 psi]
<b>Rated flow at 7 bar [100 psi]</b>	40 l/min [11 US gal/min]
<b>Weight</b>	0.20 kg [0.43 lb]
<b>Cavity</b>	<b>SDC10-3</b>

### DIMENSIONS

mm [in]

#### Cross-sectional view



### ORDERING INFORMATION

**CP230 - 4 - B - 6S - A - C - 150**

**Seals**  
B = Buna-N  
V = Viton

**Seal kit**  
120027  
120028

**Housing and ports**  
0 = No Housing  
SE3B = Al, 3/8 BSP  
SE4B = Al, 1/2 BSP  
6S = Al, #6 SAE  
8S = Al, #8 SAE  
Other housings available

**Housing P/N**  
No Housing  
SDC10-3-SE-3B  
SDC10-3-SE-4B  
CP10-3-6S  
CP10-3-8S

**Adjustment option**  
A = Internal  
E = External  
F = Tamper resistant  
K = Knob

**Pressure setting**  
Code x 10psi (0.69 bar)  
Example: 150 = 1500 psi (105 bar)

**Pressure range**

	bar	[psi]
A = Standard	14-55	[200-800]
B = Standard	28	[400]
C = Standard	21-103	[300-1500]
D = Standard	69	[1000]
Standard	28-207	[400-3000]
Standard	103	[1500]
Standard	28-345	[400-5000]
Standard	103	[1500]