



Pressure Reducing Valves Technical Information

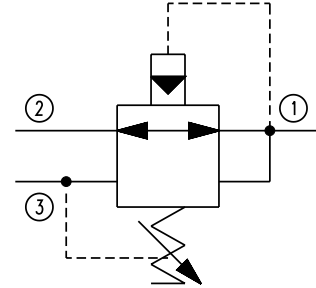
Pressure Reducing, Relieving, Pilot Operated

PRMP 064

OPERATION

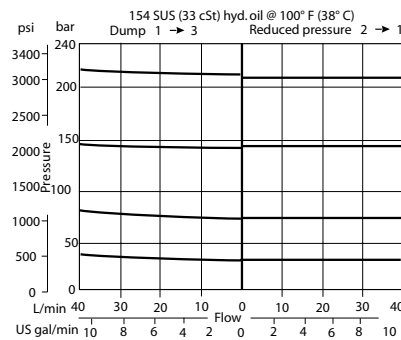
This is a pilot-operated pressure reducing/relieving valve.

Schematic



SPECIFICATIONS

Theoretical performance



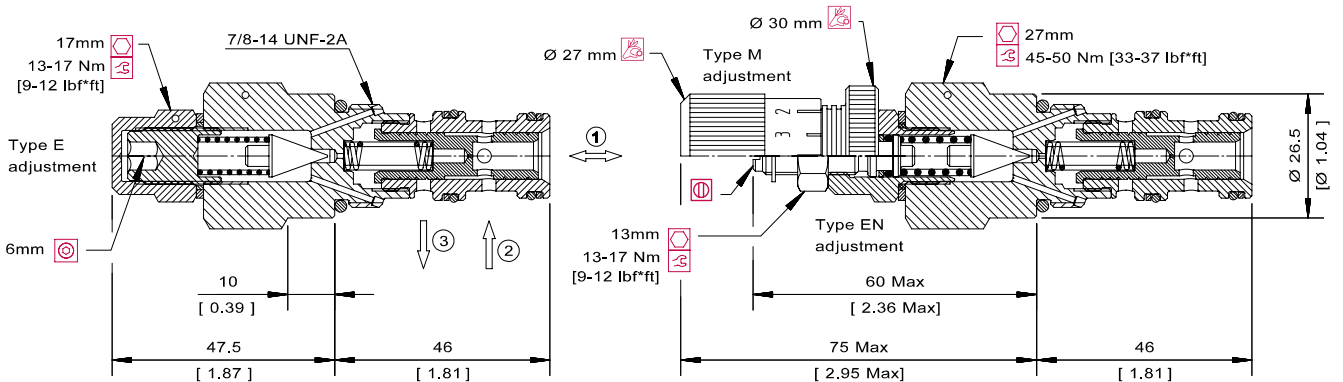
Specifications

Rated pressure	315 bar [4500 psi]
Rated Flow	40 l/min [11 US gal/min]
Weight	0.21 kg [0.46 lb]
Cavity	SDC10-3

DIMENSIONS

mm [in]

Cross-sectional view



ORDERING INFORMATION

PRMP 064 - EN - 1 - SE3/8 - V

Adjustment
E = Internal screw
EN = External screw
M = Handwheel

Setting range
1 = 10-70 bar [145-1015 psi]
2 = 30-140 bar [435-2031 psi]
3 = 70-210 bar [1015-3046 psi]

Seals Seal Kit
V = Viton 354001019
Omit = Buna-N 354000919

Housing and ports Housing P/N
00 = No Housing No Housing
SE3B = Al, 3/8 BSP SDC10-3-SE-3B
SE4B = Al, 1/2 BSP SDC10-3-SE-4B
6S = Al, #6 SAE CP10-3-6S
8S = Al, #8 SAE CP10-3-8S

Other housings available

To order this valve with a specific factory setting, contact your Danfoss ICS representative