



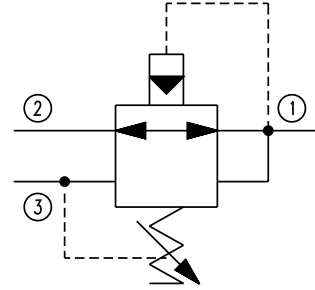
# Pressure Reducing Valves Technical Information

## Pressure Reducing, Relieving, Pilot Operated CP231-3

### OPERATION

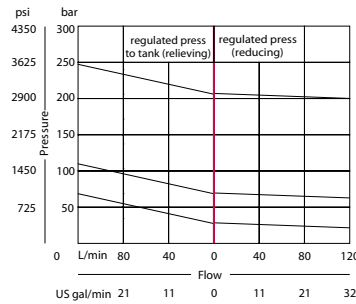
This is a pilot-operated pressure reducing/relieving valve.

### Schematic



### SPECIFICATIONS

#### Theoretical performance



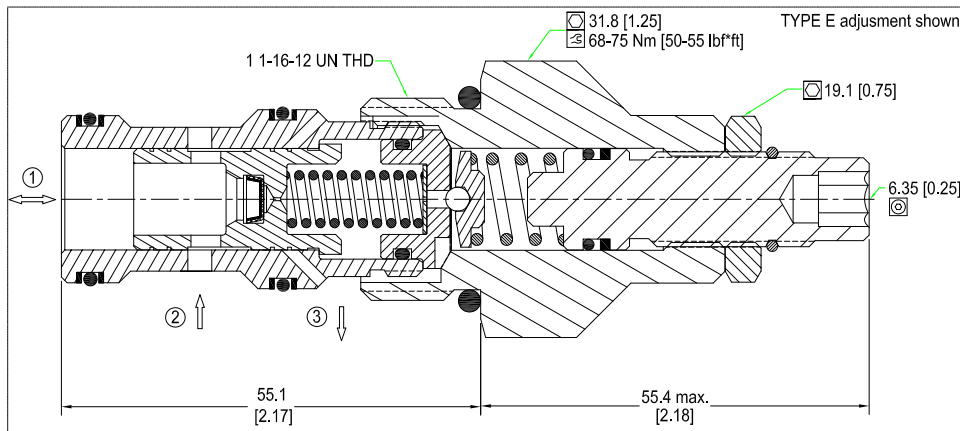
#### Specifications

<b>Rated pressure</b>	350 bar [5000 psi]
<b>Rated flow at 7 bar [100 psi]</b>	115 l/min [30 US gal/min]
<b>Weight</b>	0.27 kg [0.60 lb]
<b>Cavity</b>	<b>CP12-3S</b>

### DIMENSIONS

mm [in.]

#### Cross-sectional view



### ORDERING INFORMATION

#### CP231-3-B-10S-A-A-050

<b>Seals</b>	B = Buna-N V = Viton	<b>Seal kit</b>	120335 120336	<b>Adjustment options</b>	A = Internal F = Tamper Resistant E = External K = Knob	<b>Pressure range</b>	A = 14-55 bar [200-800 psi] B = 21-103 bar [300-1500 psi] C = 27-207 bar [400-3000 psi] D = 27-345 bar [400-5000 psi]	<b>Pressure setting</b>	Code x 10psi (0.69 bar) Example: 050 = 500 psi (34 bar)	<b>Housing and ports</b>	0 = No Housing 4B = Al, 1/2 BSP 6B = Al, 3/4 BSP 10S = Al, #10 SAE 12S = Al, #12 SAE Other housings available	<b>Housing P/N</b>	No Housing CP12-3S-4B/2B CP12-3S-6B/2B CP12-3S-10S/4S CP12-3S-12S/4S
--------------	-------------------------	-----------------	------------------	---------------------------	--	-----------------------	--	-------------------------	--	--------------------------	--	--------------------	--