



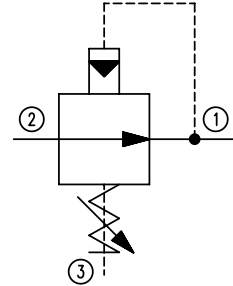
# Pressure Reducing Valves Technical Information

## Pressure Reducing, Non-Relieving, Pilot Operated PPRC 06

### OPERATION

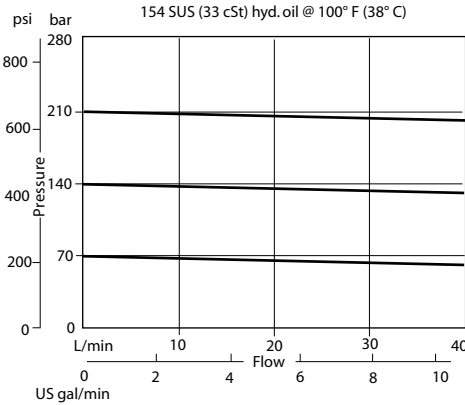
This is a pilot-operated pressure reducing (non-relieving) valve.

### Schematic



### SPECIFICATIONS

#### Theoretical performance



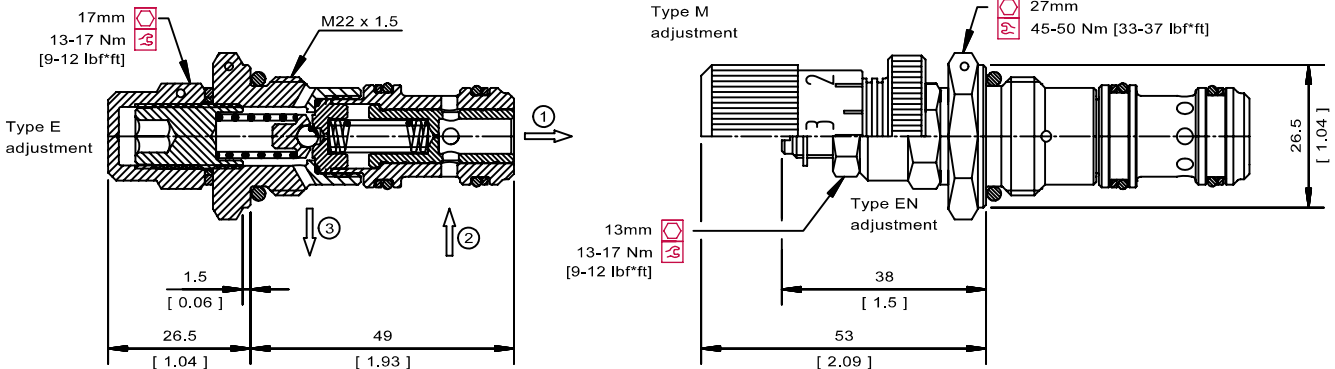
#### Specifications

Rated pressure	315 bar [4500 psi]
Rated flow at 7 bar [100 psi]	40 l/min [11 US gal/min]
Weight	0.14 kg [0.31 lb]
Cavity	NCS06/3

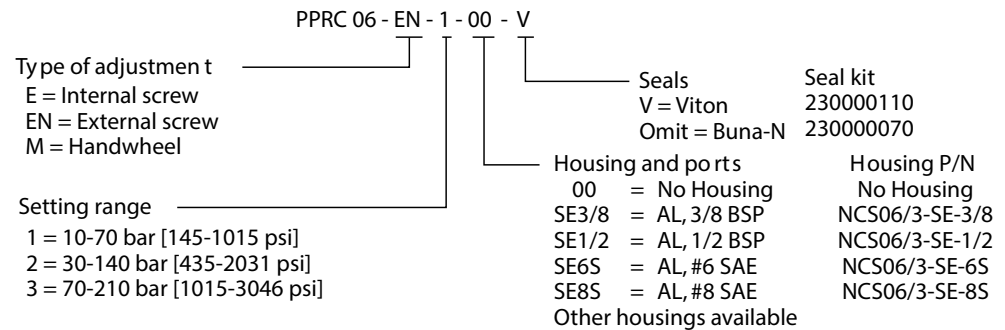
### DIMENSIONS

mm [in]

#### Cross-sectional view



### ORDERING INFORMATION



To order this valve with a specific factory setting, contact your Danfoss ICS representative