



# Flow Control Valves Technical Information

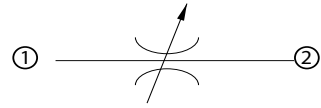
## Needle Valve, Bi-Directional

### CP618-6

### OPERATION

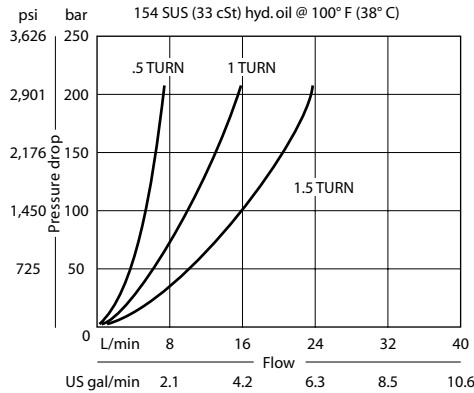
This valve is a non-pressure compensated, fine-metering, adjustable flow control valve.

### Schematic



### SPECIFICATIONS

#### Theoretical performance



#### Specifications

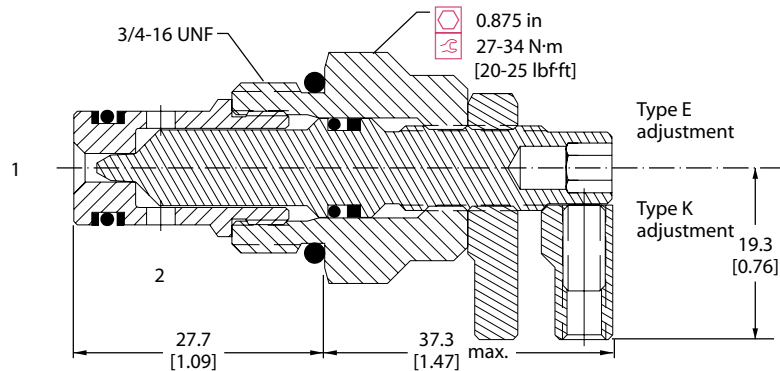
Rated pressure	310 bar [4500 psi]*
Rated flow at 7 bar [100 psi]	10 l/min [3 US gal/min]
Leakage	6 drops/min @ Rated pressure
Weight	0.12 kg 0.26 lb
Cavity	<b>SDC08-2</b>

\*Updated Pressure Rating

### DIMENSIONS

mm in

#### Cross-sectional view



### ORDERING INFORMATION

CP618-6-B-6S-K

<b>Seals</b>			
B = Buna-N		Seal kit	
V = Viton		120227	
		120228	
<b>Housing and ports</b>		<b>Housing P/N</b>	<b>Adjustment option</b>
0 = No Housing		No Housing	E = External
DG2B = AL, 1/4 BSP		SDC08-2-DG-2B	K = Knob
DG3B = AL, 3/8 BSP		SDC08-2-DG-3B	
DG4S = AL, #4 SAE		CP08-2-4S	
DG6S = AL, #6 SAE		CP08-2-6S	
Other housings available			