



# Flow Control Valves Technical Information

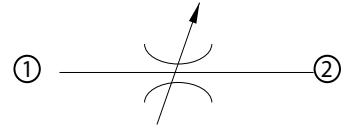
## Needle Valve, Bi-Directional

### CP618-2

### OPERATION

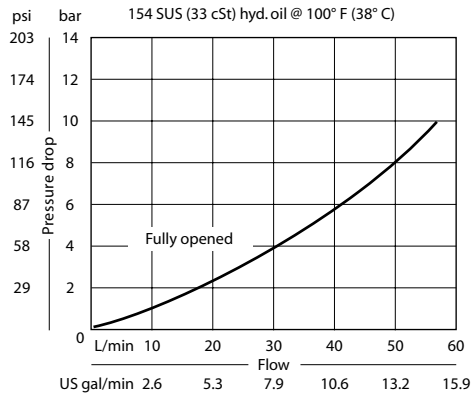
This valve is a non-pressure compensated, adjustable flow control valve.

### Schematic



### SPECIFICATIONS

#### Theoretical performance



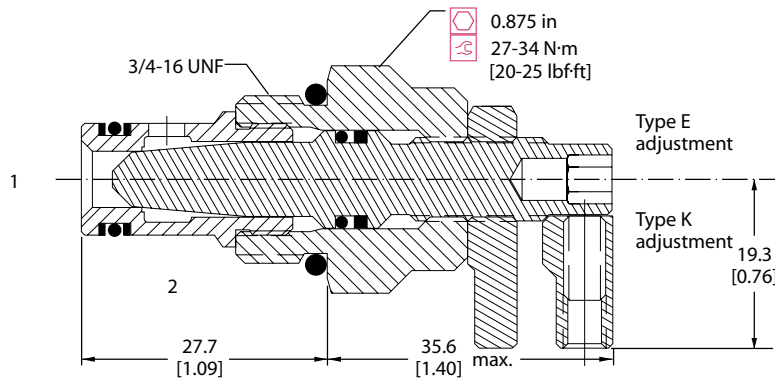
#### Specifications

<b>Rated pressure</b>	210 bar [3000 psi]
<b>Rated flow at 7 bar [100 psi]</b>	45 l/min [12 US gal/min]
<b>Leakage</b>	6 drops/min @ Rated pressure
<b>Weight</b>	0.09 kg [0.20 lb]
<b>Cavity</b>	<b>SDC08-2</b>

### DIMENSIONS

mm in

#### Cross-sectional view



### ORDERING INFORMATION

CP618 - 2 - B - 6S - K

#### Seals

B = Buna-N  
V = Viton

Seal kit  
120227  
120228

#### Housing and ports

0 = No Housing  
DG2B = AL, 1/4 BSP  
DG3B = AL, 3/8 BSP  
DG4S = AL, #4 SAE  
DG6S = AL, #6 SAE  
Other housings available

#### Housing P/N

No Housing  
SDC08-2-DG-2B  
SDC08-2-DG-2B  
CP08-2-4S  
CP08-2-6S

#### Adjustment option

E = External adjustment  
K = Knob adjustment