



Directional Control Valves Technical Information

Directional Manual, Rotary, 2-Position, 2-Way

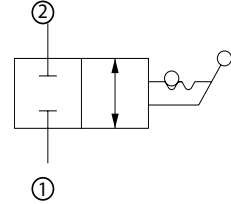
CP620-1

OPERATION

This valve is a non-compensated, adjustable flow control.

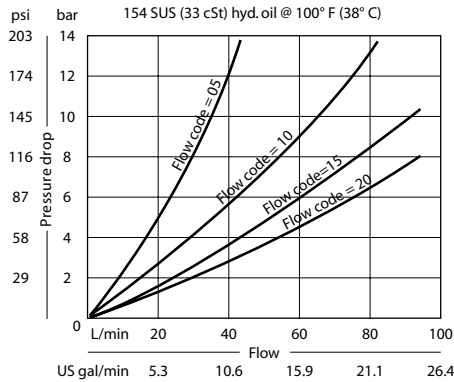
Refer to application notes for installation details.

Schematic



SPECIFICATIONS

Theoretical performance



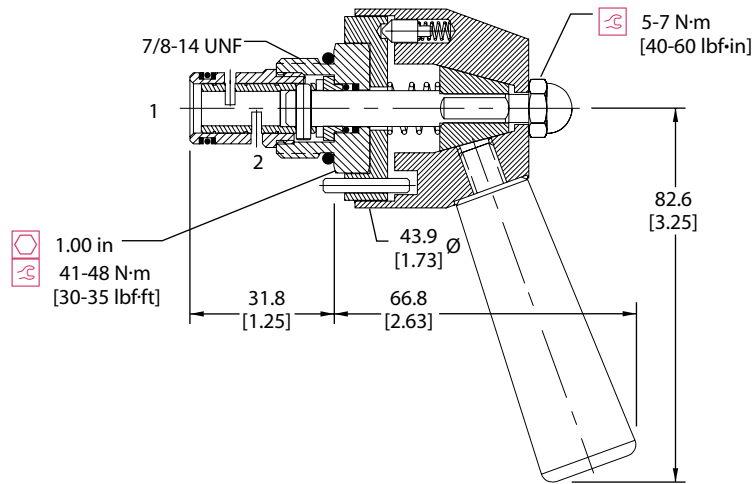
Specifications

Rated pressure	210 bar [3000 psi]
Rated flow at 7 bar [100 psi]	75 l/min [20 US gal/min]
Leakage	82 cm ³ /min [5 in ³ /min] @ Rated pressure
Weight	0.31 kg [0.69 lb]
Cavity	SDC10-2

DIMENSIONS

mm [in]

Cross-sectional view



ORDERING INFORMATION

CP620 - 1 - B - 8S - 20 - 2 - DR

<p>Seals</p> <p>B - Buna-N V - Viton</p> <p>Housing and ports</p> <p>0 = No Housing DG3B = AL, 3/8 BSP DG4B = AL, 1/2 BSP 6S = AL, #6 SAE 8S = AL, #8 SAE Other housings available</p>	<p>Seal kit</p> <p>120073 120074</p> <p>Housing P/N</p> <p>No Housing SDC10-2-DG-3B SDC10-2-DG-4B CP10-2-6S CP10-2-8S</p>	<p>Flow</p> <p>05 = 19 l/min [5 US gpm] 10 = 38 l/min [10 US gpm] 15 = 57 l/min [15 US gpm] 20 = 77 l/min [20 US gpm]</p>	<p>Rotation to close</p> <p>R - Clockwise L - Counterclockwise</p> <p>Detent</p> <p>D = Detent with handle K = Knob (not shown) knob is not detented</p> <p>Position</p> <p>2 - 2 Position detent 3 - 3 Position detent 10 - 10 Position detent</p>
--	---	--	--