

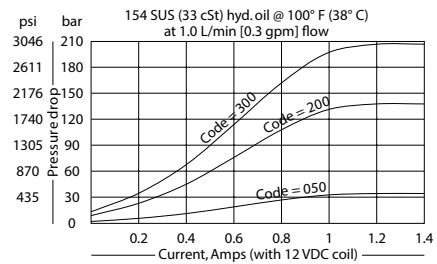
OPERATION

This is a direct-acting normally-open, proportional relief valve.

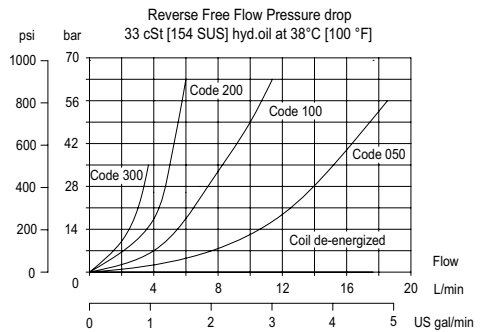
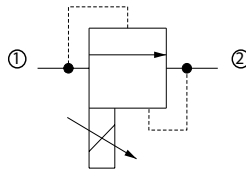
SPECIFICATIONS

Rated pressure	210 bar [3000 psi]
Rated flow	8 l/min [2 US gal/min]
Weight	0.48 kg [1.06 lb]
Hysteresis	10% maximum
Threshold current	0 A (12 VDC coil) 0 A (24 VDC coil)
Maximum control current	1.2 A (12 VDC coil) 0.6 A (24 VDC coil)
Cavity	SDC08-2
Standard Coil	D10 30 Watt
Coil nut	321978

THEORETICAL PERFORMANCE



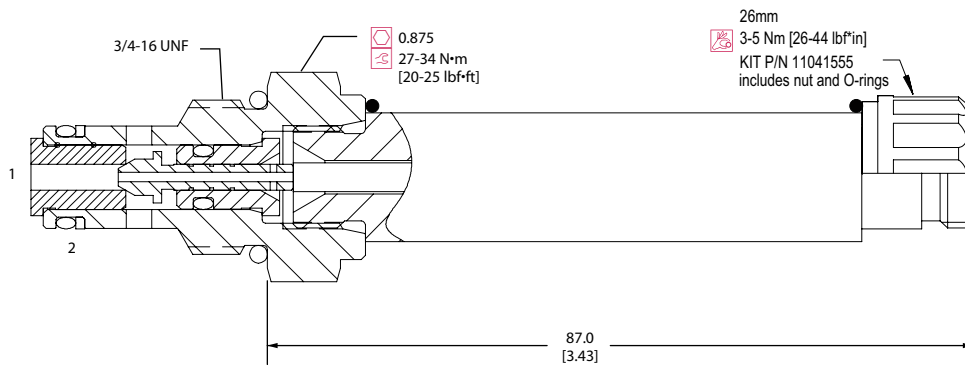
SCHEMATIC



DIMENSIONS

mm [in]

Cross-sectional view



ORDERING INFORMATION

CP558 - 20 - B - 6S - 300 - 24D - H		
Seals	Seal kit 120221 120222	Termination 00 = No connector H = DIN 43650 L = Lead wires DE = Deutsch M2 = Metripack 150 Type 1 S = Spade
B = Buna-N V = Viton		Voltage 000 = No coil 12D = 12 VDC coil 24D = 24 VDC coil
Housing and ports 0 = No Housing DG2B = AL, 1/4 BSP DG3B = AL, 3/8 BSP 4S = AL, #4 SAE 6S = AL, #6 SAE Other housings available	Housing P/N No Housing SDC08-2-DG-2B SDC08-2-DG-3B CP08-2-4S CP08-2-6S	Pressure code 050 = 35 bar [500 psi] max 100 = 69 bar [1000 psi] max 200 = 138 bar [2000 psi] max 300 = 207 bar [3000 psi] max