



Flow Control Valves Technical Information

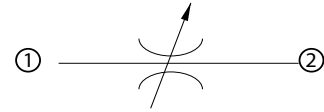
Needle Valve, Bi-Directional

CP611-2

OPERATION

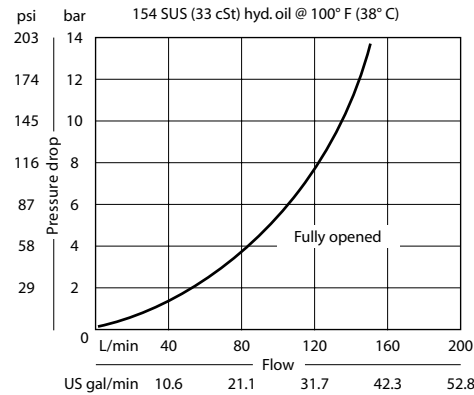
This valve is a non-pressure compensated, adjustable flow control valve.

Schematic



SPECIFICATIONS

Theoretical performance



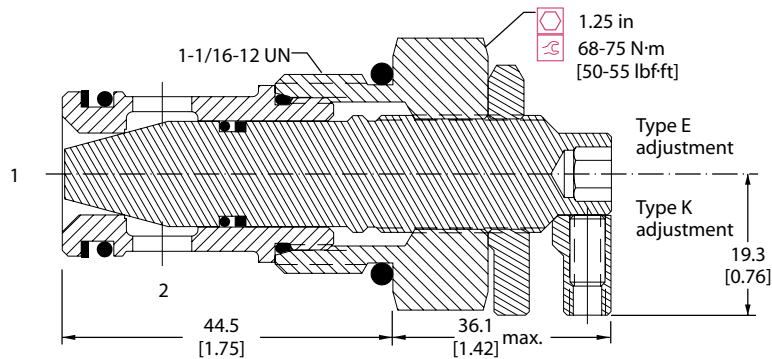
Specifications

Rated pressure	210 bar [3000 psi]
Rated flow at 7 bar [100 psi]	115 l/min [30 US gal/min]
Leakage	6 drops/min @ Rated pressure
Weight	0.26 kg [0.57 lb]
Cavity	CP12-2

DIMENSIONS

mm in

Cross-sectional view



ORDERING INFORMATION

CP611 - 2 - B - 12S - K

Seals

B = Buna-N
V = Viton

Seal kit
120017
120018

Housing and ports

0 = No housing
4B = Al, 1/2 BSP
6B = Al, 3/4 BSP
10S = Al, #10 SAE
12S = Al, #12 SAE

Housing P/N

No housing
CP12-2-4B
CP12-2-6B
CP12-2-10S
CP12-2-12S

Adjustment option

E = External
K = Knob