



Directional Control Valves Technical Information

Directional Manual, Rotary, 2-Position, 4-Way CP640-1

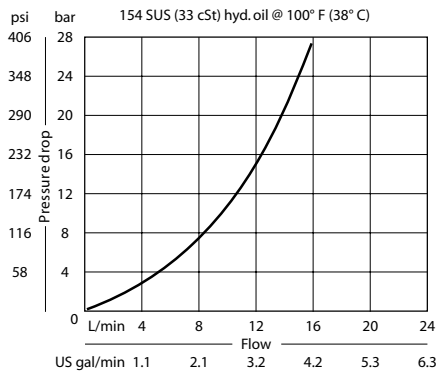
OPERATION

This valve is a 3 position 4 way manual directional control. Handle rotated full counterclockwise, flows 1<->4 & 2<->3. Handle rotated full clockwise, flows 1<->2 & 3<->4.

SPECIFICATIONS

Refer to application notes for installation details.

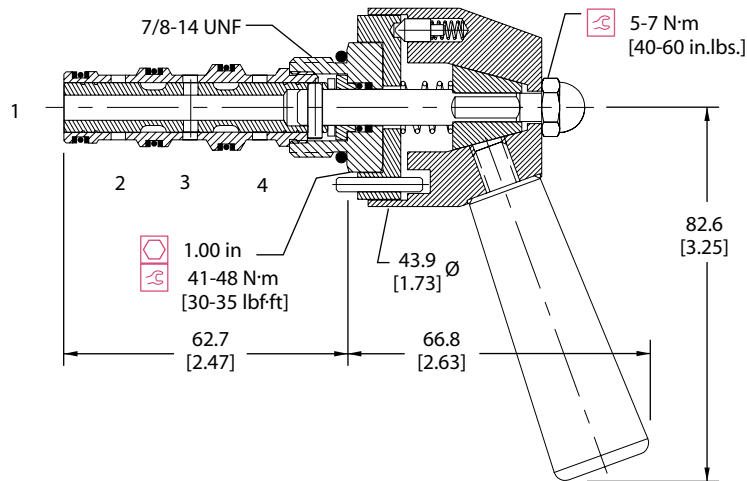
Theoretical performance



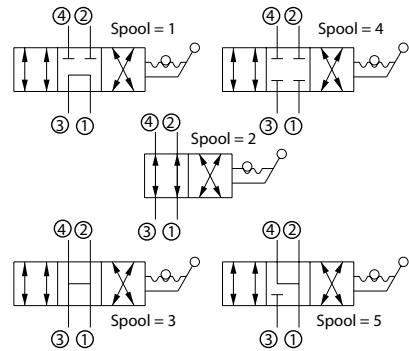
DIMENSIONS

mm [in]

Cross-sectional view



Schematic



Specifications

Rated pressure	210 bar [3000 psi]
Rated flow at 7 bar [100 psi]	10 l/min [3 US gal/min]
Leakage	82 cm ³ /min [5 in ³ /min] @ Rated pressure
Weight	0.35 kg [0.77 lb]
Cavity	SDC10-4

ORDERING INFORMATION

CP640 - 1 - B - 8S - 3 - 3 - D

Seals

B = Buna-N
V = Viton

Housing and ports

0 = No Housing
LE3B = AL, 3/8 BSP
LE4B = AL, 1/2 BSP
6S = AL, #6 SAE
8S = AL, #8 SAE
Other housings available

Housing P/N

No Housing
SDC10-4-L-3B
SDC10-4-L-4B
SDC10-4-6S
SDC10-4-8S

Detent

D = Detent with handle
K = Knob (not shown) knob is not detented

Position

2 = 2 Position detent
3 = 3 Position detent

Spool

1 = Tandem
2 = 2 position
3 = All open
4 = All closed
5 = Motor