



Directional Control Valves Technical Information

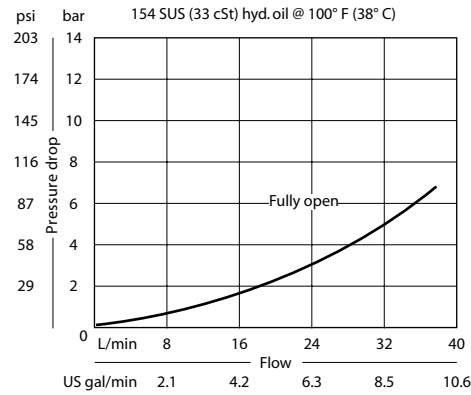
2-Position, 2-Way CP710-8

OPERATION

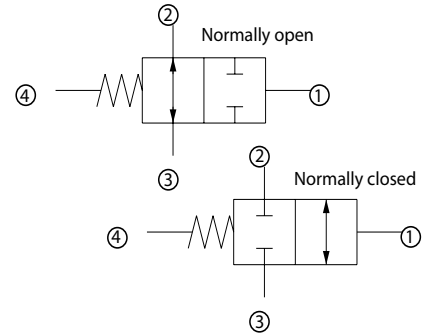
This valve is a 2-way double hydraulically piloted spool.

SPECIFICATIONS

Theoretical performance



Schematic



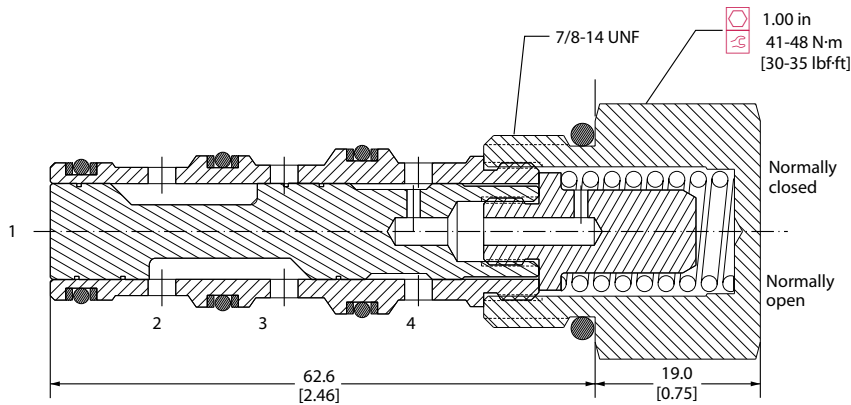
Specifications

Rated pressure	210 bar [3000 psi]
Rated flow at 7 bar [100 psi]	40 l/min [11 US gal/min]
Weight	0.15 kg [0.33 lb]
Cavity	SDC10-4

DIMENSIONS

mm [in]

Cross-sectional view



ORDERING INFORMATION

CP710 - 8 - B - 6S - C - 080

Seals	Seal kit	Shift pressure
B = Buna-N	120009	040 = 2.8 bar [40 psi]
V = Viton	120010	080 = 5.5 bar [80 psi]
Housing and ports	Housing P/N	150 = 10.3 bar [150 psi]
0 = No Housing	No Housing	
L3B = AL, 3/8 BSP	SDC10-4-L-3B	
L4B = AL, 1/2 BSP	SDC10-4-L-4B	
6S = AL, #6 SAE	CP10-4-6S	
8S = AL, #8 SAE	CP10-4-8S	
Other housings available		
Configuration		
O = Normally open		
C = Normally closed		