



# Flow Control Valves Technical Information

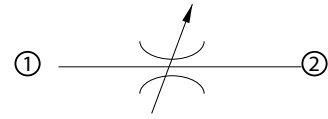
## Needle Valve, Bi-Directional

### CP612-1

#### OPERATION

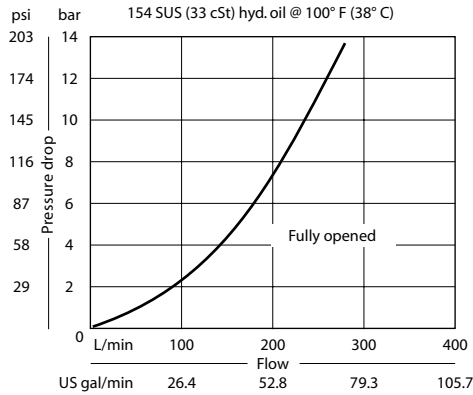
This valve is a non-pressure compensated, adjustable flow control valve.

#### Schematic



#### SPECIFICATIONS

#### Theoretical performance



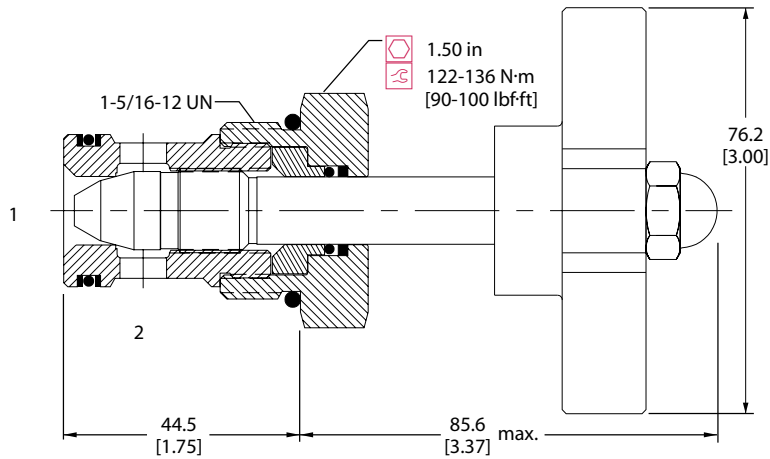
#### Specifications

<b>Rated pressure</b>	210 bar [3000 psi]
<b>Rated flow at 7 bar [100 psi]</b>	190 l/min [50 US gal/min]
<b>Leakage</b>	6 drops/min @ Rated pressure
<b>Weight</b>	0.31 kg [0.68 lb]
<b>Cavity</b>	<b>SDC16-2</b>

#### DIMENSIONS

mm in

#### Cross-sectional view



#### ORDERING INFORMATION

CP612 - 1 - B - 16S

#### Seals

B = Buna-N  
V = Viton

Seal kit  
120567  
120568

#### Housing and ports

0 = No Housing  
DG6B = AL, 3/4 BSP  
DG8B = AL, 1 BSP  
12S = AL, #12 SAE  
16S = AL, #16 SAE  
Other housings available

#### Housing P/N

No Housing  
SDC16-2-DG-6B  
SDC16-2-DG-8B  
SDC16-2-12S  
SDC16-2-16S