



Flow Control Valves Technical Information

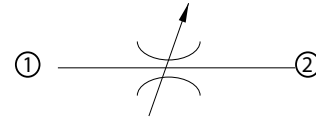
Needle Valve, Bi-Directional

CP610-1

OPERATION

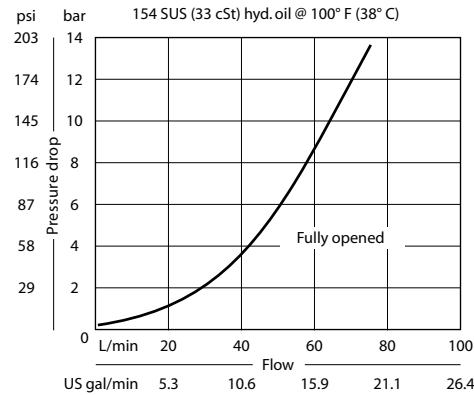
This valve is a non-pressure compensated, adjustable flow control valve.

Schematic



SPECIFICATIONS

Theoretical performance



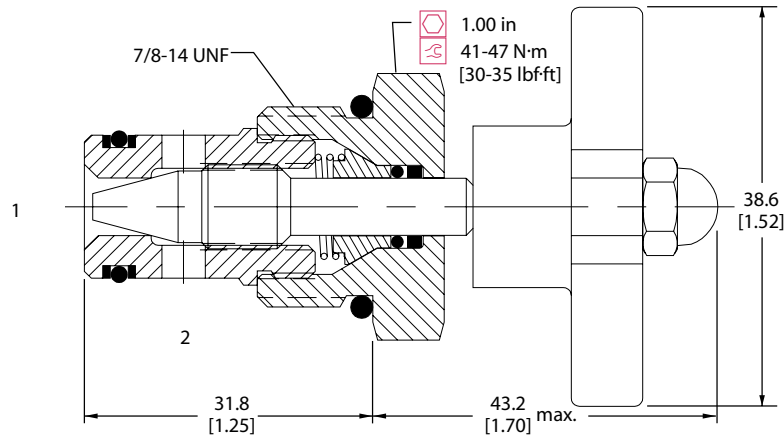
Specifications

Rated pressure	210 bar [3000 psi]
Rated flow at 7 bar [100 psi]	50 l/min [13 US gal/min]
Leakage	6 drops/min @ Rated pressure
Weight	0.10 kg [0.22 lb]
Cavity	SDC10-2

DIMENSIONS

mm in

Cross-sectional view



ORDERING INFORMATION

CP610 - 1 - B - 8S - B

Seals			
B = Buna-N	Seal kit		
V = Viton	120073		
	120074		
Housing and ports	Housing P/N		Knob option
0 = No Housing	No Housing		B = Black
DG3B = AL, 3/8 BSP	SDC10-2-DG-3B		R = Red
DG4B = AL, 1/2 BSP	SDC10-2-DG-4B		
6S = AL, #6 SAE	CP10-2-6S		
8S = AL, #8 SAE	CP10-2-8S		
Other housings available			