



Flow Control Valves Technical Information

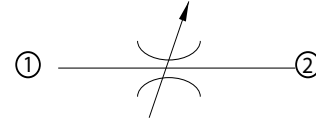
Needle Valve, Bi-Directional

CP612-2

OPERATION

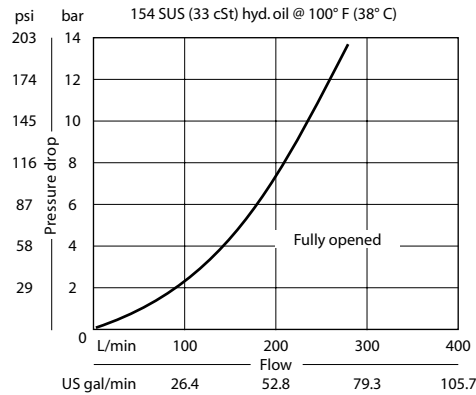
This valve is a non-pressure compensated, adjustable flow control valve.

Schematic



SPECIFICATIONS

Theoretical performance



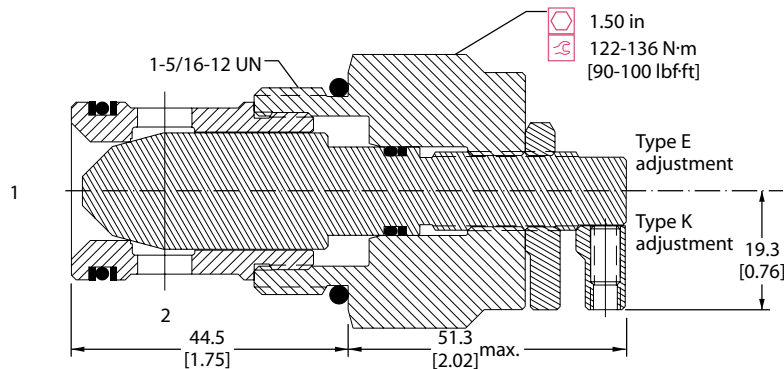
Specifications

Rated pressure	210 bar [3000 psi]
Rated flow at 7 bar [100 psi]	190 l/min [50 US gal/min]
Leakage	6 drops/min @ Rated pressure
Weight	0.48 kg [1.06 lb]
Cavity	SDC16-2

DIMENSIONS

mm in

Cross-sectional view



ORDERING INFORMATION

CP612 - 2 - B - 16S - K

Seals

B = Buna-N
V = Viton

Seal kit
120567
120568

Housing and ports

0 = No Housing
DG6B = AL, 3/4 BSP
DG8B = AL, 1 BSP
12S = AL, #12 SAE
16S = AL, #16 SAE
Other housings available

Housing P/N

No Housing
SDC16-2-DG-6B
SDC16-2-DG-8B
SDC16-2-12S
SDC16-2-16S

Adjustment option

E = External
K = Knob