



Flow Control Valves Technical Information

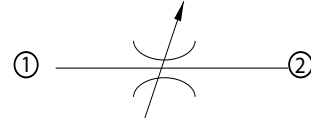
Needle Valve, Bi-Directional

CP610-2

OPERATION

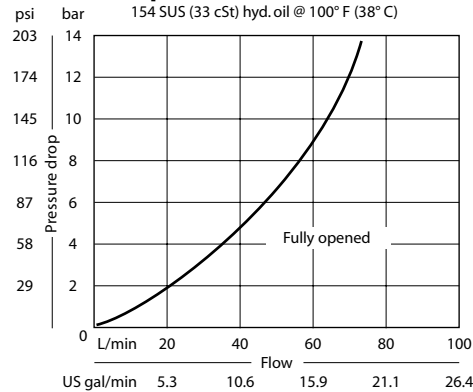
This valve is a non-pressure compensated, adjustable flow control valve.

Schematic



SPECIFICATIONS

Theoretical performance



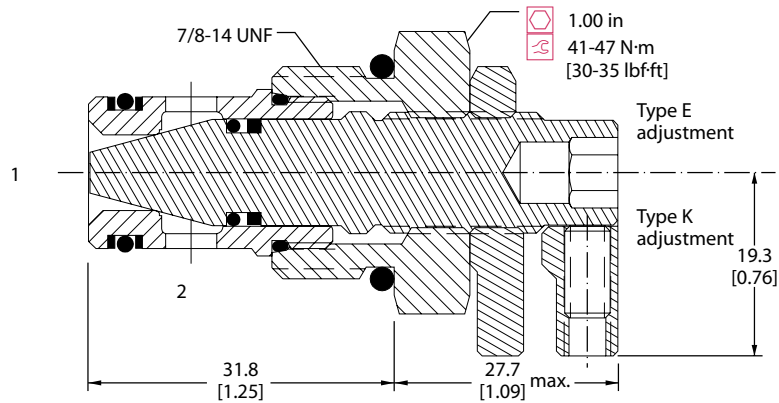
Specifications

Rated pressure	210 bar [3000 psi]
Rated flow at 7 bar [100 psi]	50 l/min [13 US gal/min]
Leakage	6 drops/min @ Rated pressure
Weight	0.13 kg [0.29 lb]
Cavity	SDC10-2

DIMENSIONS

mm in

Cross-sectional view



ORDERING INFORMATION

CP610 - 2 - B - 8S - K

Seals			
B = Buna-N		Seal kit	
V = Viton		120073	
		120074	
Housing and ports		Housing P/N	Adjustment option
0 = No Housing		No Housing	E = External
DG3B = AL, 3/8 BSP		SDC10-2-DG-3B	K = Knob
DG4B = AL, 1/2 BSP		SDC10-2-DG-4B	
6S = AL, #6 SAE		CP10-2-6S	
8S = AL, #8 SAE		CP10-2-8S	
Other housings available			