



Check Valves Technical Information

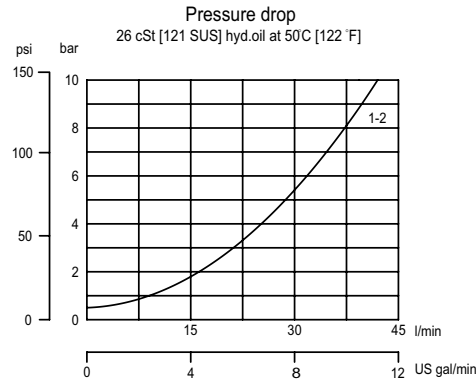
Poppet Type, Normal Direction CV08-NP

OPERATION

This valve allows free flow from 1 to 2 and blocks flow from 2 to 1.

SPECIFICATIONS

Theoretical performance



Schematic



Specifications

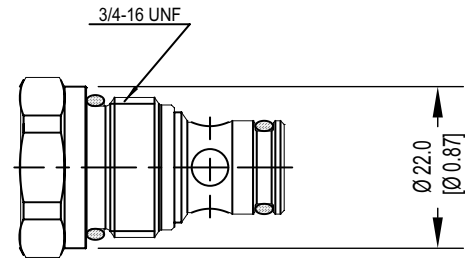
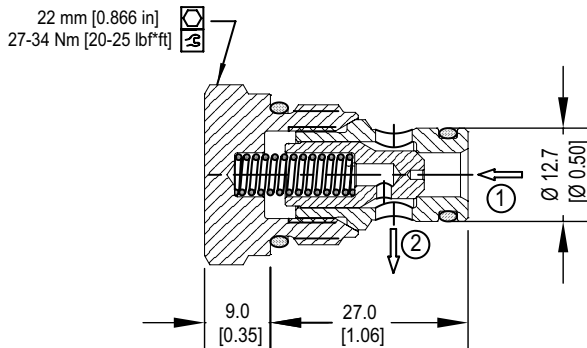
Rated pressure*	350 bar [5075 psi]
Rated flow at 7 bar [100 psi]	38 l/min [10 US gal/min]
Leakage	6 drops/min @ Rated pressure
Weight	0.05 kg [0.11 lb]
Cavity	SDC08-2

*Rated pressure based on NFPA fatigue test standard (at 1 million cycles)

DIMENSIONS

mm in

Cross-sectional view



ORDERING INFORMATION

CV08-NP-0.3-B-00

Check Valve
Poppet Type, Normal Direction

Crack Pressure	
0.3	0.3 bar [5 psi]
1	1.0 bar [15 psi]
2	2.0 bar [30 psi]
5	5.0 bar [73 psi]
7	7.0 bar [100 psi]

Code	Ports & Material	Body Nomenclature
00	00 = Cartridge only	No Body
DG2B	Al, 1/4 BSP	SDC08-2-DG-2B
DG3B	Al, 3/8 BSP	SDC08-2-DG-3B
4S	Al, #4 SAE	CP08-2-4S
6S	Al, #6 SAE	CP08-2-6S

**Aluminum bodies are to be used for pressures less than 210 bar (3000 psi)
***Other housings available

Seal Option	Seal Kit
B = Buna-N	120221
V = Viton	120222