



Check Valves Technical Information

Poppet Type, Normal Direction

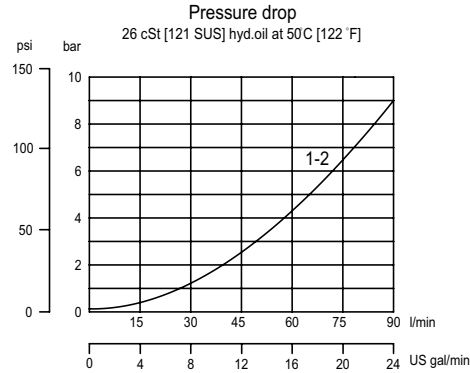
CV10-NP

OPERATION

This valve allows free flow from 1 to 2 and blocks flow from 2 to 1.

SPECIFICATIONS

Theoretical performance



Schematic



Specifications

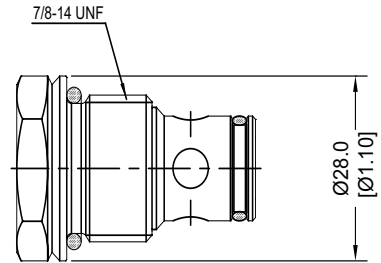
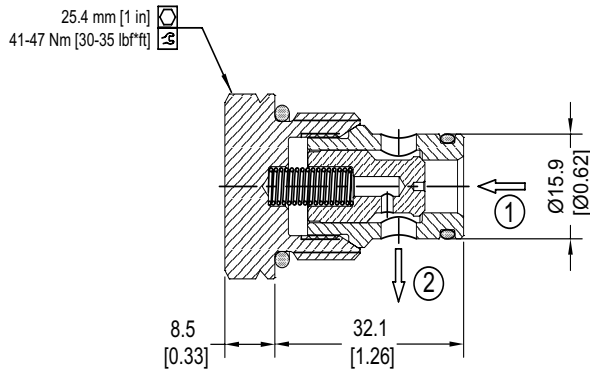
Rated pressure*	350 bar [5075 psi]
Rated flow at 7 bar [100 psi]	80 l/min [21.1 US gal/min]
Leakage	6 drops/min @ Rated pressure
Weight	0.08 kg [0.18 lb]
Cavity	SDC10-2

*Rated pressure based on NFPA fatigue test standard (at 1 million cycles)

DIMENSIONS

mm in

Cross-sectional view



ORDERING INFORMATION

CV10-NP-0.3-B-00

Check Valve
Poppet Type, Normal Direction

Crack Pressure	
0.3	0.3 bar [5 psi]
1	1.0 bar [15 psi]
2	2.0 bar [30 psi]
5	5.0 bar [73 psi]
7	7.0 bar [100 psi]
10	10 bar [150 psi]
15	15 bar [217 psi]

Code	Ports & Material	Body Nomenclature
00	00 = Cartridge only	No Body
6S	Aluminum, #6 SAE	SDC10-2-6S
8S	Aluminum, #8 SAE	SDC10-2-8S
3B	Aluminum, 3/8 BSP	SDC10-2-3B
4B	Aluminum, 1/2 BSP	SDC10-2-4B

**Aluminum bodies are to be used for pressures less than 210 bar (3000 psi)
***Other housings available

Seal Option	Seal Kit
B = Buna-N	120015
V = Viton	120016