

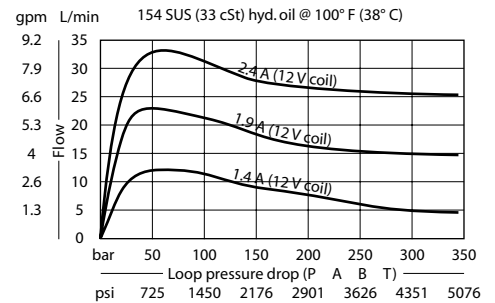
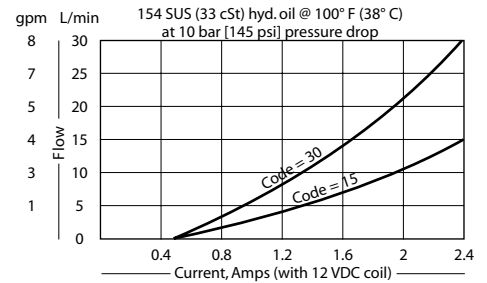
OPERATION

This valve is a proportional directional control.

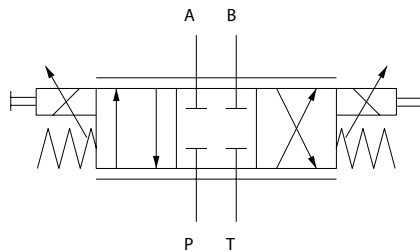
SPECIFICATIONS

Rated pressure	350 bar [5075 psi]
Rated flow at 10 bar [145 psi]	30 l/min [8 US gal/min]
Weight	2.40 kg [5.29 lb]
Hysteresis	6% maximum
Threshold current	0.5 A (12 VDC coil) 0.25 A (24 VDC coil)
Maximum control current	2.4 A (12 VDC coil) 1.2 A (24 VDC coil)
Cavity	ISO D03
Standard Coil	PD03 40 Watt
Coil nut	158-8005

THEORETICAL PERFORMANCE



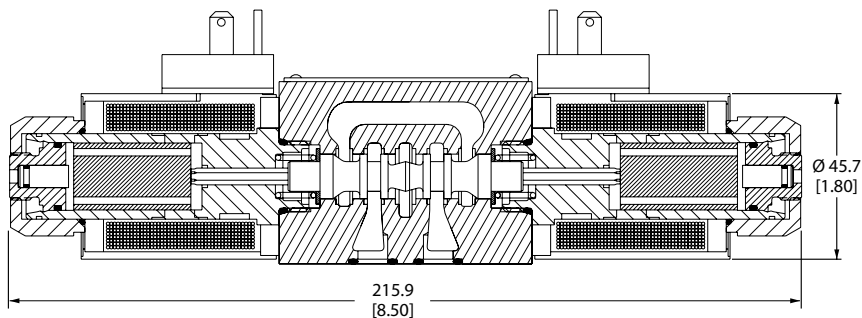
SCHEMATIC



DIMENSIONS

mm [in.]

Cross-sectional view



ORDERING INFORMATION

PDCV03-3Z11/15-12-E1-8S

Subplate option

- OMIT = No subplate
- 8S = Aluminum, #8 SAE ports
- S8S = Steel, #8 SAE ports

Voltage

- 12 = 12 VDC
- 24 = 24 VDC

Nominal flow rate

- 15 = 15 L/min [4.0 gpm]
- 30 = 30 L/min [7.9 gpm]

Termination

- E1 = DIN 43650
- E3 = Amp Jr.
- E8 = Lead wires
- E12 = Deutsch
- E14 = Dual spade

Seal Kit

- B = Buna-N Seal kit 158-8007
 - V = Viton Seal kit 158-8062
- Note : All internal seals are viton

Bolt Kit

- #10-24 Thd. 158-8064
- M5 Thd. 158-8026