

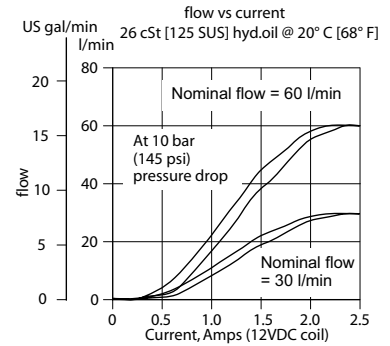
OPERATION

This is a non-compensated proportional directional control valve.

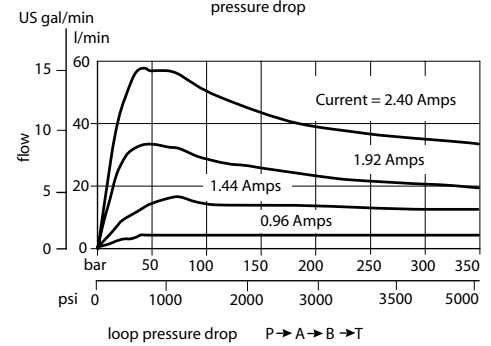
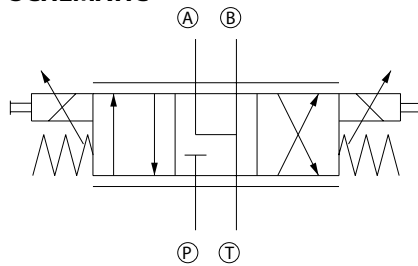
SPECIFICATIONS

Rated pressure	350 bar [5075 psi]
Rated Flow at 10 bar [150 psi]	60 l/min [16 US gal/min]
Weight	6.60 kg [14.60 lb]
Hysteresis	6% maximum
Threshold current	0.2 A (12 VDC coil) 0.1 A (24 VDC coil)
Maximum control current	1.8 A (12 VDC coil) 0.9 A (24 VDC coil)
Cavity	ISO D05
Standard Coil	PD05 23 Watt

THEORETICAL PERFORMANCE



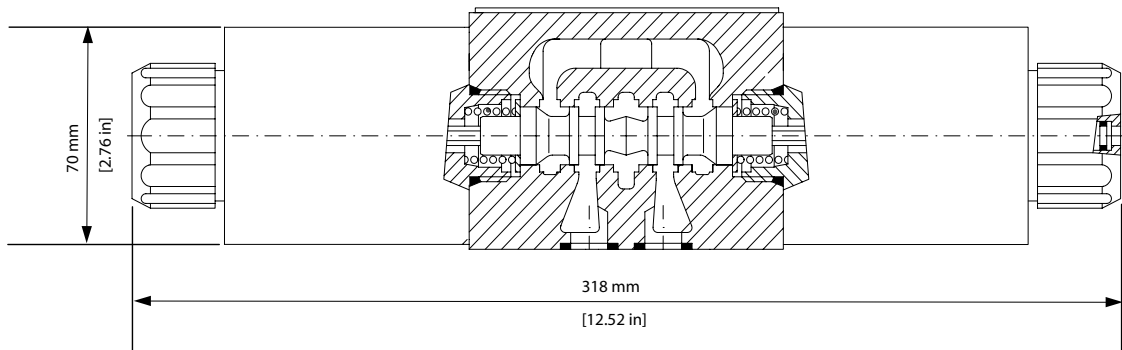
SCHEMATIC



DIMENSIONS

mm [in]

Cross-sectional view



ORDERING INFORMATION

P-DCV05-3Y11/30-12-E1

Connector

E1 = DIN 43650
E8 = Lead wires
E10 = Deutsch on leads

Seal kit

B = Buna N 158-8023
V = Viton 158-8094
All internal seals are Viton

Nominal flow rate

30 = 30 l/min [7.9 US gal/min]
60 = 60 l/min [15.8 US gal/min]

Voltage

12 = 12 VDC
24 = 24 VDC

Bolt kit

1/4-20 Thd 158-8093
M6 Thd 158-8024