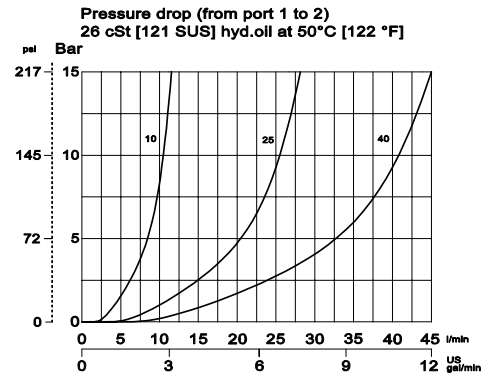
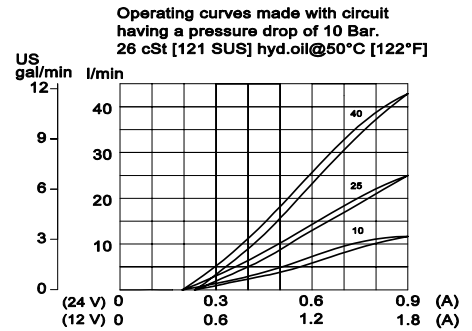


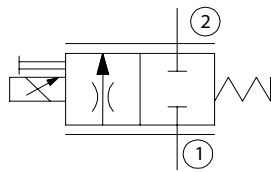
OPERATION This is a normally-closed, direct-acting, spool-type, non-compensated, proportional flow-control. Controlled flow is from port 1 to 2.

Rated pressure	260 bar [3770 psi]
Maximum flow at 10 bar [145 psi pressure drop]	PSV10-NC-10: 10 l/min [2.64 US gal/min]
	PSV10-NC-25: 25 l/min [6.6 US gal/min]
	PSV10-NC-40: 40 l/min [10.6 US gal/min]
Leakage	420 cm ³ /min [25.6 in ³ /min] @ rated pressure
Weight	0.51 kg [1.12 lb]
Hysteresis	5% maximum
Threshold current	0.5 A (12 VDC coil)
	0.25 A (24 VDC coil)
Maximum control current	1.8 A (12 VDC coil)
	0.9 A (24 VDC coil)
Cavity	SDC10-2
Standard Coil	M19P 22 Watt

THEORETICAL PERFORMANCE



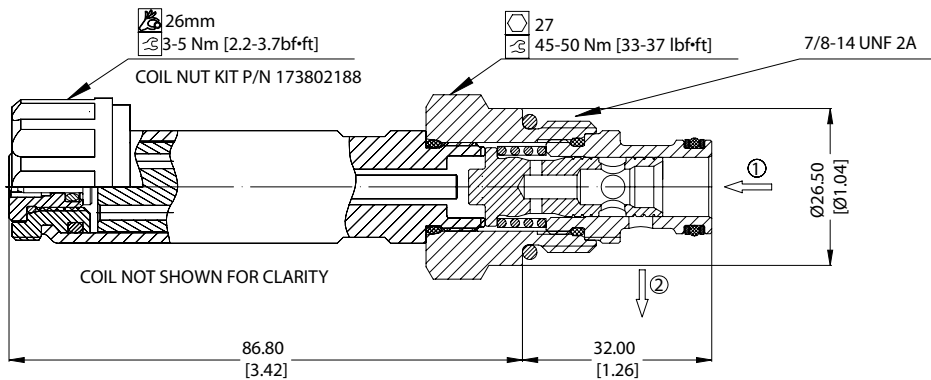
SCHEMATIC



DIMENSIONS

mm [in]

Cross-sectional view



ORDERING INFORMATION

PSV10 - NC - 40 - 12D - DE - SPS - B - 00

Proportional Flow Control Valve, Non-Compensated, Normally Closed, 10 Size Cavity

Code	Max regulated flow
10	10 l/min
25	25 l/min
40	40 l/min

Code	Coil Voltage
00	No Coil
12D	12V DC
24D	24 V DC

Code	Coil Termination
00	No Coil
AJ	Amp Junior
DE	Deutsch
DN	DIN 43650

Code	Seal	Seal Kit
B	Buna-N	354004019
V	Viton	354003419

Code*	Manual Override
Omit	Push Pin (Standard)
SPS	Screw Style (Push-Type Valve)

Body & Ports	Body Nomenclature
00 = No housing	No Body
6S = AI, #6 SAE	CP10-2-6S
8S = AI, #8 SAE	CP10-2-8S
DG3B = AI, 3/8 BSP	SDC10-2-DG3B
DG4B = AI, 1/2 BSP	SDC10-2-DG4B
* PB (Push-Button) available upon request	
Other housings available	