



Check Valves Technical Information

Reverse Direction

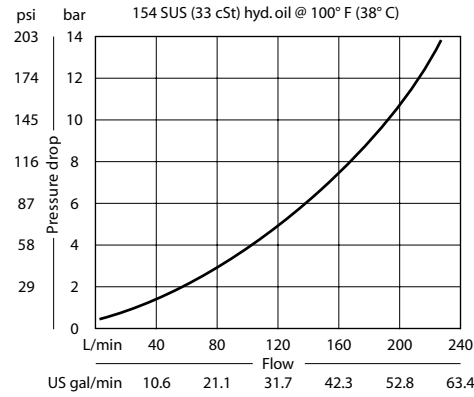
CP102-2

OPERATION

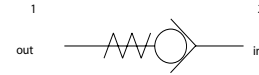
This valve allows free flow from 2 to 1 and blocks flow from 1 to 2.

SPECIFICATIONS

Theoretical performance



Schematic



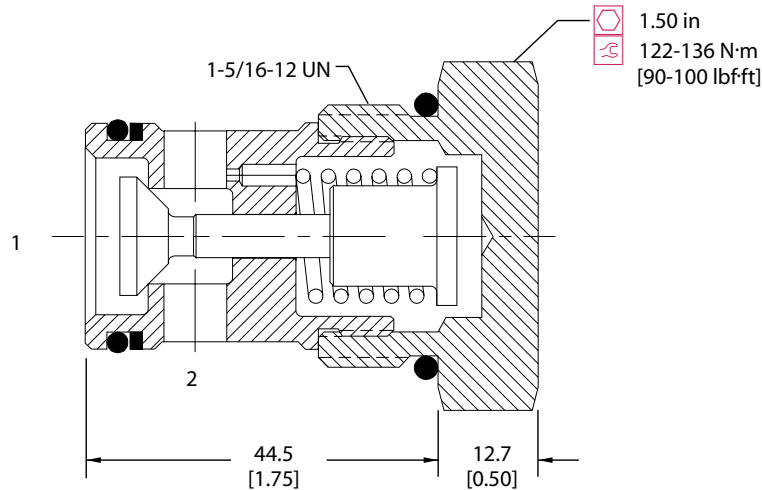
Specifications

Rated pressure	350 bar [5075 psi]
Rated flow at 7 bar 100 psi	150 l/min [40 US gal/min]
Leakage	6 drops/min @ 207 bar 3000 psi
Weight	0.26 kg [0.57 lb]
Cavity	SDC16-2

DIMENSIONS

mm in

Cross-sectional view



ORDERING INFORMATION

CP102-2-B-16S-005

Housing and ports
 0 = No Housing
 HG-6B = Al, 3/4 BSP
 HG-8B = Al, 1 BSP
 12S = Al, #12 SAE
 16S = Al, #16 SAE
 Other housings available

Seals
 B = Buna-N
 V = Viton

Seal kit
 120019
 120020

Housing P/N
 No Housing
 SDC16-2-HG-6B
 SDC16-2-HG-8B
 CP16-2-12S
 CP16-2-16S

Crack pressure
 005 = 0.34 bar [5 psi]
 015 = 1.0 bar [15 psi]
 030 = 2.1 bar [30 psi]
 050 = 3.4 bar [50 psi]
 065 = 4.5 bar [65 psi]
 100 = 6.9 bar [100 psi]