



Check Valves Technical Information

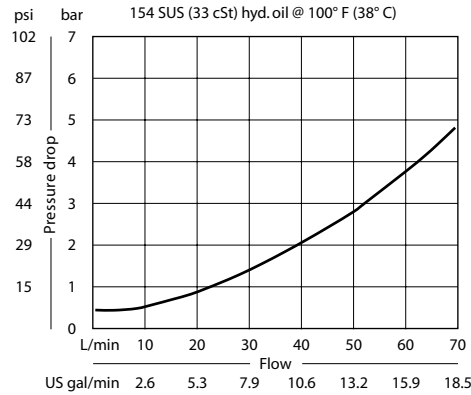
Slip-in 3C50-01

OPERATION

This valve allows free flow from 1 to 2 and blocks flow from 2 to 1.

SPECIFICATIONS

Theoretical performance



Schematic



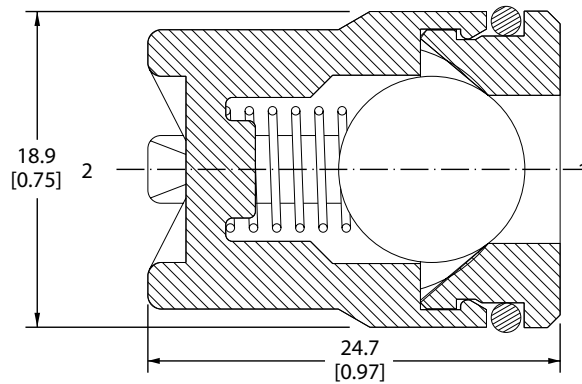
Specifications

Rated pressure	210 bar [3045 psi]
Rated flow at 7 bar 100 psi	70 l/min [19 US gal/min]
Leakage	15 drops/min @ rated pressure
Weight	0.03 kg [0.07 lb]
Cavity	FC-144

DIMENSIONS

mm in

Cross-sectional view



ORDERING INFORMATION

3C50-01-B-0-005

Crack pressure

005 = 0.34 bar [5 psi]

Housing and ports

0 = No Housing

Seals

B = Buna-N

V = Viton

Seal kit

720399

720420