



Check Valves Technical Information

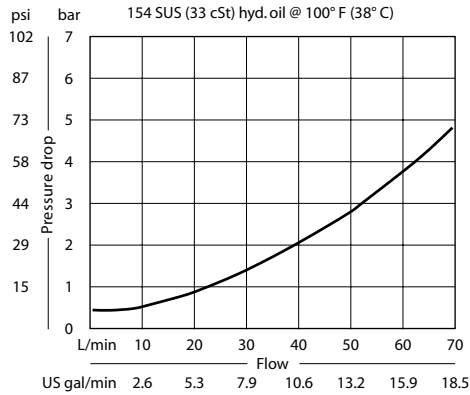
Slip-in 3C60-01

OPERATION

This valve allows free flow from 1 to 2 and blocks flow from 2 to 1. Valve uses a Delrin® seat for low leakage

SPECIFICATIONS

Theoretical performance



Schematic



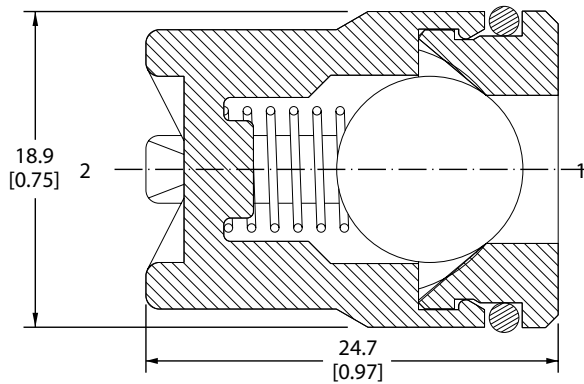
Specifications

Rated pressure	140 bar [2000 psi]
Rated flow at 7 bar 100 psi	70 l/min [19 US gal/min]
Leakage	6 drops/min @ rated pressure
Weight	0.01 kg [0.02 lb]
Cavity	FC-144

DIMENSIONS

mm in

Cross-sectional view



ORDERING INFORMATION

3C60-01-B-0-005

Crack pressure
005 = 0.34 bar [5 psi]

Housing and ports
0 = No Housing

Seals
B = Buna-N
V = Viton

Seal kit
720399
720420