



Proportional Valves Technical Information

Flow Control, Non-Compensated, Normally Closed

PSV12-NC



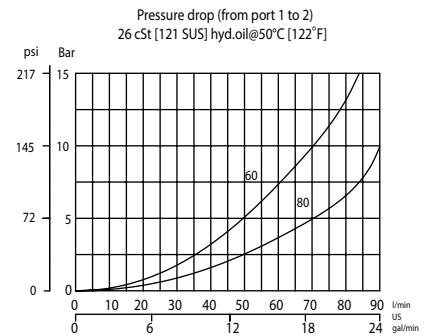
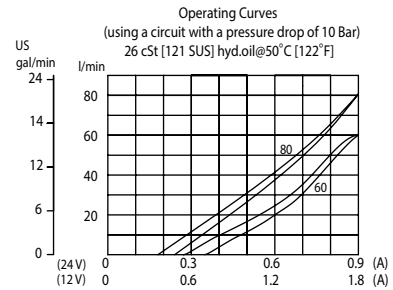
OPERATION

This is a normally-closed, direct-acting, spool-type, non-compensated, proportional flow-control. Controlled flow is from port 1 to 2.

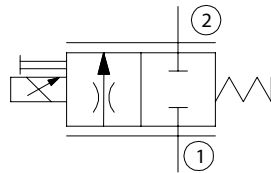
SPECIFICATIONS

Rated pressure	260 bar {3770 psi}
Maximum flow at 10 bar [145 psi]	PSV12-NC-60: 60 l/min [15.85 US gal/min] PSV12-NC-80: 80 l/min [21.13 US gal/min]
Leakage	420 cm ³ /min [25.6 in ³ /min] @ rated pressure
Weight	0.76 kg [1.68 lb]
Hysteresis	5% maximum
Threshold current	0.5 A (12 VDC coil) 0.25 A (24 VDC coil)
Maximum control current	1.8 A (12 VDC coil) 0.9 A (24 VDC coil)
Cavity	SDC12-2
Standard Coil	D14E(35W) 35 Watt

THEORETICAL PERFORMANCE



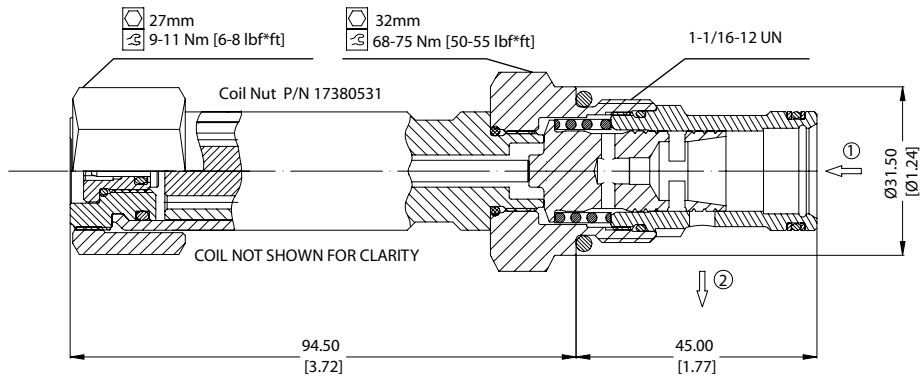
SCHEMATIC



DIMENSIONS

mm [in]

Cross-sectional view



ORDERING INFORMATION

