

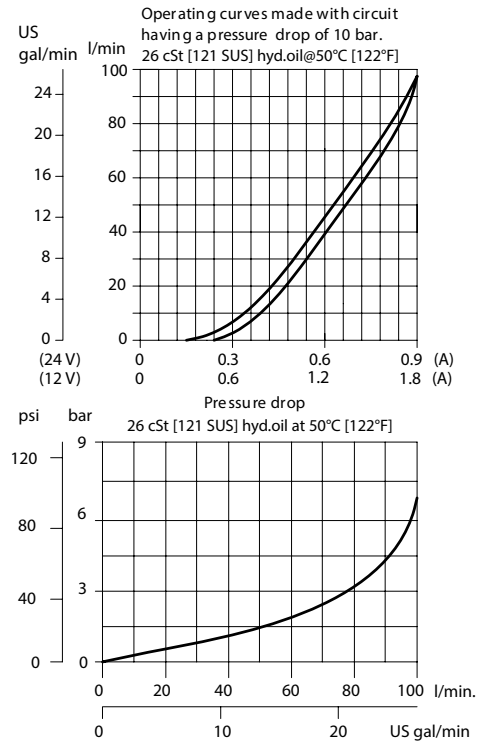
### OPERATION

This is a normally-closed, direct-acting, spool-type, non-compensated, proportional flow-control. Controlled flow is from port 1 to 2.

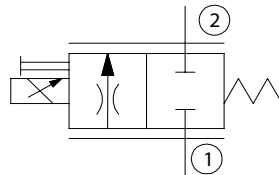
### SPECIFICATIONS

Rated pressure	260 bar [3770 psi]
Rated flow at 10 bar [145 psi]	100 l/min [26 US gal/min]
Leakage	420 cm <sup>3</sup> /min [25.6 in <sup>3</sup> /min] @ rated pressure
Weight	0.87 kg [1.92 lb]
Hysteresis	5% maximum
Threshold current	0.5 A (12 VDC coil) 0.25 A (24 VDC coil)
Maximum control current	1.8 A (12 VDC coil) 0.9 A (24 VDC coil)
Cavity	<b>SDC16-2</b>
Standard Coil	<b>D14E(35W)</b> 35 Watt

### THEORETICAL PERFORMANCE



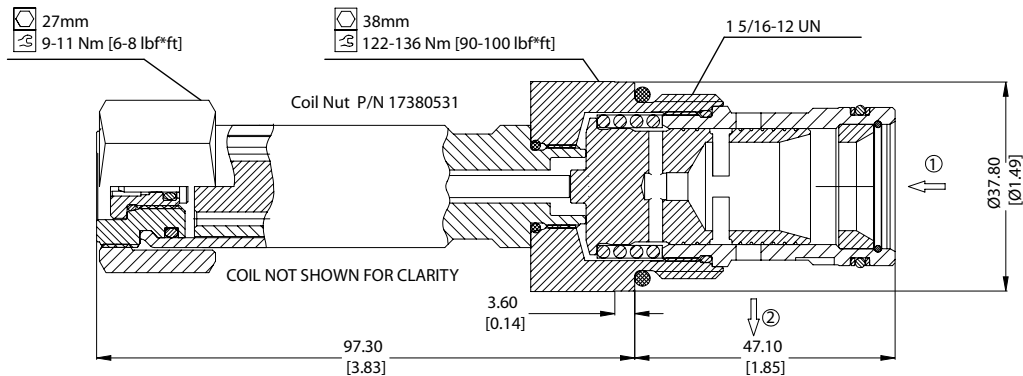
### SCHEMATIC



### DIMENSIONS

mm [in]

### Cross-sectional view



### ORDERING INFORMATION

