



# Relief Valves Technical Information

## Thermal Relief

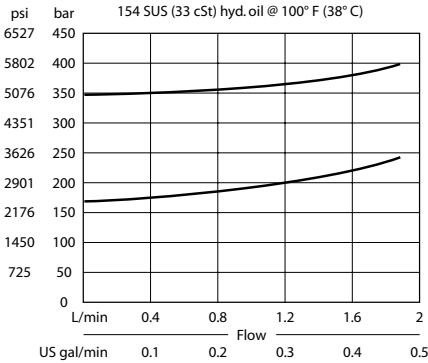
### CP208-4

### OPERATION

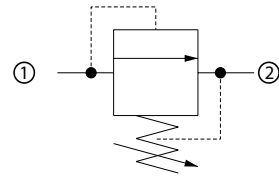
This is a direct-acting poppet type thermal relief valve that relieves from 1 to 2.

### SPECIFICATIONS

#### Theoretical performance



#### Schematic



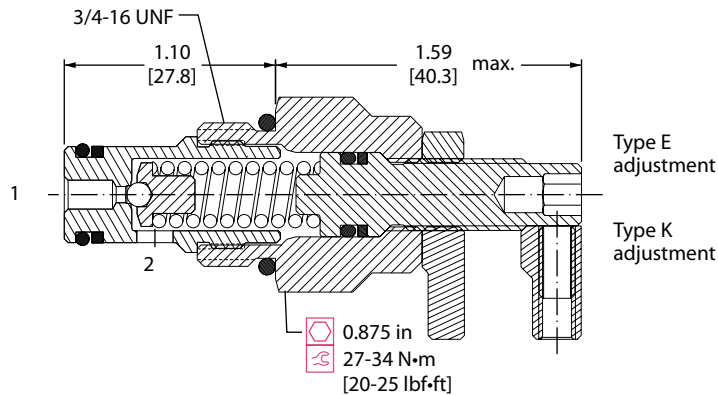
#### Specifications

|                       |  |
|-----------------------|--|
| <b>Rated pressure</b> | 415 bar [6000 psi]                     |
| <b>Rated flow</b>     | 1.1 l/min [0.3 US gal/min]             |
| <b>Leakage</b>        | 10 drops/min @ 80% of pressure setting |
| <b>Weight</b>         | 0.23 kg [0.50 lb]                      |
| <b>Cavity</b>         | SDC08-2                                |

### DIMENSIONS

mm [in]

#### Cross-sectional view



### ORDERING INFORMATION

**CP208-4-B-4S-E-C-300**

|                          |                    |                                |
|--------------------------|--------------------|--------------------------------|
| <b>Seals</b>             | Seal kits          | <b>Crack pressure</b>          |
| B = Buna-N               | 120221             | Code x 10 = psi                |
| V = Viton                | 120222             | Example: 300 = 3000 psi        |
| <b>Housing and ports</b> | <b>Housing P/N</b> | <b>Adjustment ranges</b>       |
| 0 = No Housing           | No Housing         |                                |
| DG2B = Al, 1/4 BSP       | SDC08-2-DG-2B      | A = 2-103 bar [30-1500] psi    |
| DG3B = Al, 3/8 BSP       | SDC08-2-DG-3B      | Standard 207 [1000]            |
| 4S = Al, #4 SAE          | CP08-2-4S          | B = 7-207 bar [100-3000] psi   |
| 6S = Al, #6 SAE          | CP08-2-6S          | Standard 103 [1500]            |
| Other housings available |                    | C = 69-414 bar [1000-6000] psi |
|                          |                    | Standard 207 [3000]            |
|                          |                    | <b>Adjustment options</b>      |
|                          |                    | E = External                   |
|                          |                    | K = Knob                       |