



Proportional Valves Technical Information

Flow Control, Non-Compensated, Normally Closed, Poppet Type
PSVP16-NCR



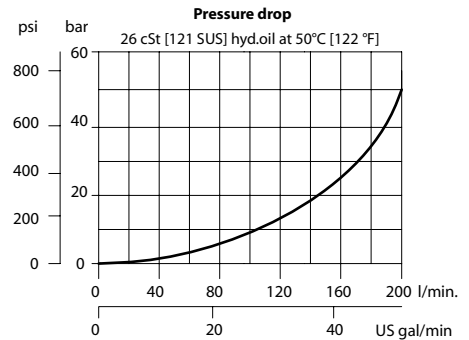
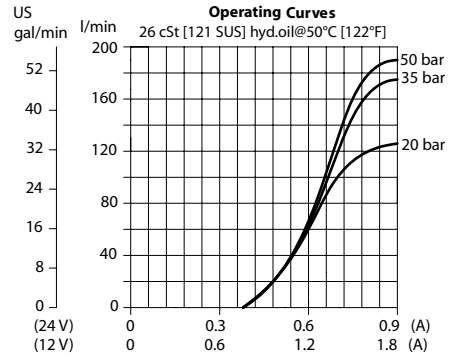
OPERATION

This is a non-compensated, normally-closed, pilot-operated, poppet-type, proportional flow-control. Controlled flow is from port 2 to 1.

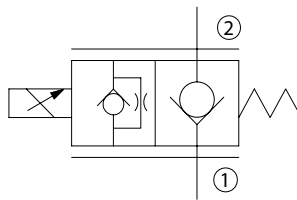
SPECIFICATIONS

Rated pressure	260 bar [3770 psi]
Rated flow at 10 bar [150 psi]	90 l/min [24 US gal/min]
Leakage	6 drops/min @ rated pressure
Weight	0.85 kg [1.87 lb]
Hysteresis	8% maximum
Cavity	SDC16-2
Standard Coil	M19P 22 Watt

THEORETICAL PERFORMANCE



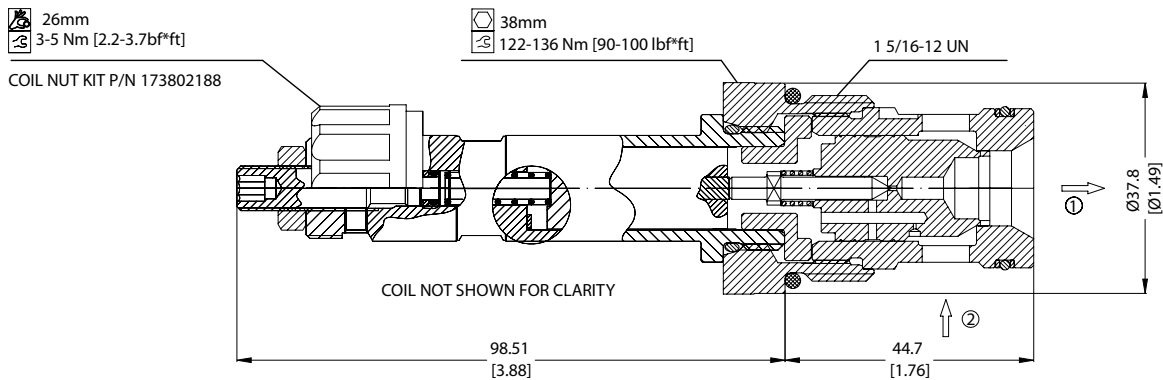
SCHEMATIC



DIMENSIONS

mm [in]

Cross-sectional view



ORDERING INFORMATION

PSVP16 - NCR - 12D - DE - B - 00

Proportional Flow Control Valve,
Non-Compensated, Poppet Type,
Normally Closed, Free Reverse Flow,
16 Size Cavity

Code	Coil Voltage
00	No Coil
12D	12V DC
24D	24 V DC

Code	Coil Termination
00	No Coil
AJ	Amp Junior
DE	Deutsch
DN	DIN 43650

Code	Seal	Seal Kit
B	Buna-N	354008719
V	Viton	354008819

Body & Ports	Body Nomenclature
00 = No housing	No Body
DG6B = AI, 3/4 BSP	SDC16-2-DG-6B
DG8B = AI, 1 BSP	SDC16-2-DG-8B
12S = AI, #12 SAE	CP16-2-12S
16S = AI, #16 SAE	CP16-2-16S
Other housings available	