



Proportional Valves Technical Information

Flow Control, Non-Compensated, Normally Closed, Poppet
PSVP10-NCR



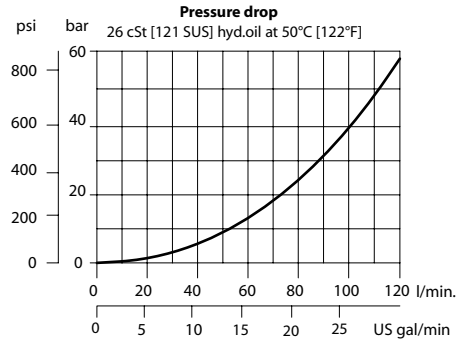
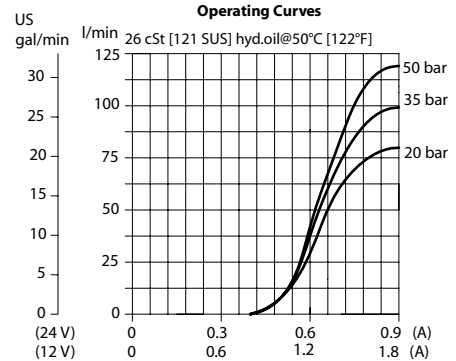
OPERATION

This is a non-compensated, normally-closed, pilot-operated, poppet-type, proportional flow-control. Controlled flow is from port 2 to 1.

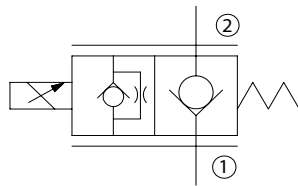
SPECIFICATIONS

Rated pressure	260 bar [3770 psi]
Rated flow at 10 bar [150 psi]	55 l/min [14 US gal/min]
Leakage	6 drops/min @ rated pressure
Weight	0.54 kg [1.19 lb]
Hysteresis	8% maximum
Threshold current	0.8 A (12 VDC coil) 0.4 A (24 VDC coil)
Maximum control current	1.8 A (12 VDC coil) 0.9 A (24 VDC coil)
Cavity	SDC10-2
Standard Coil	M19P 22 Watt

THEORETICAL PERFORMANCE



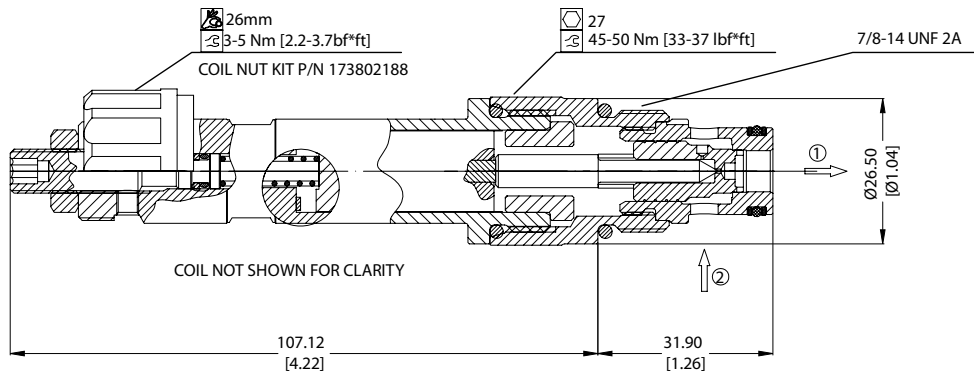
SCHEMATIC



DIMENSIONS

mm [in]

Cross-sectional view



ORDERING INFORMATION

PSVP10 - NCR - 12D - DE - B - 00

Proportional Flow Control Valve,
Non-Compensated, Poppet Type,
Normally Closed, Free Reverse Flow,
10 Size Cavity

Code	Coil Voltage
00	No Coil
12D	12V DC
24D	24 V DC

Code	Coil Termination
00	No Coil
AJ	Amp Junior
DE	Deutsch
DN	DIN 43650

Code	Seal	Seal Kit
B	Buna-N	354004019
V	Viton	354003419

Body & Ports	Body Nomenclature
00 = No housing	No Body
6S = AL, #6 SAE	CP10-2-6S
8S = AL, #8 SAE	CP10-2-8S
DG3B = AJ, 3/8 BSP	SDC10-2-DG3B
DG4B = AJ, 1/2 BSP	SDC10-2-DG4B
Other housings available	