

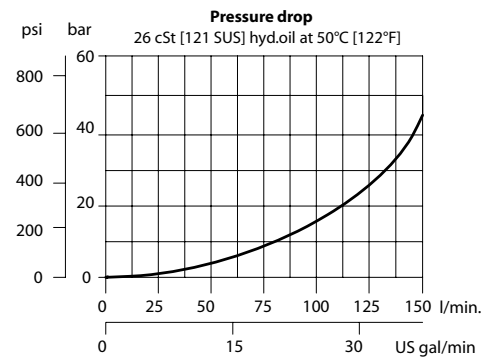
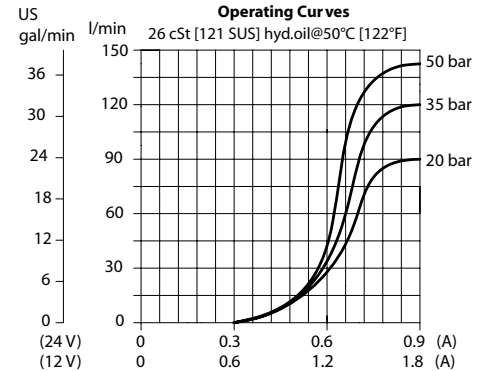
OPERATION

This is a non-compensated, normally-closed, pilot-operated, poppet-type, proportional flow-control. Controlled flow is from port 2 to 1.

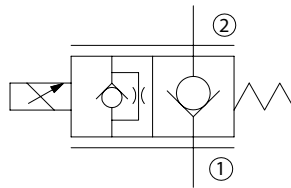
SPECIFICATIONS

Rated pressure	260 bar [3770 psi]
Rated flow at 10 bar [150 psi]	70 l/min [18 US gal/min]
Leakage	6 drops/min @ rated pressure
Weight	0.60 kg [1.32 lb]
Hysteresis	8% maximum
Cavity	SDC12-2
Standard Coil	M19P 22 Watt

THEORETICAL PERFORMANCE



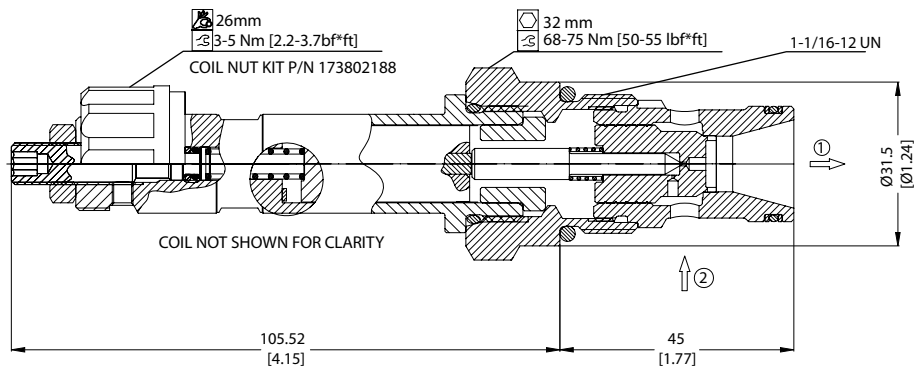
SCHEMATIC



DIMENSIONS

mm [in]

Cross-sectional view



ORDERING INFORMATION

PSVP12 - NCR - 12D - DE - B - 00

Proportional Flow Control Valve,
Non-Compensated, Poppet Type,
Normally Closed, Free Reverse Flow,
12 Size Cavity

Code	Coil Voltage
00	No Coil
12D	12V DC
24D	24 V DC

Code	Coil Termination
00	No Coil
AJ	Amp Junior
DE	Deutsch
DN	DIN 43650

Code	Seal	Seal Kit
B	Buna-N	354008319
V	Viton	354008419

Body & Ports	Body Nomenclature
00 = No housing	No Body
10S = Al, #10 SAE	CP12-2-10S
12S = Al, #12 SAE	CP12-2-12S
DG4B = Al, 1/2 BSP	SDC12-2-DG4B
DG6B = Al, 3/4 BSP	SDC12-2-DG6B
Other housings available	