

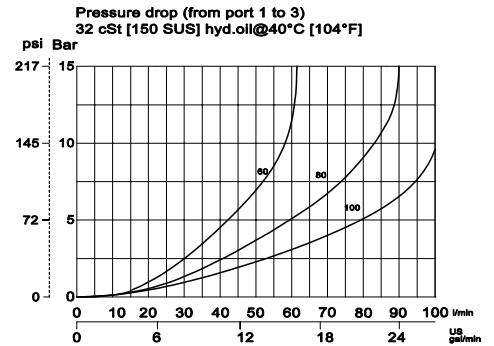
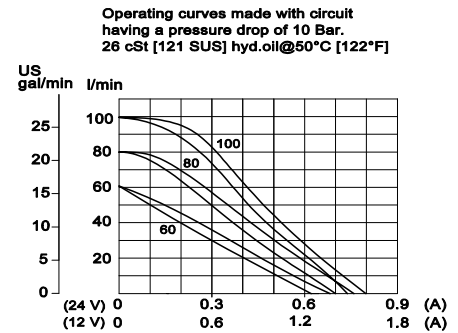
### OPERATION

This is a normally-open, direct-acting, spool-type, non-compensated, proportional flow-control. Controlled flow is from port 1 to 2.

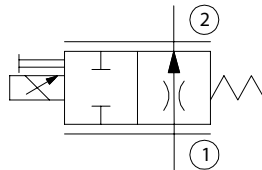
### SPECIFICATIONS

<b>Rated pressure</b>	260 bar [3770 psi]
<b>Maximum flow at 10 bar [145 psi]</b>	PSV12-NO-60: 60 l/min [15.85 US gal/min] PSV12-NO-80: 80 l/min [31.13 US gal/min] PSV12-NO-100: 100 l/min [26.41 US gal/min]
<b>Leakage</b>	420 cm <sup>3</sup> /min [25.6 in <sup>3</sup> /min] @ rated pressure
<b>Weight</b>	0.76 kg [1.68 lb]
<b>Hysteresis</b>	5% maximum
<b>Threshold current</b>	0.3 A (12 VDC coil) 0.15 A (24 VDC coil)
<b>Maximum control current</b>	1.8 A (12 VDC coil) 0.9 A (24 VDC coil)
<b>Cavity</b>	<b>SDC12-2</b>
<b>Standard Coil</b>	<b>D14E(35W)</b> 35 Watt

### THEORETICAL PERFORMANCE



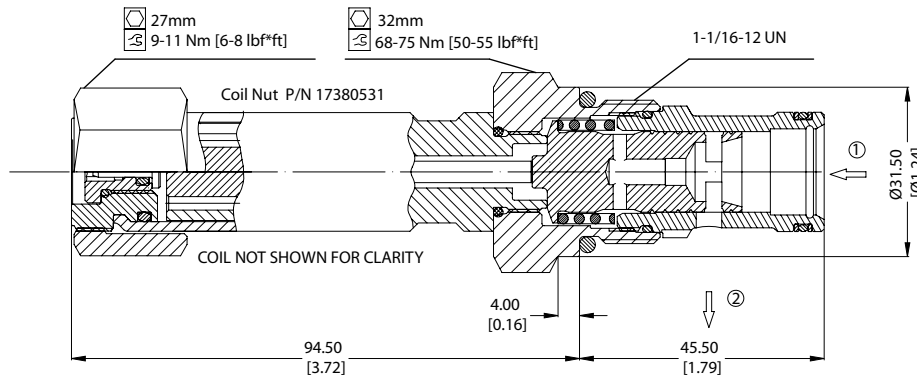
### SCHEMATIC



### DIMENSIONS

mm [in]

### Cross-sectional view



### ORDERING INFORMATION

