



Proportional Valves Technical Information

Flow Control, Non-Compensated, Normally Open

PSV16-NO



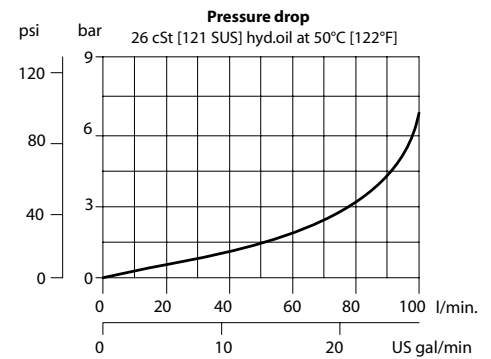
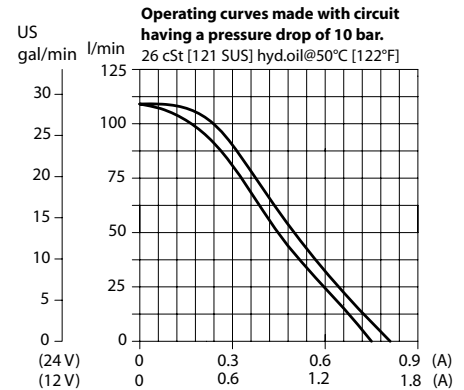
OPERATION

This is a normally-open, direct-acting, spool-type, non-compensated, proportional flow control. Controlled flow is from port 1 to 2.

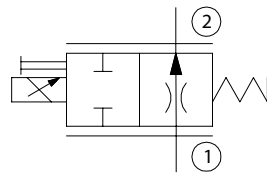
SPECIFICATIONS

Rated pressure	260 bar [3770 psi]
Rated flow at 10 bar [145 psi]	110 l/min [29 US gal/min]
Leakage	420 cm ³ /min [25.6 in ³ /min]] @ Rated pressure
Weight	0.87 kg [1.92 lb]
Hysteresis	5% maximum
Threshold current	0.3 A (12 VDC coil) 0.15 A (24 VDC coil)
Maximum control current	1.8 A (12 VDC coil) 0.9 A (24 VDC coil)
Cavity	SDC16-2
Standard Coil	D14E(35W) 35 Watt

THEORETICAL PERFORMANCE



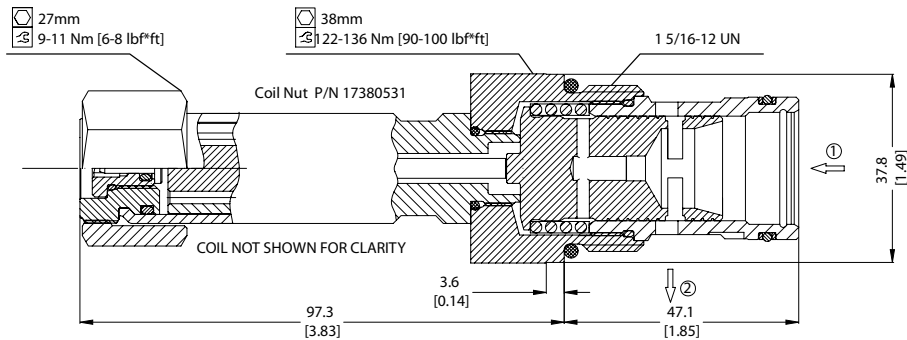
SCHEMATIC



DIMENSIONS

mm [in]

Cross-sectional view



ORDERING INFORMATION

PSV16 – NO – 110 – 12D – DE – SPS – B – 00

Proportional Flow Control Valve, Non-Compensated, Normally Open, 16 Size Cavity

Code	Max regulated flow
110	110 l/m

Code	Coil Voltage
00	No Coil
12D	12V DC
24D	24 V DC

Code	Coil Termination
00	No Coil
AJ	Amp Junior
DE	Deutsch
DN	DIN 43650

Code*	Manual Override
Omit	Push Pin (Standard)
SPS	Screw Style (Push-Type Valve)

*PB (Push-Button) available upon request

Code	Seal	Seal Kit
B	Buna-N	354008719
V	Viton	354008819

Code	Body & Ports	Body Nomenclature
00	No housing	No Body
DG6B	Al, 3/4 BSP	SDC16-2-DG-6B
DG8B	Al, 1 BSP	SDC16-2-DG-8B
12S	Al, #12 SAE	CP16-2-12S
16S	Al, #16 SAE	CP16-2-16S
	Other housings available	