



Proportional Valves Technical Information

Flow Control, Non-Compensated, Normally Open, Poppet Type
PSVP12-NOR



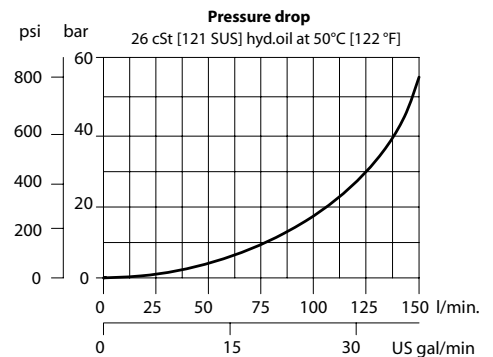
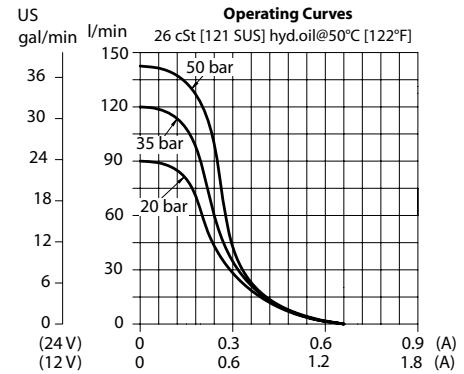
OPERATION

This is a non-compensated, normally-open, pilot-operated, poppet-type, proportional flow-control. Controlled flow is from port 2 to 1.

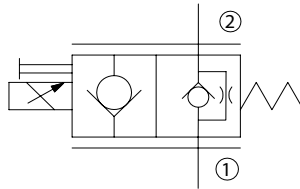
SPECIFICATIONS

| | |
|--------------------------------|------------------------------|
| Rated pressure | 260 bar [3770 psi] |
| Rated flow at 10 bar [150 psi] | 70 l/min [18 US gal/min] |
| Leakage | 6 drops/min @ Rated pressure |
| Weight | 0.60 kg [1.32 lb] |
| Hysteresis | 8% maximum |
| Cavity | SDC12-2 |
| Standard Coil | M19P 22 Watt |

THEORETICAL PERFORMANCE



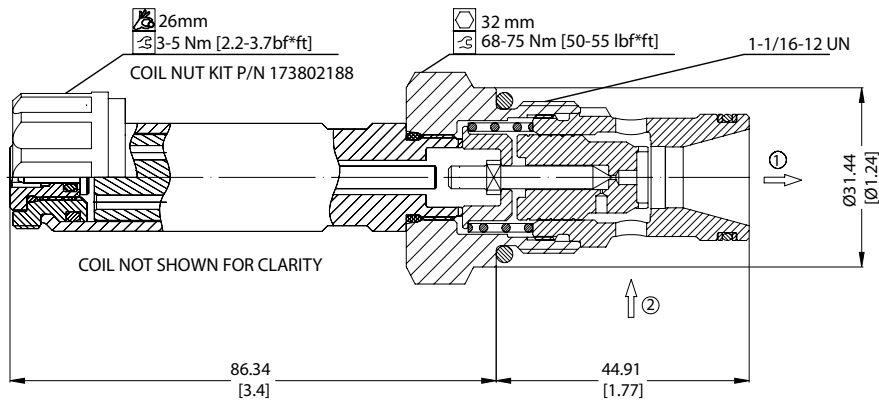
SCHEMATIC



DIMENSIONS

mm [in]

Cross-sectional view



ORDERING INFORMATION

PSVP12-NOR-12D-DE-SPS-B-00

Proportional Flow Control Valve,
Non-Compensated, Poppet Type,
Normally Open, Free Reverse Flow,
12 Size Cavity

| Code | Coil Voltage |
|------|--------------|
| 00 | No Coil |
| 12D | 12V DC |
| 24D | 24 V DC |

| Code | Coil Termination |
|------|------------------|
| 00 | No Coil |
| AJ | Amp Junior |
| DE | Deutsch |
| DN | DIN 43650 |

| Code* | Manual Override |
|-------|-------------------------------|
| Omit | Push Pin (Standard) |
| SPS | Screw Style (Push-Type Valve) |

*PB (Push-Button) available upon request

| Code | Seal | Seal Kit |
|------|--------|-----------|
| B | Buna-N | 354008319 |
| V | Viton | 354008419 |

| Body & Ports | Body Nomenclature |
|--------------------------|-------------------|
| 00 = No housing | No Body |
| 10S = Al, #10 SAE | CP12-2-10S |
| 12S = Al, #12 SAE | CP12-2-12S |
| DG4B = Al, 1/2 BSP | SDC12-2-DG4B |
| DG6B = Al, 3/4 BSP | SDC12-2-DG6B |
| Other housings available | |